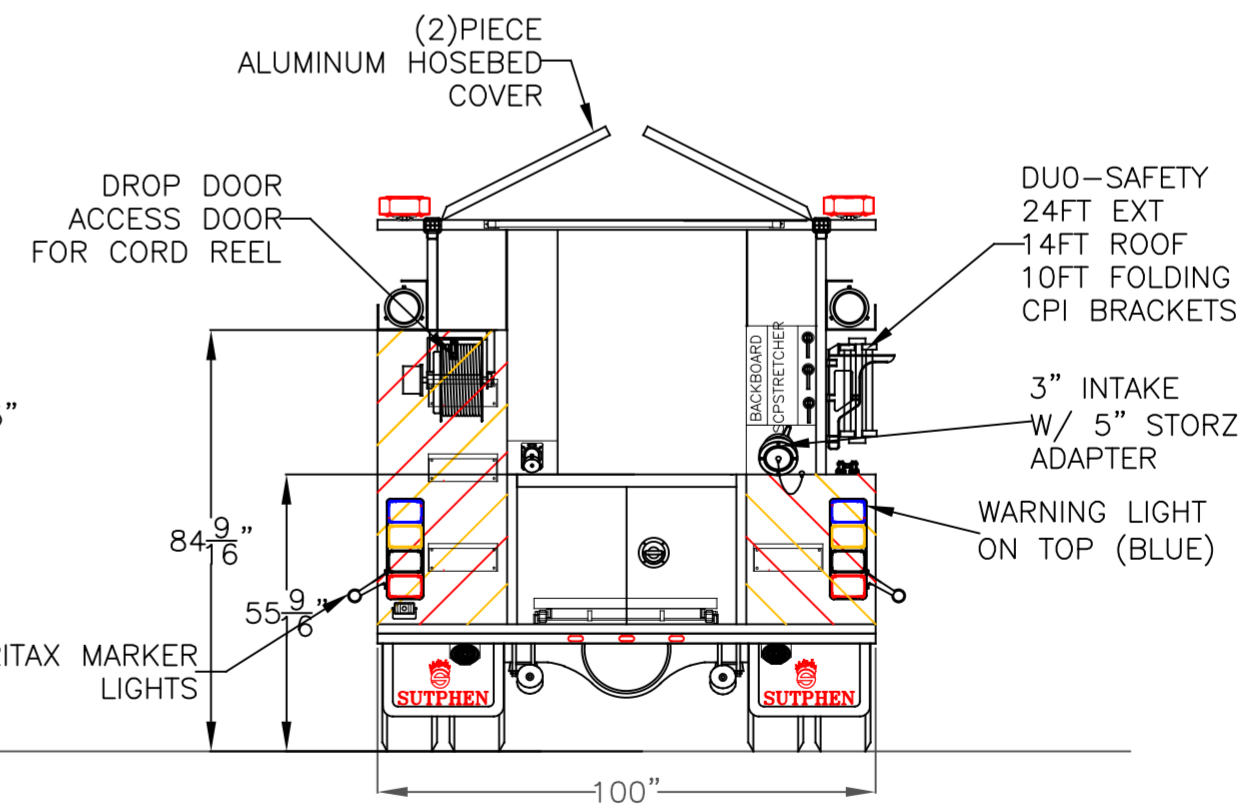
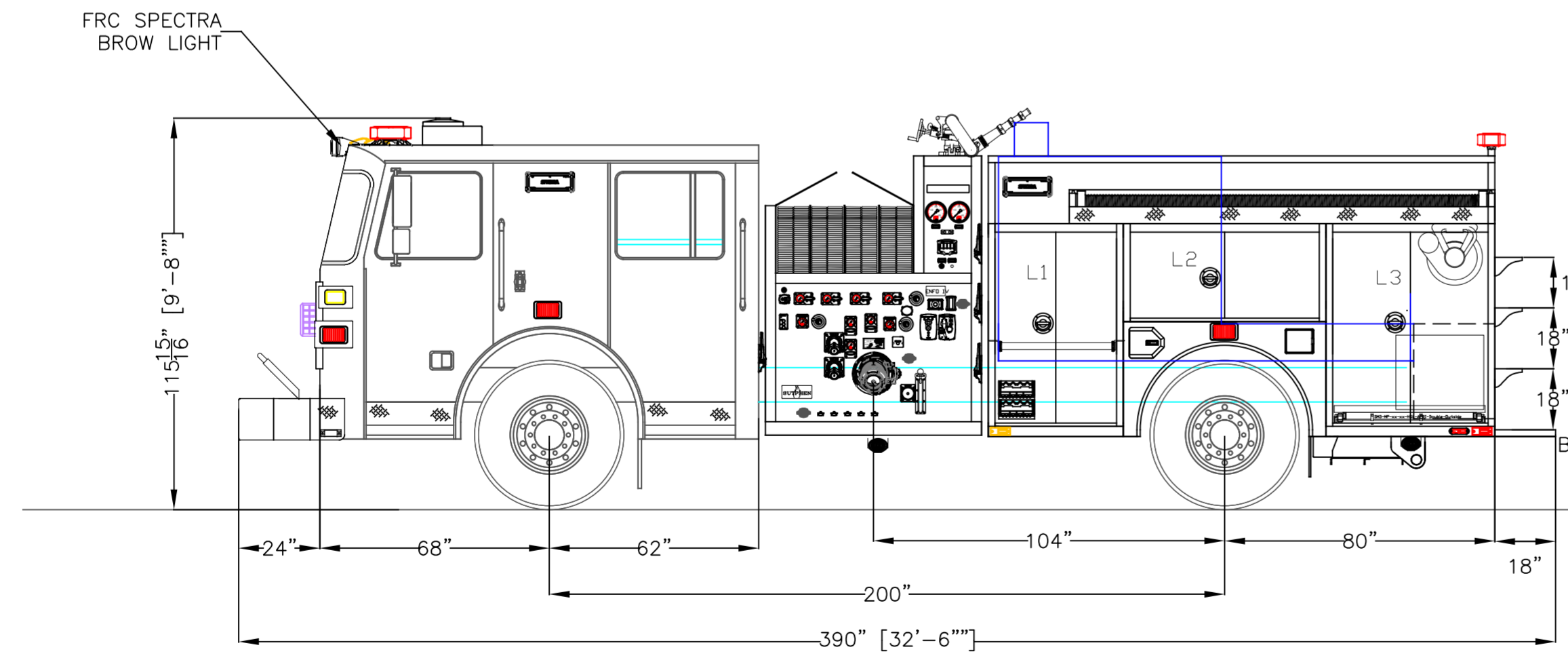


Left Side Compartmentation				
Compt	Doors	Opening Dimensions	Inside Dimensions	Volume
WxHxD				
L1	HINGE	33x49	40x59x24.25	33.1 CU FT
L2	HINGE	53x18	60x28x24.25	23.6 CU FT
L3	HINGE	43x49	50x59x24.25	41.4 CU FT
Right Side Compartmentation				
Compt	Doors	Opening Dimensions	Inside Dimensions	Volume
R1	HINGE	33x49	40x30x24.25	16.8 CU FT
R2	HINGE	43x18	50x30x24.25	21.1 CU FT
Rear Compartmentation				
Compt	Doors	Opening Dimensions	Inside Dimensions	Volume
A1	HINGE	44x26	48x30x22.25	18.2 CU FT
WATEROUS CSU-1500 GPM SINGLE STAGE 750 GALLON WATER TANK				Total Volume
				154.2 CU Ft



DIMENSIONS SHOWN ON THIS DRAWING ARE APPROXIMATE AND ARE SUBJECT TO MINOR DEVIATIONS DURING CONSTRUCTION.	CUSTOMER APPROVAL				DRAWN BY: S. DORFMAN	DATE: 11/19/2018	MFG. FACILITY: SUTPHEN EAST LAKE ARIEL, PA	SUTPHEN EAST 55 INNOVATION DRIVE LAKE ARIEL, PA 1-844-776-2889
	IN THE EVENT OF A DISCREPANCY BETWEEN THE SUTPHEN SPECIFICATIONS AND DRAWING, THE SUTPHEN SPECIFICATIONS SHALL PREVAIL.	NAME: _____	TITLE: _____	DATE: _____				
DRAWING IS FOR REFERENCE ONLY. SOME ITEMS PROPOSED MAY NOT BE SHOWN OR NOTED.	REV. _____	DESCRIPTION _____	BY _____	DATE _____	SUTPHEN EAST LAKE ARIEL, PA		UTICA FIRE DEPARTMENT UTICA, NY	
THIS PRINT IS PROVIDED ON A RESTRICTED BASIS AND IS NOT TO BE USED IN ANY WAY DETRIMENTAL TO THE INTEREST OF SUTPHEN CORPORATION.								CUSTOM STAINLESS PUMPER HS 6437 PRODUCTION DRAWING