

LEFT SIDE COMPARTMENTATION				
COMPT	DOORS	OPENING DIMENSIONS	INSIDE DIMENSIONS	VOLUME
L1	ROLL-UP	37" w X 56 7/8" h	43" w X 66" h X 27 1/4" d	40 CU. FT.
L2	ROLL-UP	57" w X 27 5/8" h	61 1/2" w X 36 1/2" h X 27 1/4" d	30 CU. FT.
L3	ROLL-UP	50" w X 56 7/8" h	53 1/2" w X 66" h X 27 1/4" d	55 CU. FT.

12" DEEP UPPER

12" DEEP UPPER

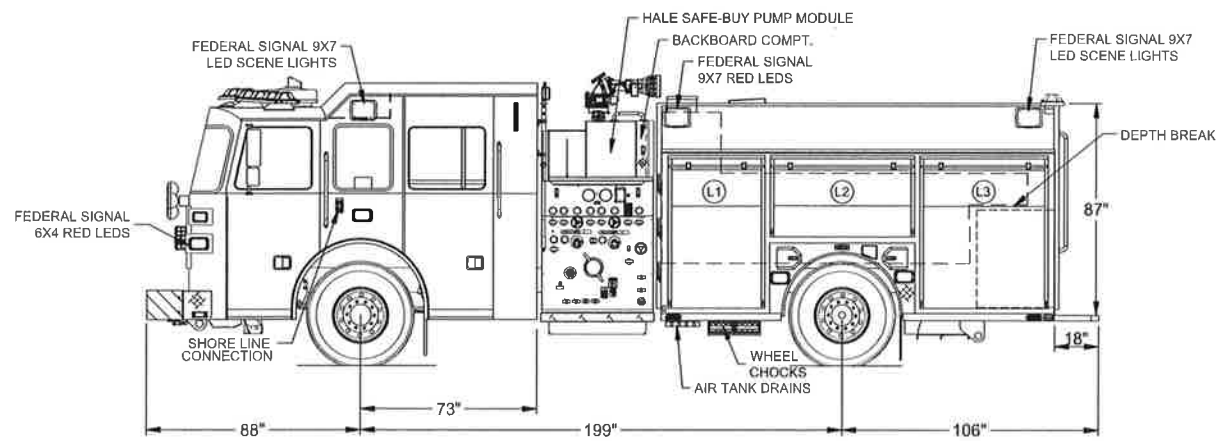
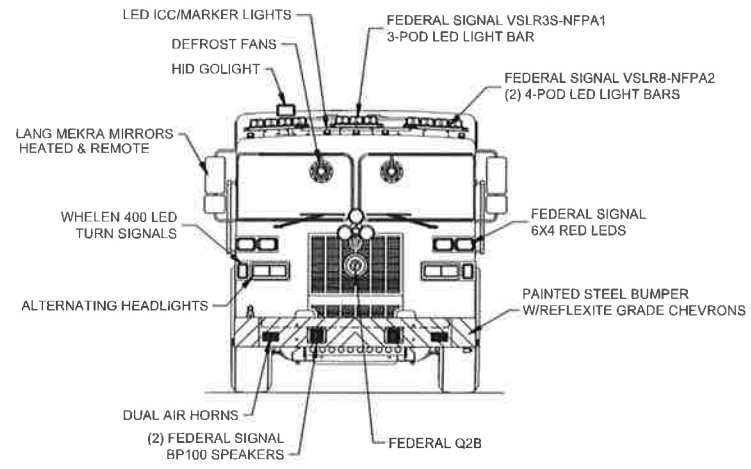
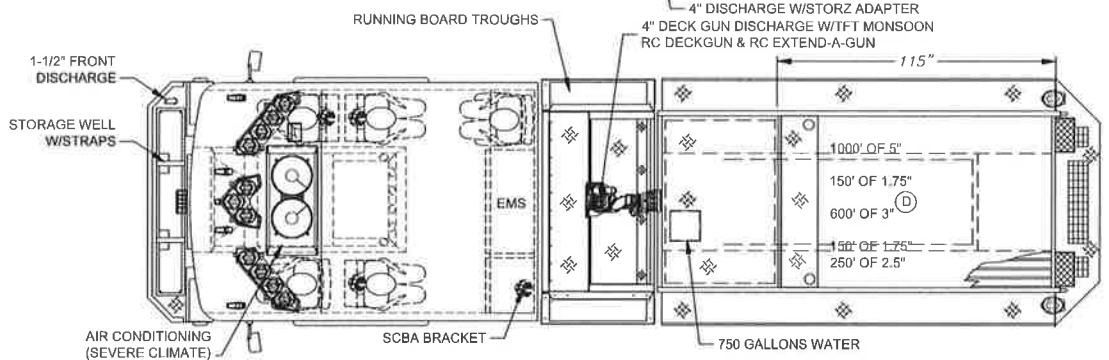
RIGHT SIDE COMPARTMENTATION				
COMPT	DOORS	OPENING DIMENSIONS	INSIDE DIMENSIONS	VOLUME
R1	ROLL-UP	37" w X 56 7/8" h	43" w X 66" h X 27 1/4" d	26 CU. FT.
R2	ROLL-UP	57" w X 21 5/8" h	61 1/2" w X 36 1/2" h X 12" d	13 CU. FT.
R3	ROLL-UP	50" w X 56 7/8" h	53 1/2" w X 66" h X 27 1/4" d	43 CU. FT.

12" DEEP UPPER

12" DEEP UPPER

REAR STEP COMPARTMENTS				
COMPT	DOORS	OPENING DIMENSIONS	INSIDE DIMENSIONS	VOLUME
A1	ROLL-UP	37 1/2" w X 28 5" h	40" w X 40" h X 30 1/2" d	23 CU. FT.

TOTAL STORAGE: 236 CU.FT.



DIMENSIONS SHOWN ON THIS DRAWING ARE APPROXIMATE AND ARE SUBJECT TO MINOR DEVIATIONS DURING CONSTRUCTION.

IN THE EVENT OF A DISCREPANCY BETWEEN THE SUTPHEN SPECIFICATIONS AND DRAWING, THE SUTPHEN SPECIFICATIONS SHALL PREVAIL.

DRAWING IS FOR REFERENCE ONLY. SOME ITEMS PROPOSED MAY NOT BE SHOWN OR NOTED.

**CUSTOMER APPROVAL**

NAME: \_\_\_\_\_

TITLE: \_\_\_\_\_

DATE: \_\_\_\_\_

REV.	DESCRIPTION	BY	DATE
D	UP DATE COMPONENT LISTING FROM MID-INSPECTION	MJC	1/31/17
C	CHANGED CALLOUT FOR SIREN SPEAKERS / SHORTENED HOSEBED AND ADJUSTED HOSE LOAD / UPDATED COMPONENT LISTING	MJC	9/16/16
B	UP DATE COMPONENT LISTING / MOVE CAB WARNING LIGHT / ADD LIGHT IN RUBRAIL	MJC	7/20/16
A	AFTER PRE-CON	MJC	6/10/16

DRAWN BY: M. CLARK

DATE: 5/16/16

MFG FACILITY: DUBLIN

**SUTPHEN**

GWINNETT CO FIRE & RESCUE  
LAWRENCEVILLE, GA (GWINNETT CO)

CUSTOM PUMPER - PA-12 BODY

115-5893 thru 5900

THIS PRINT IS PROVIDED ON A RESTRICTED BASIS AND IS NOT TO BE USED IN ANY WAY DETRIMENTAL TO THE INTERESTS OF SUTPHEN CORPORATION.