

LEFT SIDE COMPARTMENTATION				
COMPT	DOORS	INSIDE DIMENSIONS	DOOR OPENING DIMENSIONS	VOLUME
L1	ROLL-UP	40\"/>		

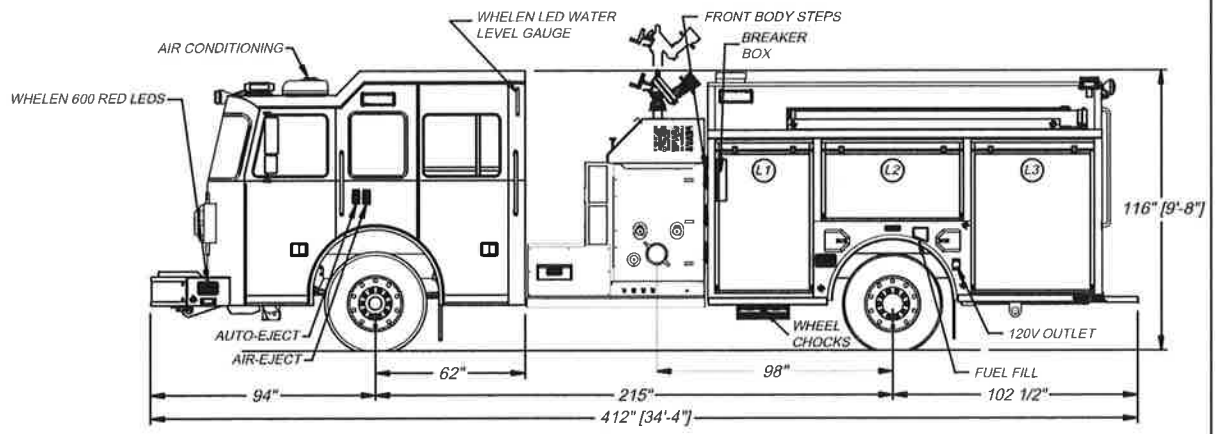
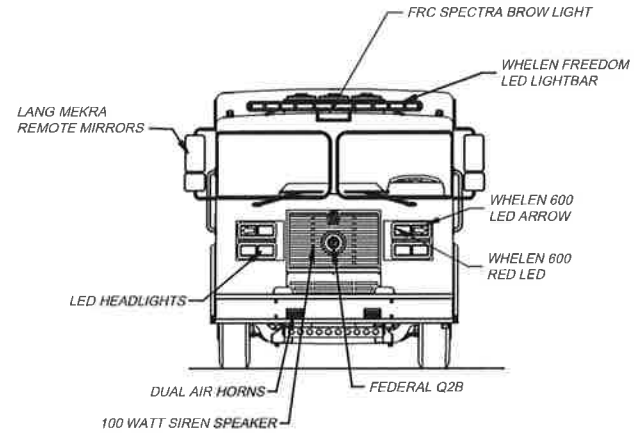
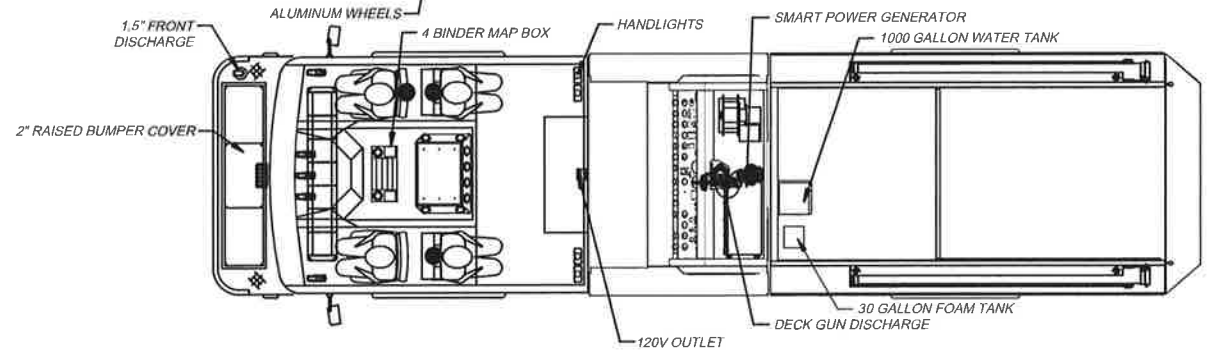
  

RIGHT SIDE COMPARTMENTATION				
COMPT	DOORS	INSIDE DIMENSIONS	DOOR OPENING DIMENSIONS	VOLUME
R1	ROLL-UP	40\"/>		

REAR STEP COMPARTMENT				
COMPT	DOORS	INSIDE DIMENSIONS	DOOR OPENING DIMENSIONS	VOLUME
A1	ROLL-UP	39 1/2\"/>		

BASE STORAGE: 252 CU. FT.



<p>DIMENSIONS SHOWN ON THIS DRAWING ARE APPROXIMATE AND ARE SUBJECT TO MINOR DEVIATIONS DURING CONSTRUCTION.</p> <p>IN THE EVENT OF A DISCREPANCY BETWEEN THE SUTPHEN SPECIFICATIONS AND DRAWING, THE SUTPHEN SPECIFICATIONS SHALL PREVAIL.</p> <p>DRAWING IS FOR REFERENCE ONLY. SOME ITEMS PROPOSED MAY NOT BE SHOWN OR NOTED.</p>	CUSTOMER APPROVAL					DRAWN BY: J HAULMAN DATE: 6/7/2016 MFG FACILITY: SPRINGFIELD	<p>Moorefield Township Fire Department Springfield, OH</p> <p>PROGRAM 1 CUSTOM PUMPER HS-5855</p>
	NAME:		B	MISC CHANGES PER SHOP ORDER	JNH	8/23/2016	
	TITLE:		A	MISC CHANGES PER SHOP ORDER	JNH	7/3/2016	
	DATE:		REV	DESCRIPTION	BY	DATE	

THIS PRINT IS PROVIDED ON A RESTRICTED BASIS AND IS NOT TO BE USED IN ANY WAY OR TRIBUTAL TO THE INTEREST OF SUTPHEN CORPORATION.