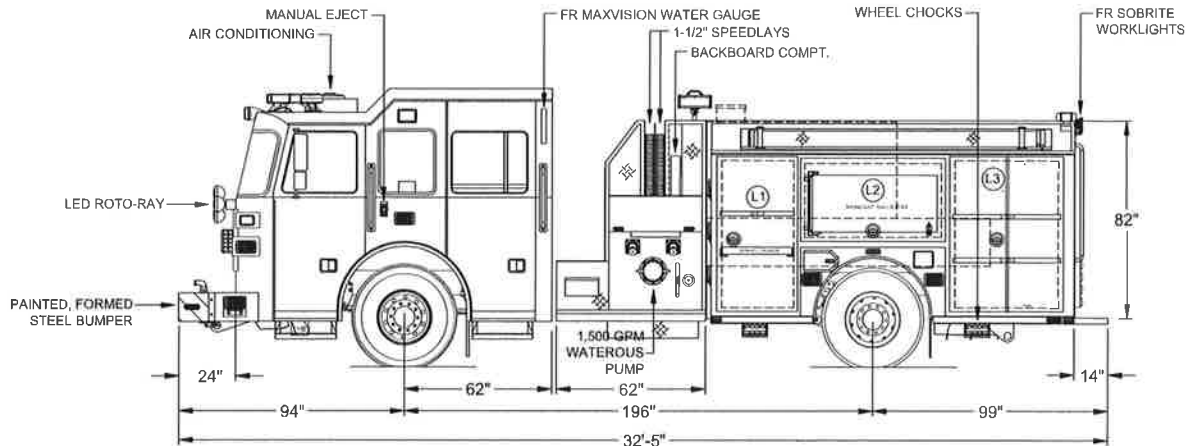
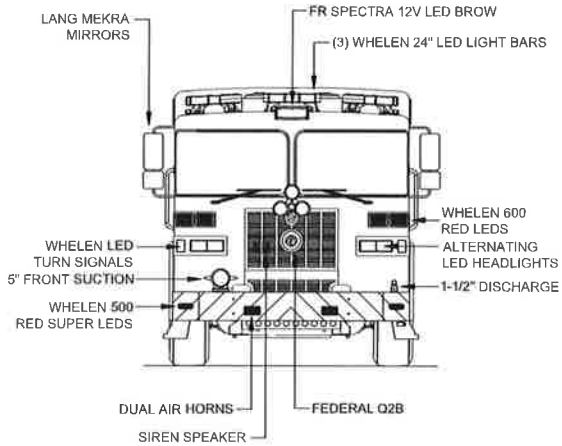
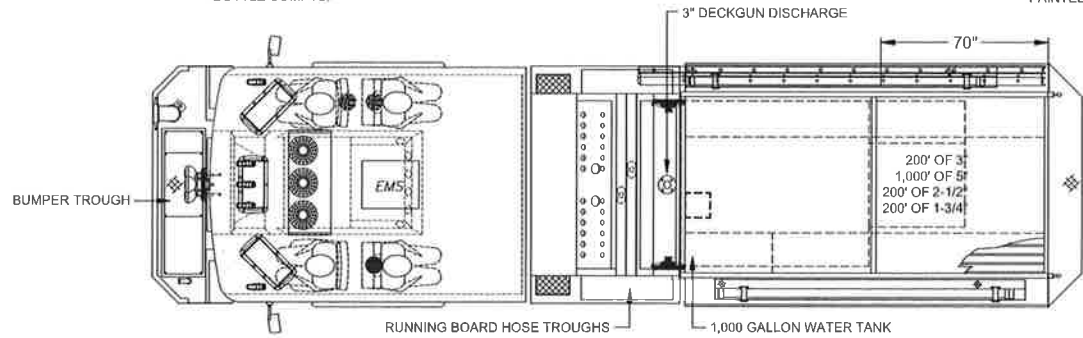


LEFT SIDE COMPARTMENTS				
COMPT	DOORS	OPENING DIMENSIONS	INSIDE DIMENSIONS	VOLUME
L1	SINGLE	29\"/>		

RIGHT SIDE COMPARTMENTS				
COMPT	DOORS	OPENING DIMENSIONS	INSIDE DIMENSIONS	VOLUME
R1	SINGLE	29\"/>		

REAR STEP COMPARTMENTS				
COMPT	DOORS	OPENING DIMENSIONS	INSIDE DIMENSIONS	VOLUME
A1	DOUBLE	37\"/>		

TOTAL STORAGE: 179.8 CU FT.



DIMENSIONS SHOWN ON THIS DRAWING ARE APPROXIMATE AND ARE SUBJECT TO MINOR DEVIATIONS DURING CONSTRUCTION.

IN THE EVENT OF A DISCREPANCY BETWEEN THE SUTPHEN SPECIFICATIONS AND DRAWING, THE SUTPHEN SPECIFICATIONS SHALL PREVAIL.

DRAWING IS FOR REFERENCE ONLY. SOME ITEMS PROPOSED MAY NOT BE SHOWN OR NOTED.

CUSTOMER APPROVAL

NAME: _____

TITLE: _____

DATE: _____

E	POST-PRODUCTION REVISION TO REFLECT FINAL PRODUCT	RM	01/24/17	@DRAWING
D	MID-INSPECTION CHANGES	RM	10/25/16	R MILLER
C	CHANGED TO APPROPRIATE ALTERNATOR ; MOVED LOCATION OF HD STERED	RM	08/06/16	DATE
B	52" AF # ; CALL-OUT FOR SWITCHES IN OVERHEAD POS 1 ; SPECIFIC PUMP PANEL LIGHTS	RM	08/04/16	DATE
REV.	DESCRIPTION	BY	DATE	DUBLIN

02/15/2016
MFG FACILITY
DUBLIN

SUTPHEN
BARGERSVILLE FIRE DEPARTMENT
BARGERSVILLE, IN
CUSTOM PUMPER - PS-08 COLUMBUS BODY
2013 50 HS-5841-42