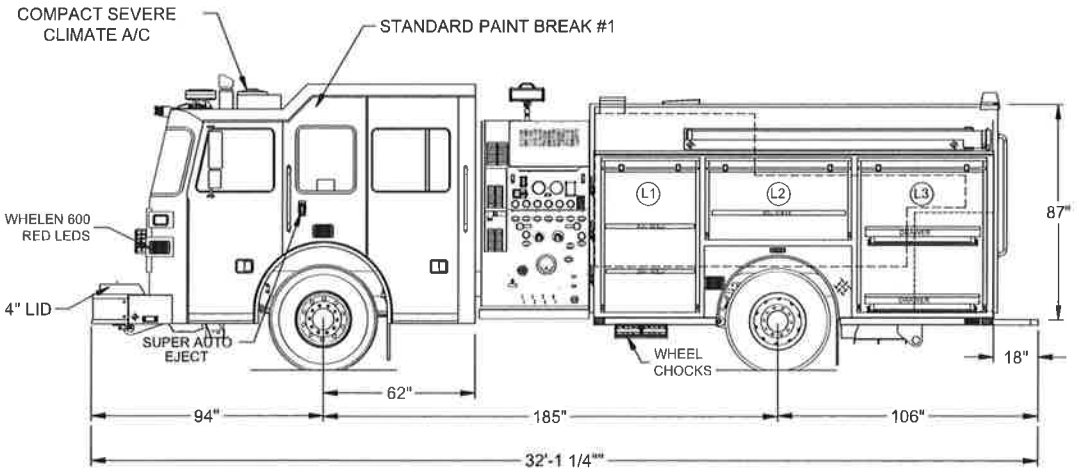
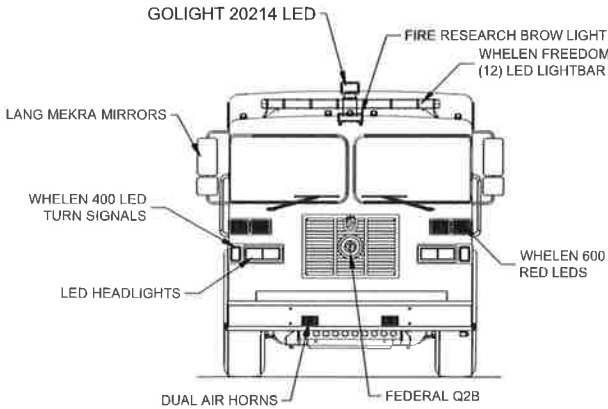
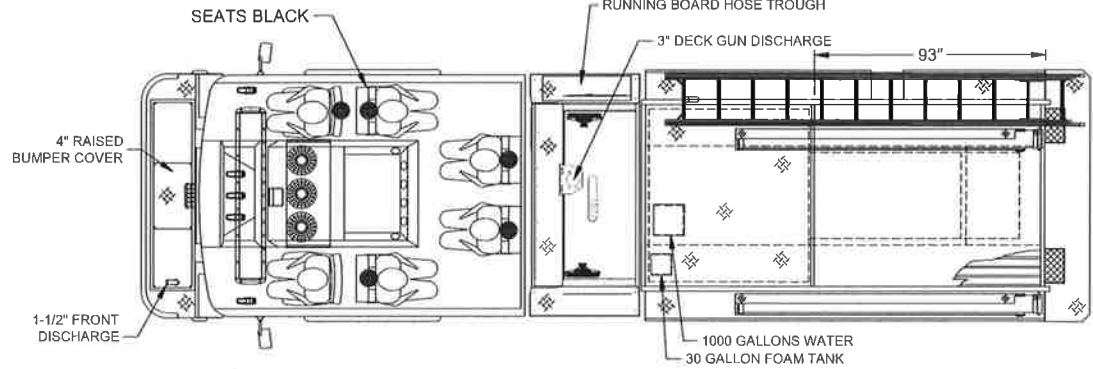


LEFT SIDE COMPARTMENTATION				
COMPT	DOORS	OPENING DIMENSIONS	INSIDE DIMENSIONS	VOLUME
L1	ROLL-UP	37" W X 56 7/8" H	43" W X 66" H X 27 1/4" D	40 CU. FT.
L2	ROLL-UP	57" W X 27 5/8" H	61 1/2" W X 38 1/2" H X 27 1/4" D	30 CU. FT.
L3	ROLL-UP	50" W X 56 7/8" H	53 1/2" W X 66" H X 27 1/4" D	55 CU. FT.

RIGHT SIDE COMPARTMENTATION				
COMPT	DOORS	OPENING DIMENSIONS	INSIDE DIMENSIONS	VOLUME
R1	ROLL-UP	37" W X 56 7/8" H	43" W X 66" H X 27 1/4" D	40 CU. FT.
R2	ROLL-UP	39 1/2" W X 27 5/8" H	44" W X 35 1/2" H X 27 1/4" D	25 CU. FT.
R3	ROLL-UP	50" W X 56 7/8" H	53 1/2" W X 66" H X 27 1/4" D	55 CU. FT.

REAR STEP COMPARTMENTS				
COMPT	DOORS	OPENING DIMENSIONS	INSIDE DIMENSIONS	VOLUME
A1	ROLL-UP	37 1/2" W X 31" H	40" W X 40" H X 30 1/2" D	27 CU. FT.

TOTAL: 272 CU. FT.



DIMENSIONS SHOWN ON THIS DRAWING ARE APPROXIMATE AND ARE SUBJECT TO MINOR DEVIATIONS DURING CONSTRUCTION.

IN THE EVENT OF A DISCREPANCY BETWEEN THE SUTPHEN SPECIFICATIONS AND DRAWING, THE SUTPHEN SPECIFICATIONS SHALL PREVAIL.

DRAWING IS FOR REFERENCE ONLY. SOME ITEMS PROPOSED MAY NOT BE SHOWN OR NOTED.

CUSTOMER APPROVAL

NAME: _____

TITLE: _____

DATE: _____

REV.	DESCRIPTION	BY	DATE

DRAWN BY
MPHELPS

DATE
12/1/2012

MFG FACILITY
DUBLIN

DEMO 420

CUSTOM PUMPER - S3 BODY

999 NO: H9-5739