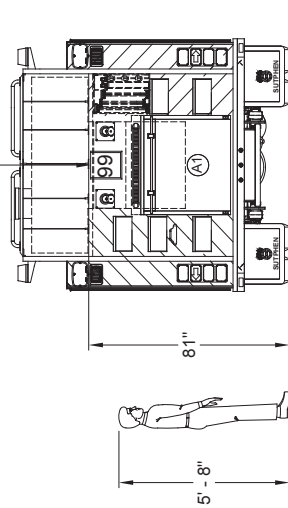
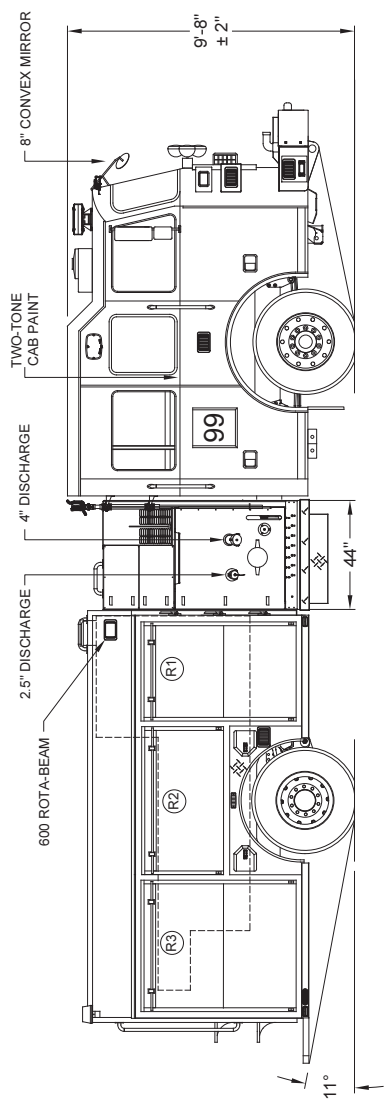


(4) NUMBER PLATES



LADDER CHUTE

- (1) 24' 2-SECT
- (1) 14' ROOF
- (1) BACKBOARD STORAGE
- (3) PIKE POLE TUBES
- (1) 10' FOLDING

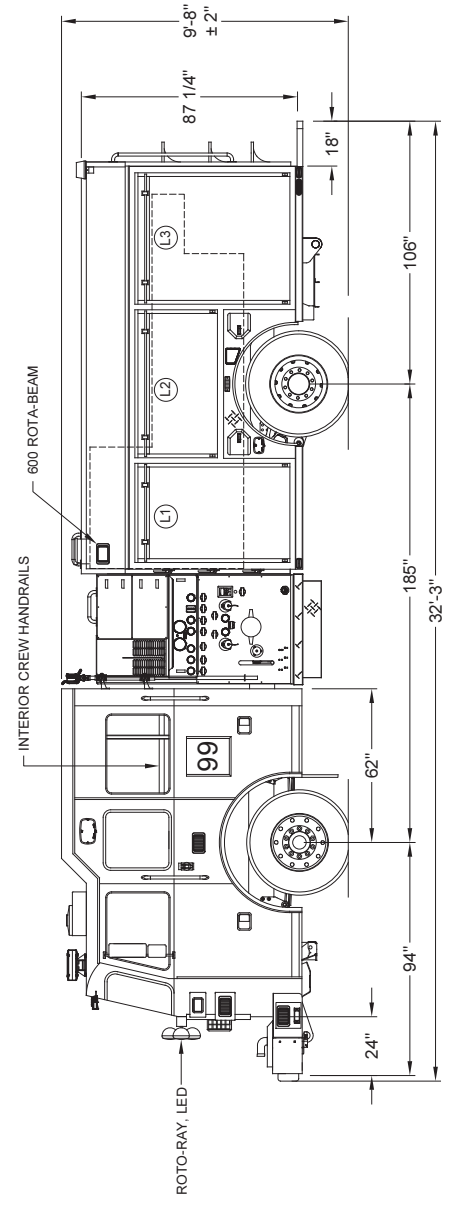
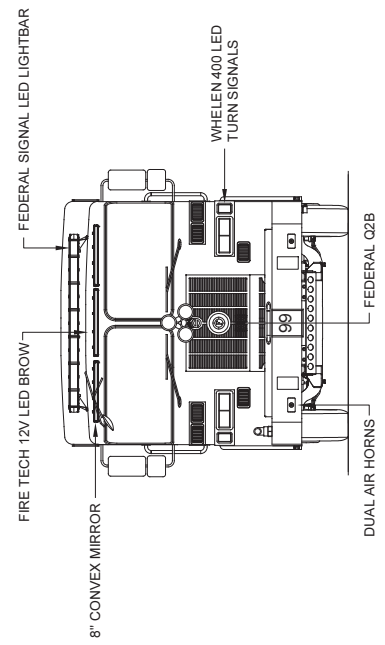
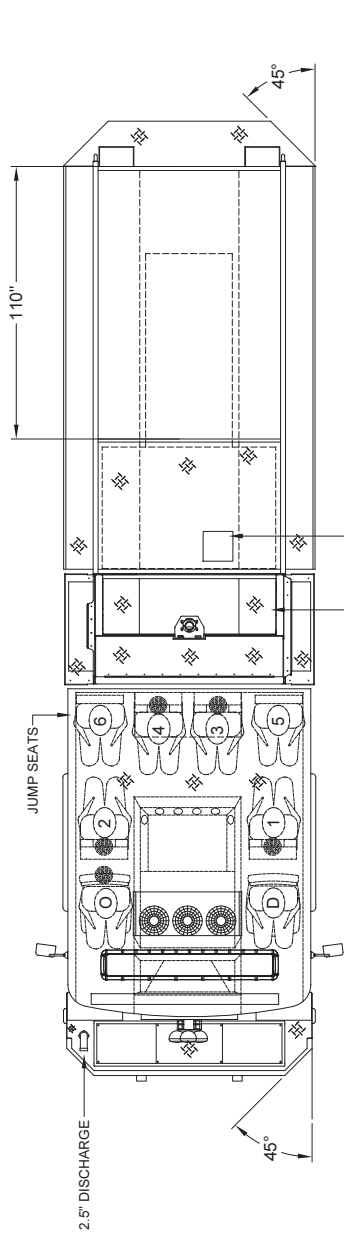


COMPT	DOORS	ROLL-UP	OPENING DIMENSIONS	INSIDE DIMENSIONS	VOLUME
L1	ROLL-UP	37"W X 56" H	43"W X 66"H X 27" L	43"W X 66"H X 27" L	42.2 CU. FT.
L2	ROLL-UP	57"W X 27" H	61" L X 36" W X 12" H	61" L X 36" W X 12" H	32.1 CU. FT.
L3	ROLL-UP	50"W X 56" H	53" L X 56" W X 27" H	53" L X 56" W X 27" H	52.5 CU. FT.
H1	LIFT-UP	50"W X 56" H	162" L X 26" H	162" L X 26" H	51.1 CU. FT.

COMPT	DOORS	ROLL-UP	OPENING DIMENSIONS	INSIDE DIMENSIONS	VOLUME
R1	ROLL-UP	37"W X 56" H	43"W X 66"H X 27" L	43"W X 66"H X 27" L	33.7 CU. FT.
R2	ROLL-UP	57"W X 27" H	61" L X 36" W X 12" H	61" L X 36" W X 12" H	18.6 CU. FT.
R3	ROLL-UP	50"W X 56" H	53" L X 56" W X 27" H	53" L X 56" W X 27" H	41.6 CU. FT.
H2	LIFT-UP	50"W X 56" H	162" L X 26" H	162" L X 26" H	51.1 CU. FT.

COMPT	DOORS	ROLL-UP	OPENING DIMENSIONS	INSIDE DIMENSIONS	VOLUME
A1	ROLL-UP	37" L X 51" W	46" L X 40" W X 30" H	46" L X 40" W X 30" H	27 CU. FT.

TOTAL STORAGE: 349.9 CU.FT.



SUTPHEN CORPORATION
FIRE APPARATUS - SINCE 1890
6450 EITERMAN ROAD DUBLIN, OH 43016

CITY OF SAVANNAH
SAVANNAH, GA
CUSTOM PLUMBER
HS-5312-13

MC	01/28/19	ADDED MISSING 2.5" INLET ON RIGHT SIDE / COMPONENT REPORT UPDATED
JM	10/21/18	DUAL HEADLIGHT HOUSINGS
JM	09/04/18	REVA SHOP ORDER
BY	DATE	DESCRIPTION
JM	11/09/17	THIS PRINT IS PROVIDED ON A RESTRICTED BASIS AND IS NOT TO BE USED IN ANY WAY DETRIMENTAL TO THE INTEREST OF SUTPHEN CORPORATION.

CUSTOMER APPROVAL

NAME: _____

TITLE: _____

DATE: _____

DIMENSIONS SHOWN ON THIS DRAWING ARE APPROXIMATE AND ARE SUBJECT TO MINOR DEVIATIONS DURING CONSTRUCTION. IN THE EVENT OF A DISCREPANCY BETWEEN THE SPECIFICATIONS AND DRAWING, THE SUTPHEN SPECIFICATIONS SHALL PREVAIL. DRAWING IS FOR REFERENCE ONLY. SOME ITEMS PROPOSED MAY NOT BE SHOWN OR NOTED.