

LEFT SIDE COMPARTMENTATION				
COMPT	DOORS	OPENING DIMENSIONS	INSIDE DIMENSIONS	VOLUME
L1	ROLL-UP	37" W X 56 7/8" H	43" W X 66" H X 27 1/4" D	40 CU. FT.
L2	ROLL-UP	57" W X 27 5/8" H	61 1/2" W X 36 1/2" H X 27 1/4" D	30 CU. FT.
L3	ROLL-UP	50" W X 56 7/8" H	56" W X 66" H X 27 1/4" D	52 CU. FT.

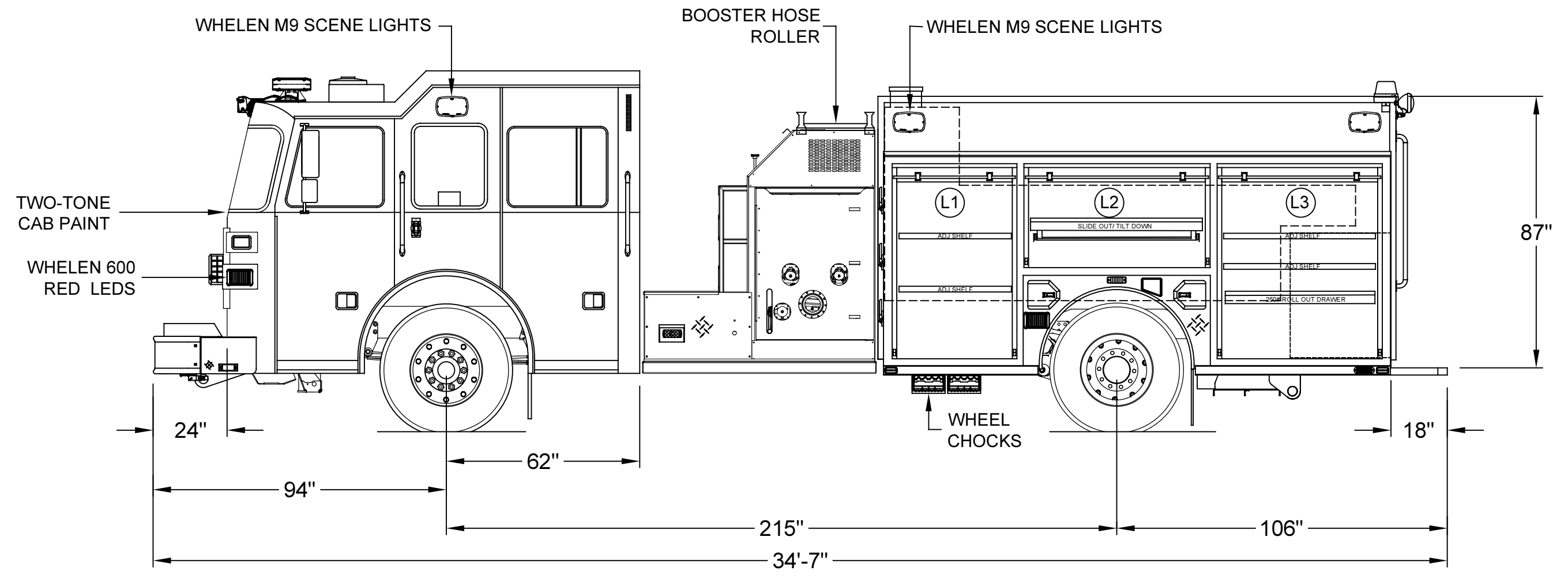
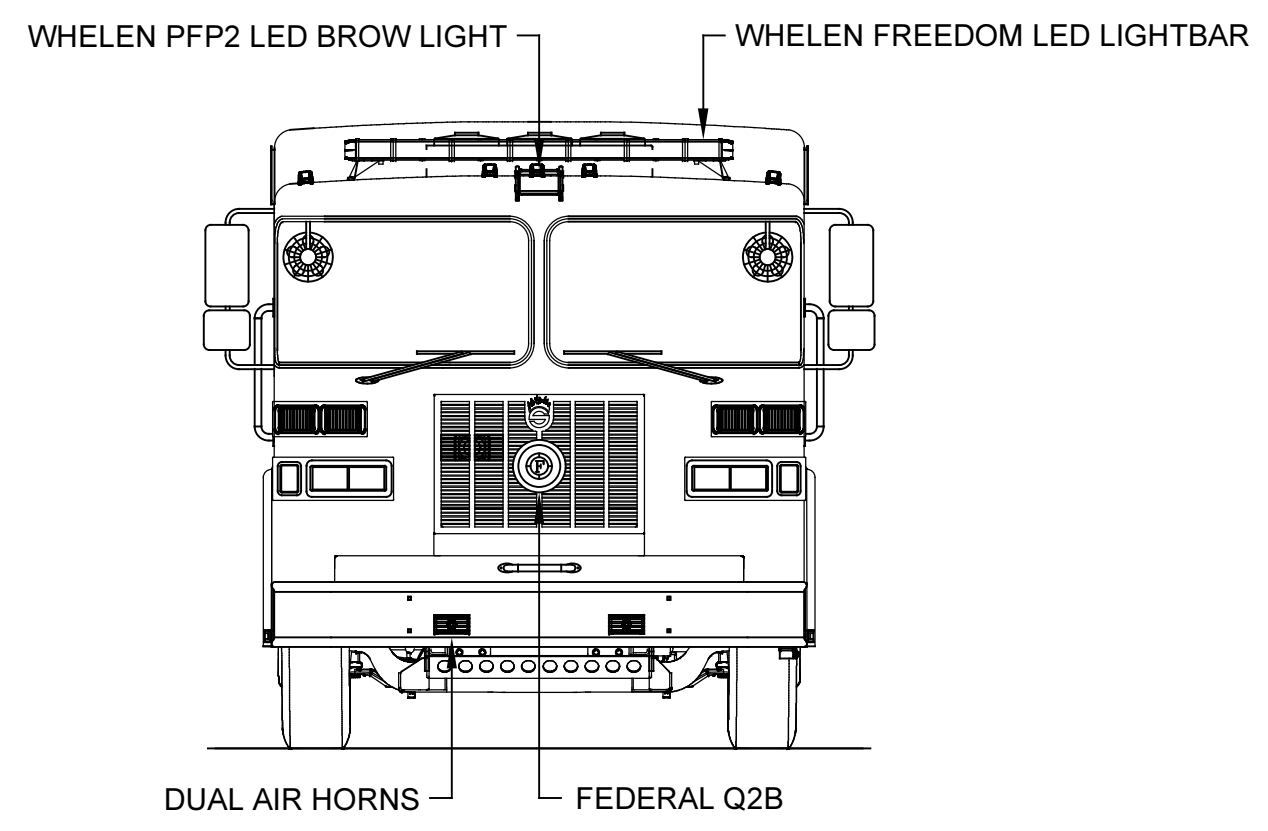
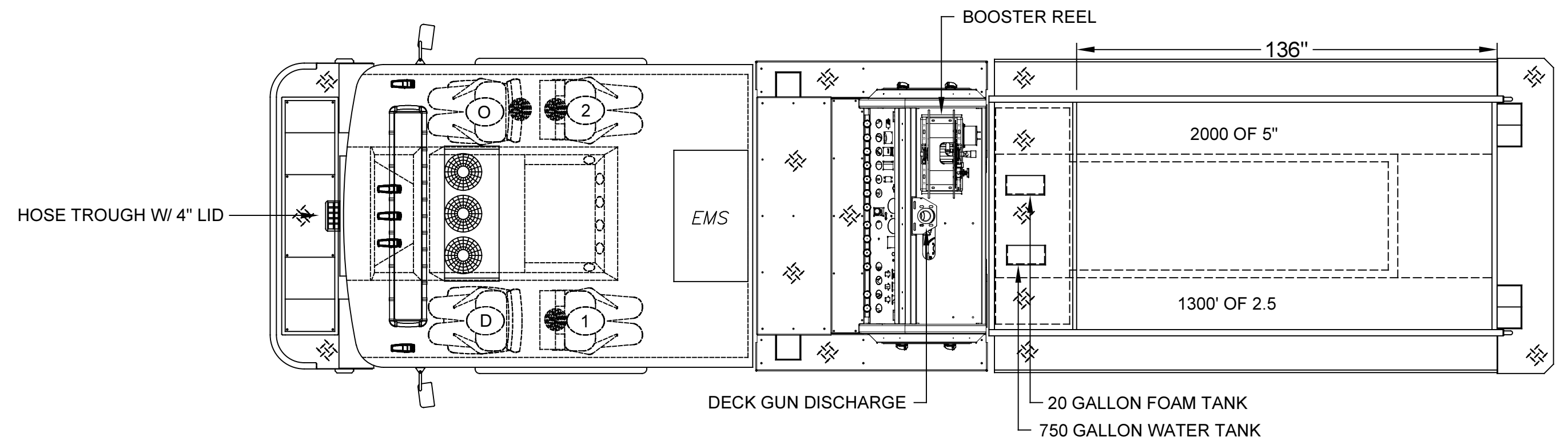
  

RIGHT SIDE COMPARTMENTATION				
COMPT	DOORS	OPENING DIMENSIONS	INSIDE DIMENSIONS	VOLUME
R1	ROLL-UP	37" W X 56 7/8" H	43" W X 66" H X 27 1/4" D (10 1/2" D UPPER)	26 CU. FT.
R2	ROLL-UP	57" W X 27 5/8" H	61 1/2" W X 36 1/2" H X 10 1/2" D	13 CU. FT.
R3	ROLL-UP	50" W X 56 7/8" H	56" W X 66" H X 27 1/4" D (10 1/2" D UPPER)	34 CU. FT.

REAR STEP COMPARTMENTS				
COMPT	DOORS	OPENING DIMENSIONS	INSIDE DIMENSIONS	VOLUME
A1	ROLL-UP	37 1/2" W X 31" H	40" H X 40" W X 29 1/2" D	27 CU. FT.

TOTAL: 222 CU. FT.



DIMENSIONS SHOWN ON THIS DRAWING ARE APPROXIMATE AND ARE SUBJECT TO MINOR DEVIATIONS DURING CONSTRUCTION.

IN THE EVENT OF A DISCREPANCY BETWEEN THE SUTPHEN SPECIFICATIONS AND DRAWING, THE SUTPHEN SPECIFICATIONS SHALL PREVAIL.

DRAWING IS FOR REFERENCE ONLY. SOME ITEMS PROPOSED MAY NOT BE SHOWN OR NOTED.

**CUSTOMER APPROVAL**

NAME: \_\_\_\_\_

TITLE: \_\_\_\_\_

DATE: \_\_\_\_\_

REV.	DESCRIPTION	BY	DATE
B	REV-B-SHOP-ORDER	JM	10/16/17

THIS PRINT IS PROVIDED ON A RESTRICTED BASIS AND IS NOT TO BE USED IN ANY WAY DETRIMENTAL TO THE INTEREST OF SUTPHEN CORPORATION.

DRAWN BY:  
J.MORGAN

DATE:  
06/24/17

MFG. FACILITY:  
DUBLIN



**CITY OF PORT HURON FIRE DEPARTMENT  
PORT HURON, MI**

CUSTOM PUMPER - S2 BODY

DWG. NO.: HS-6092