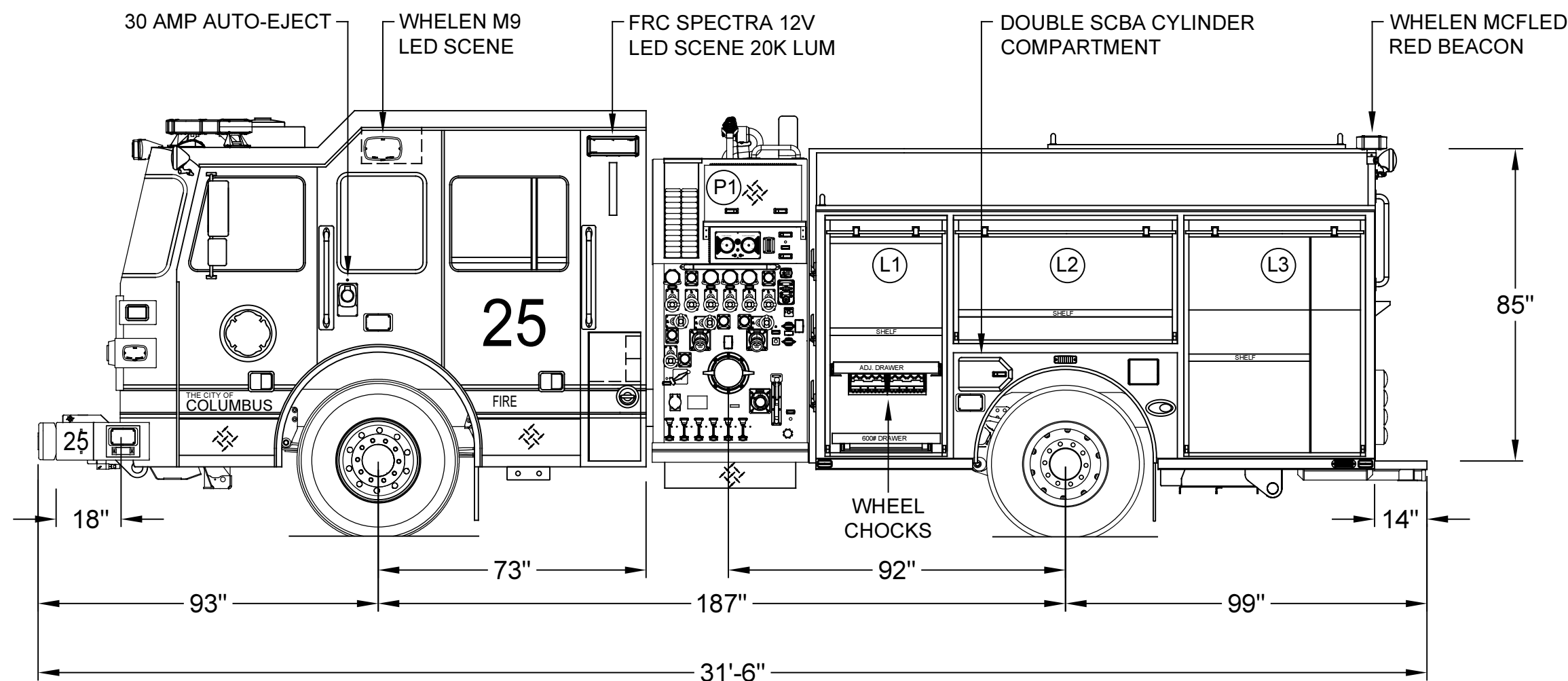
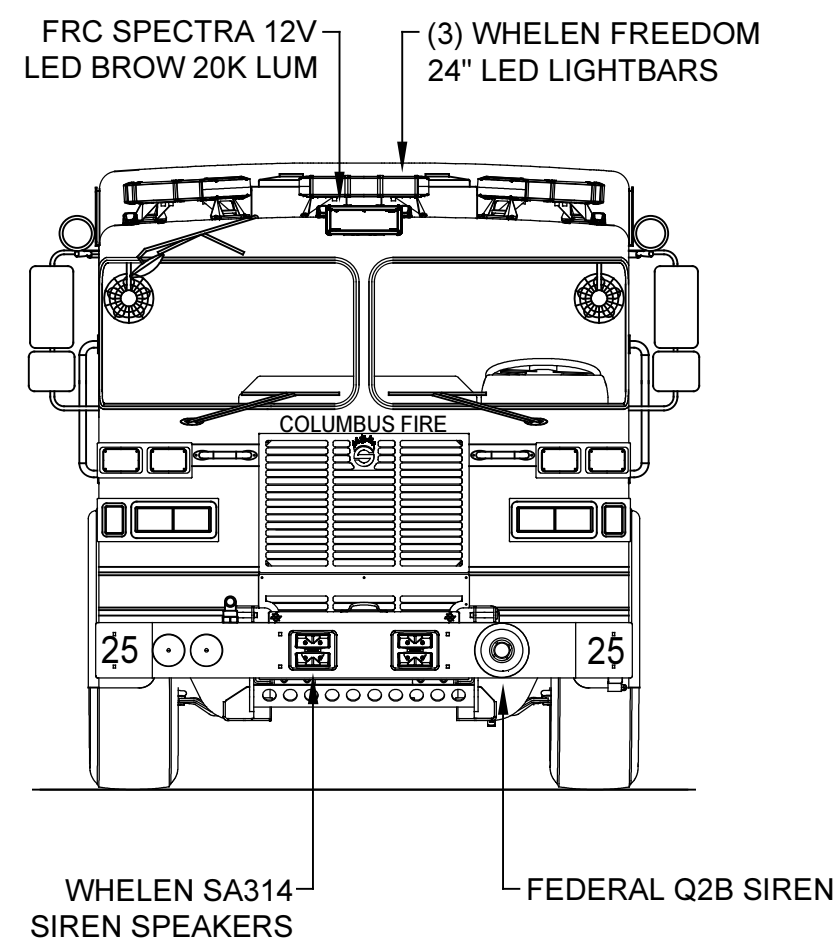
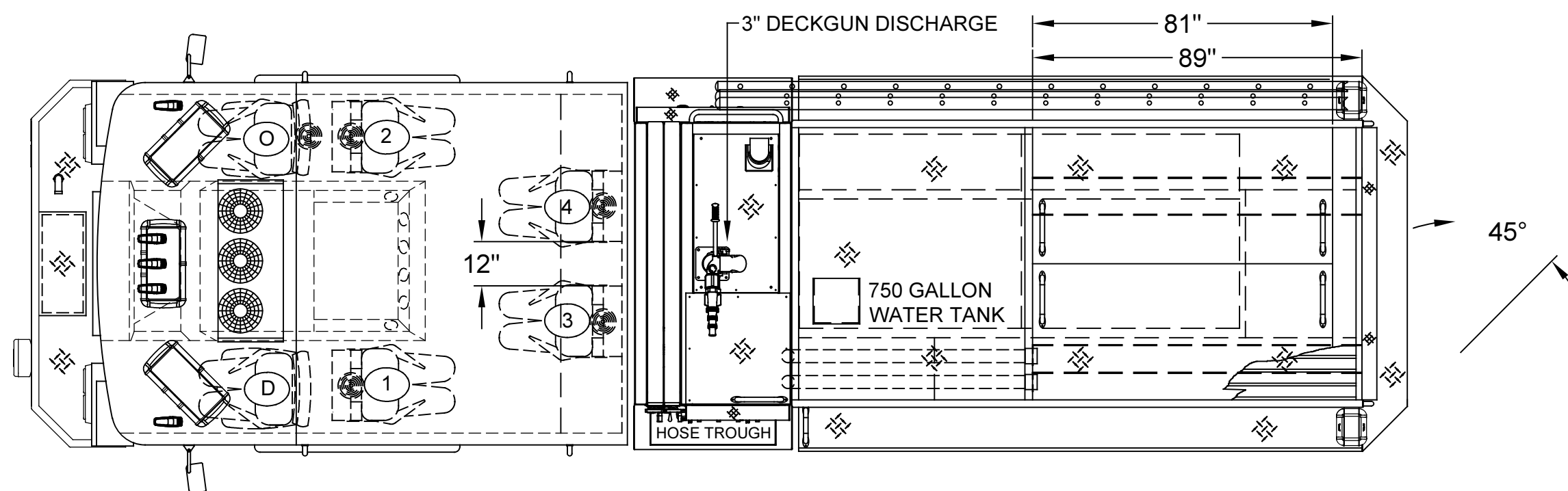


LEFT SIDE COMPARTMENTS				
COMPT	DOORS	OPENING DIMENSIONS	INSIDE DIMENSIONS	VOLUME
L1	ROLL UP	29\"/>		

RIGHT SIDE COMPARTMENTS				
COMPT	DOORS	OPENING DIMENSIONS	INSIDE DIMENSIONS	VOLUME
R1	ROLL UP	29\"/>		

REAR STEP COMPARTMENTS				
COMPT	DOORS	OPENING DIMENSIONS	INSIDE DIMENSIONS	VOLUME
A1	ROLL-UP	37 1/2\"/>		

TOTAL STORAGE: 186.6 CU. FT.



HS #	UNIT #
6056	1
6057	2
6058	9
6059	25

DIMENSIONS SHOWN ON THIS DRAWING ARE APPROXIMATE AND ARE SUBJECT TO MINOR DEVIATIONS DURING CONSTRUCTION.

IN THE EVENT OF A DISCREPANCY BETWEEN THE SUTPHEN SPECIFICATIONS AND DRAWING, THE SUTPHEN SPECIFICATIONS SHALL PREVAIL.

DRAWING IS FOR REFERENCE ONLY. SOME ITEMS PROPOSED MAY NOT BE SHOWN OR NOTED.

**CUSTOMER APPROVAL**

NAME: \_\_\_\_\_

TITLE: \_\_\_\_\_

DATE: \_\_\_\_\_

REV.	DESCRIPTION	BY	DATE
D	POST PRODUCTION REVISION TO REFLECT FINAL PRODUCT THAT WAS SHIPPED TO CUSTOMER	RM	04/02/18
C	POS 3 DISCHARGE WILL REMAIN 3"; HOSEBED B BOX DIMS CLARIFIED; DS LIGHT IN DUNNAGE; REFERENCE PHOTO	RM	11/08/17
B	FIXED CALL-OUTS; STEREO WILL CUT OUT WITH MASTER EMERG; ADDED PUMP PANEL COLOR CODING	RM	08/28/17
A	REV-A SHOP ORDER	RM	06/06/17

THIS PRINT IS PROVIDED ON A RESTRICTED BASIS AND IS NOT TO BE USED IN ANY WAY DETRIMENTAL TO THE INTEREST OF SUTPHEN CORPORATION.

DRAWN BY: R. MILLER

DATE: 12/02/16

MFG. FACILITY: DUBLIN

**SUTPHEN**

CITY OF COLUMBUS DIVISION OF FIRE  
COLUMBUS, OH

CUSTOM PUMPER - PS-08 BODY

DWG. NO.: HS-6056-59