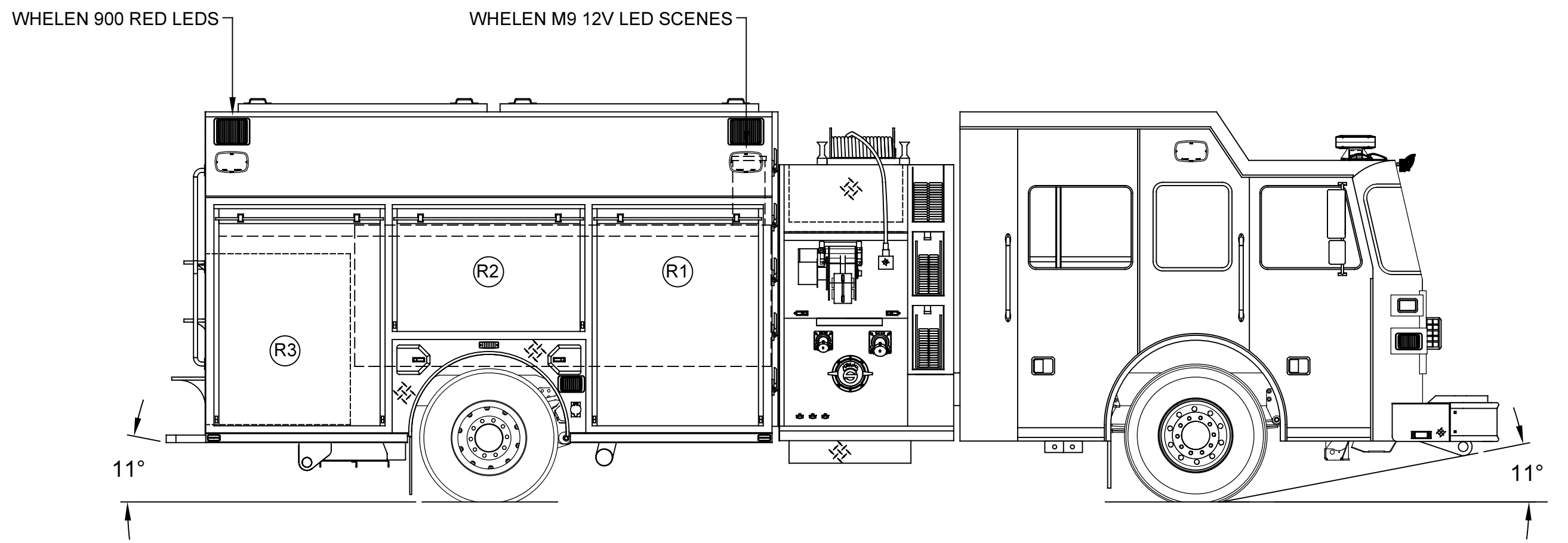


LADDER CHUTE  
 (1) 24' 2-SECT  
 (1) 14' ROOF  
 (1) 10' FOLDING  
 (1) PIKE POLE TUBE



LEFT SIDE COMPARTMENTATION				
COMPT	DOORS	OPENING DIMENSIONS	INSIDE DIMENSIONS	VOLUME
L1	ROLL-UP	50" w X 62 7/8" h	56" w X 72" h X 27 1/4" d	60 CU. FT.
L2	ROLL-UP	57" w X 33 5/8" h	61 1/2" w X 42 1/2" h X 27 1/4" d	36 CU. FT.
L3	ROLL-UP	50" w X 62 7/8" h	53 1/2" w X 72" h X 27 1/4" d	60 CU. FT.
H1	LIFT-UP		175" L X 29" w X 24" h	70 CU. FT.

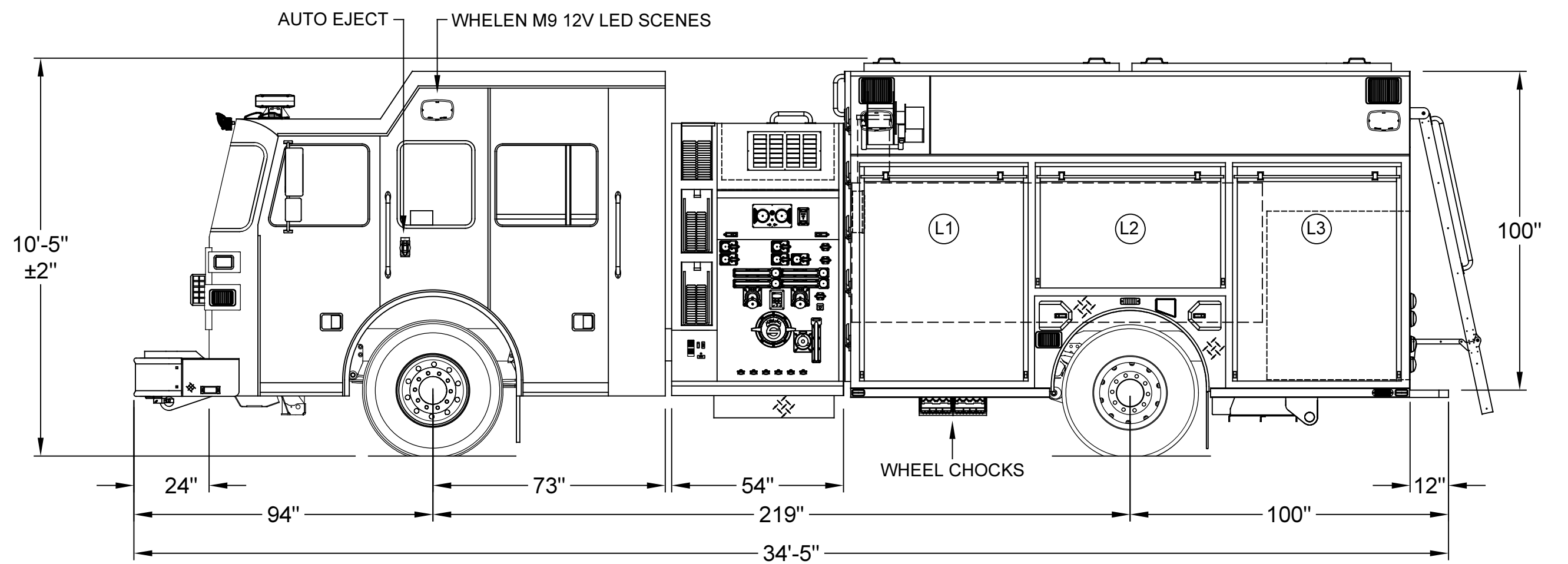
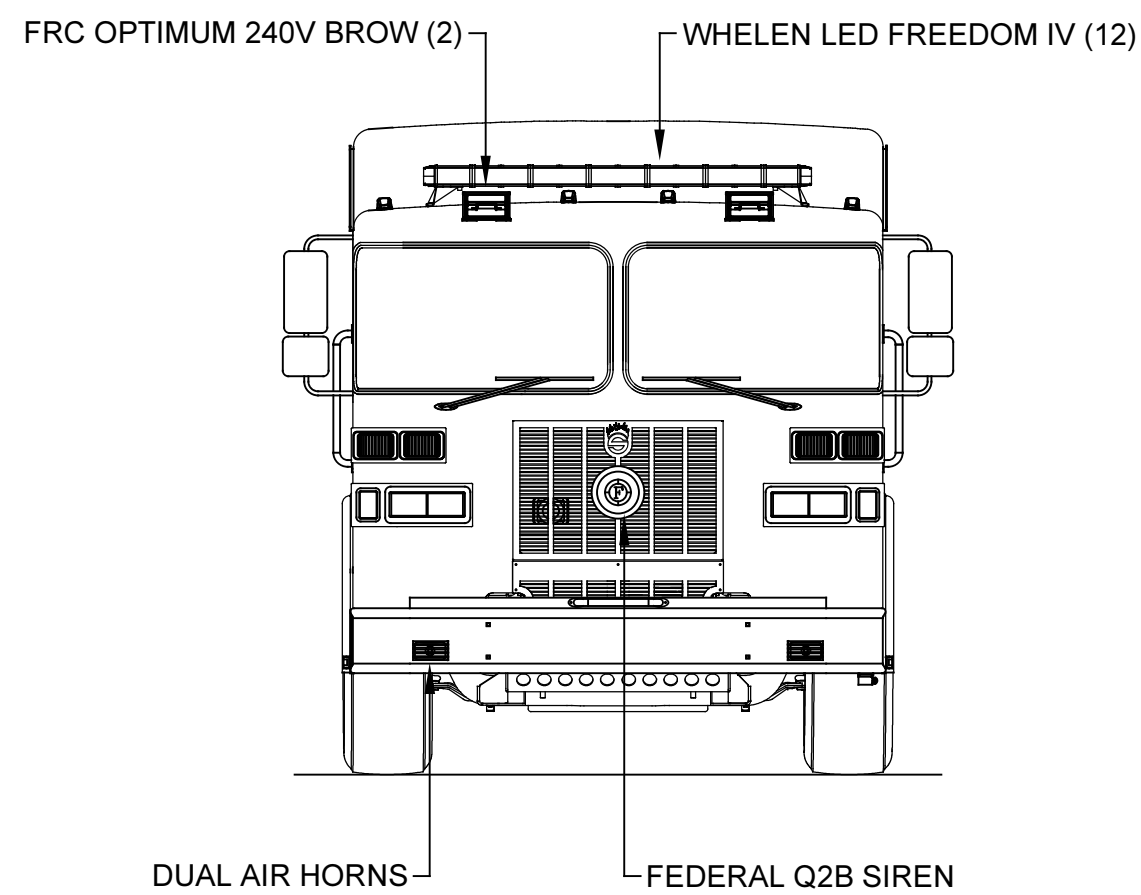
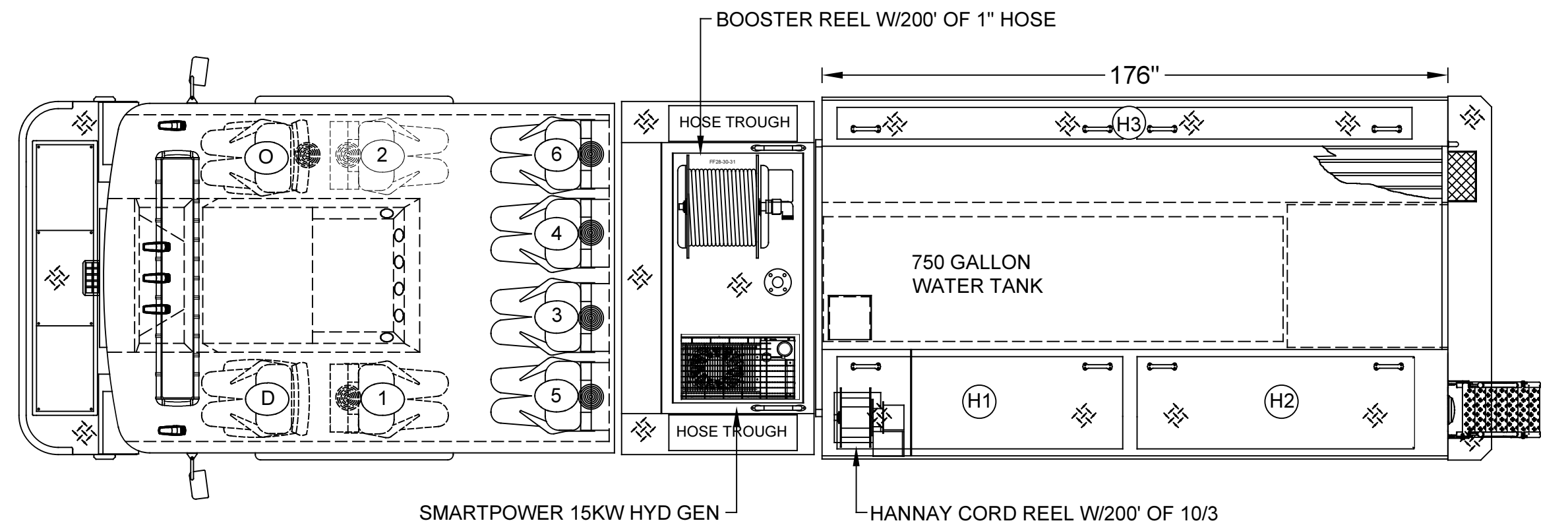
  

RIGHT SIDE COMPARTMENTATION				
COMPT	DOORS	OPENING DIMENSIONS	INSIDE DIMENSIONS	VOLUME
R1	ROLL-UP	50" w X 62 7/8" h	56" w X 72" h X 27 1/4" d	60 CU. FT.
R2	ROLL-UP	57" w X 33 5/8" h	61 1/2" w X 42 1/2" h X 27 1/4" d	36 CU. FT.
R3	ROLL-UP	50" w X 62 7/8" h	53 1/2" w X 72" h X 27 1/4" d	60 CU. FT.
H2	LIFT-UP		175" L X 10 1/2" w X 24" h	26 CU. FT.

REAR STEP COMPARTMENT				
COMPT	DOORS	OPENING DIMENSIONS	INSIDE DIMENSIONS	VOLUME
A1	ROLL-UP	37 1/2" w X 46" h	40" w X 53" h X 45" d	49 CU. FT.

TOTAL: 457 CU.FT.



DIMENSIONS SHOWN ON THIS DRAWING ARE APPROXIMATE AND ARE SUBJECT TO MINOR DEVIATIONS DURING CONSTRUCTION.

IN THE EVENT OF A DISCREPANCY BETWEEN THE SUTPHEN SPECIFICATIONS AND DRAWING, THE SUTPHEN SPECIFICATIONS SHALL PREVAIL.

DRAWING IS FOR REFERENCE ONLY. SOME ITEMS PROPOSED MAY NOT BE SHOWN OR NOTED.

CUSTOMER APPROVAL

NAME: \_\_\_\_\_

TITLE: \_\_\_\_\_

DATE: \_\_\_\_\_

REV.	DESCRIPTION	BY	DATE
G	POST PRODUCTION REVISION TO REFLECT FINAL PRODUCT	RM	07/10/18
F	HOSEBED DOORS MOVED TO TOP OF HOSEBED PER CUSTOMER'S REQUEST AT MID-INSPECTION	RM	06/05/18
E	MID-INSPECTION ADDITIONS AND CLARIFICATIONS - SEE SO REVISION EMAIL OR COMPONENT REPORT BELOW	RM	05/08/18
D	120V DUPLEX OUTLET ADDED TO EACH BODY COMPARTMENT	RM	03/16/18

THIS PRINT IS PROVIDED ON A RESTRICTED BASIS AND IS NOT TO BE USED IN ANY WAY DETRIMENTAL TO THE INTEREST OF SUTPHEN CORPORATION.

DRAWN BY:  
R. MILLER

DATE:  
06/20/17

MFG. FACILITY:  
DUBLIN

**SUTPHEN**

CARBON VFD  
GREENSBURG, PA

CUSTOM PUMPER - PA-16 BODY

DWG. NO.: HS-6018