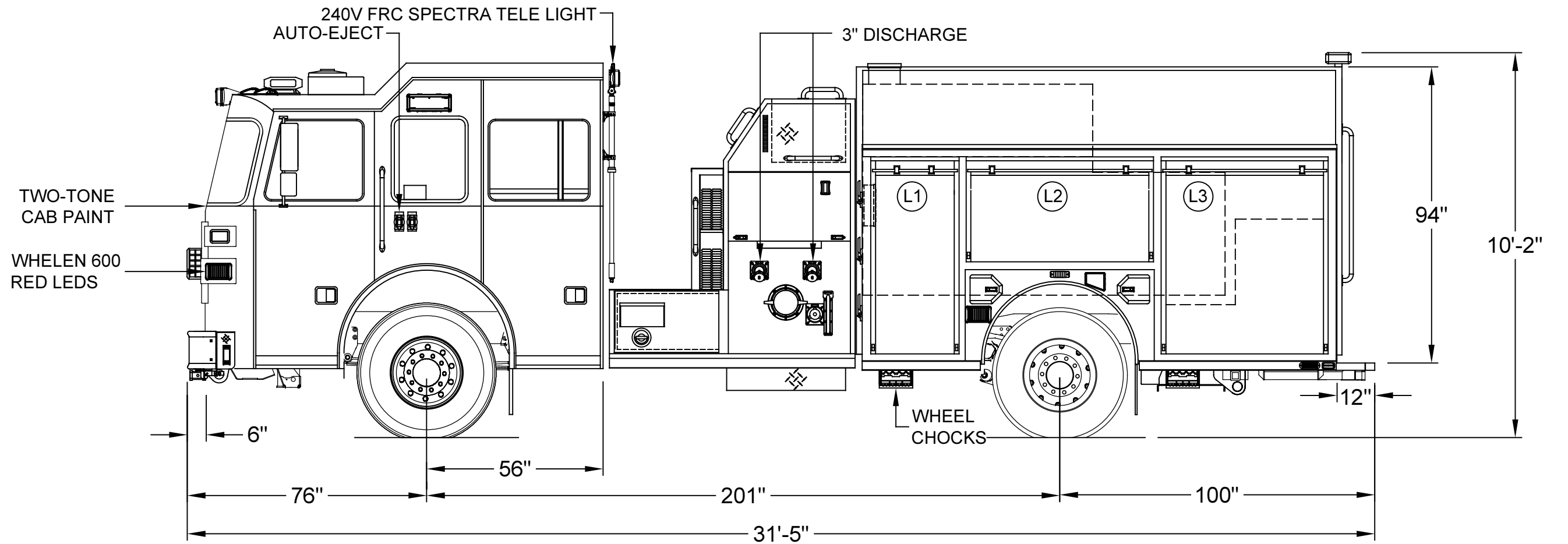
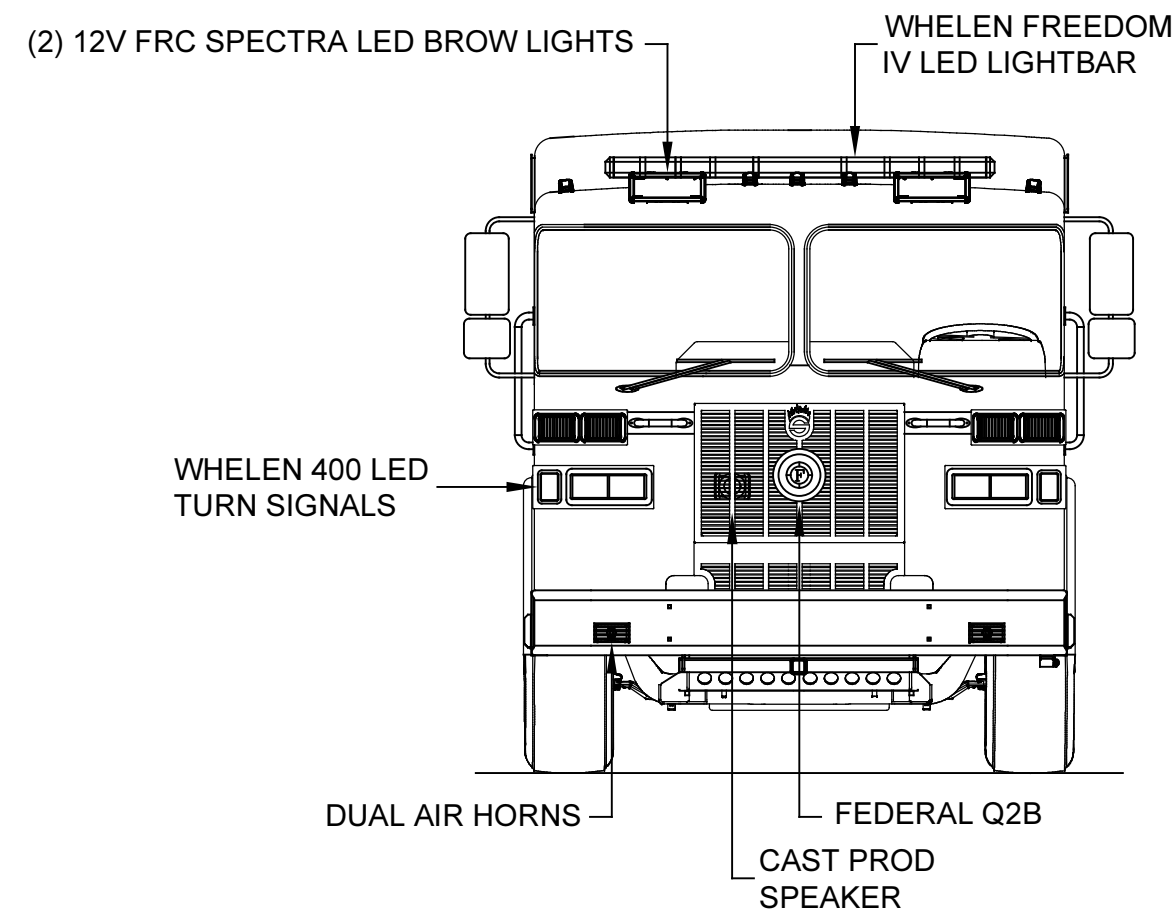
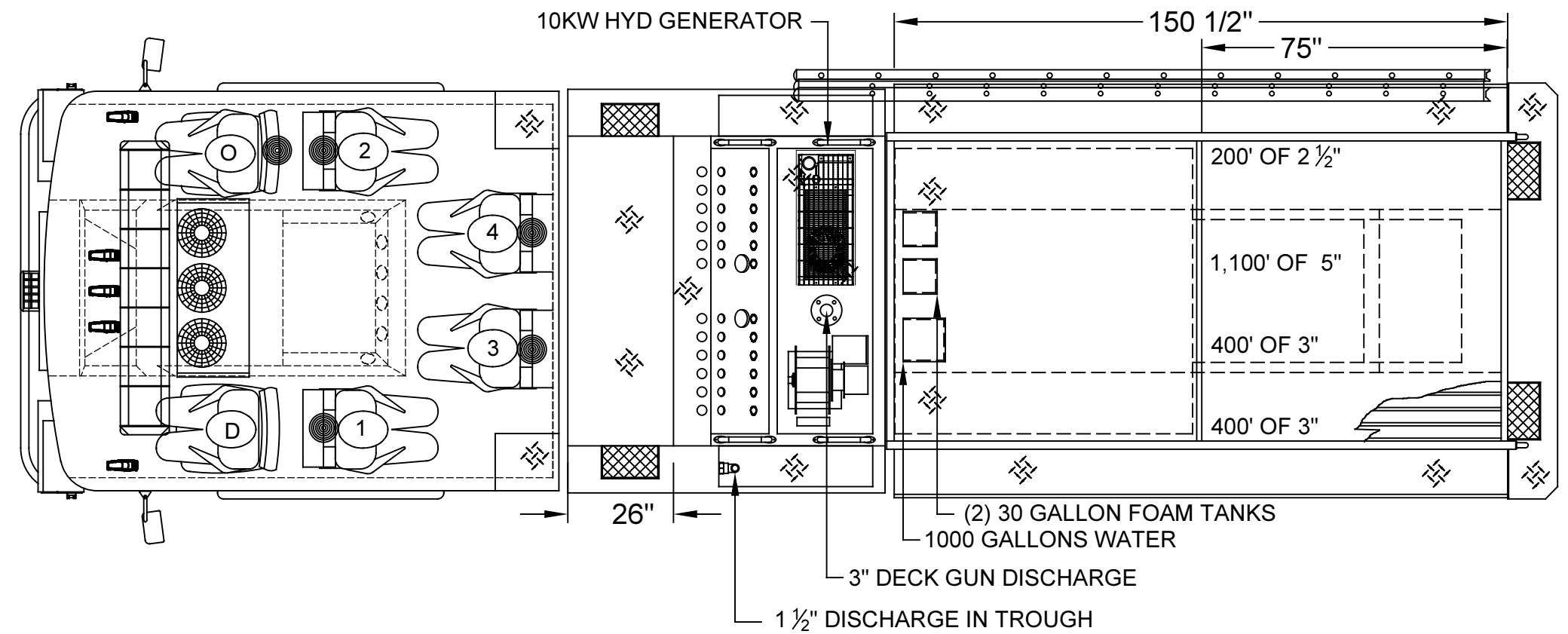


LEFT SIDE COMPARTMENTS				
COMPT	DOORS	OPENING DIMENSIONS	INSIDE DIMENSIONS	VOLUME
L1	ROLL-UP	25"w X 56 7/8"h	31"w X 66"h X 27 1/4"d	32 CU. FT.
L2	ROLL-UP	57"w X 27 5/8"h	61 1/2"w X 36 3/4"h X 27 1/4"d	35 CU. FT.
L3	ROLL-UP	50"w X 56 7/8"h	53 1/2"w X 66"h X 27 1/4"d	55 CU. FT.

RIGHT SIDE COMPARTMENTS				
COMPT	DOORS	OPENING DIMENSIONS	INSIDE DIMENSIONS	VOLUME
R1	ROLL-UP	25"w X 50 7/8"h	31"w X 60"h X 27 1/4"d	29 CU. FT.
R2	ROLL-UP	57"w X 21 5/8"h	61 1/2"w X 30 3/4"h X 27 1/4"d	29 CU. FT.
R3	ROLL-UP	50"w X 50 7/8"h	53 1/2"w X 60"h X 27 1/4"d	50 CU. FT.

REAR STEP COMPARTMENT				
COMPT	DOORS	OPENING DIMENSIONS	INSIDE DIMENSIONS	VOLUME
A1	ROLL-UP	37 1/2"w X 38"h	46"h X 40"w X 30"d	32 CU. FT.
TOTAL:				262 CU. FT.



DIMENSIONS SHOWN ON THIS DRAWING ARE APPROXIMATE AND ARE SUBJECT TO MINOR DEVIATIONS DURING CONSTRUCTION.

IN THE EVENT OF A DISCREPANCY BETWEEN THE SUTPHEN SPECIFICATIONS AND DRAWING, THE SUTPHEN SPECIFICATIONS SHALL PREVAIL.

DRAWING IS FOR REFERENCE ONLY. SOME ITEMS PROPOSED MAY NOT BE SHOWN OR NOTED.

CUSTOMER APPROVAL

NAME: \_\_\_\_\_

TITLE: \_\_\_\_\_

DATE: \_\_\_\_\_

REV.	DESCRIPTION	BY	DATE
B	CLARIFICATIONS AND DRAWING CORRECTIONS	JM	03/27/18
A	REV-A	JM	06/22/17

THIS PRINT IS PROVIDED ON A RESTRICTED BASIS AND IS NOT TO BE USED IN ANY WAY DETRIMENTAL TO THE INTEREST OF SUTPHEN CORPORATION.

DRAWN BY:  
JMORGAN

DATE:  
05/09/17

MFG. FACILITY:  
DUBLIN

**SUTPHEN**

KANE VOLUNTEER FIRE DEPARTMENT  
KANE, PA

CUSTOM PUMPER - PA-01 BODY

DWG. NO.: HS-5996