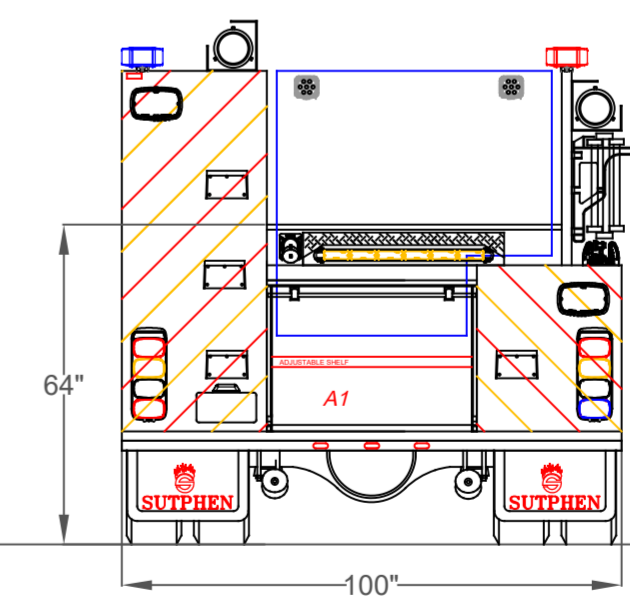
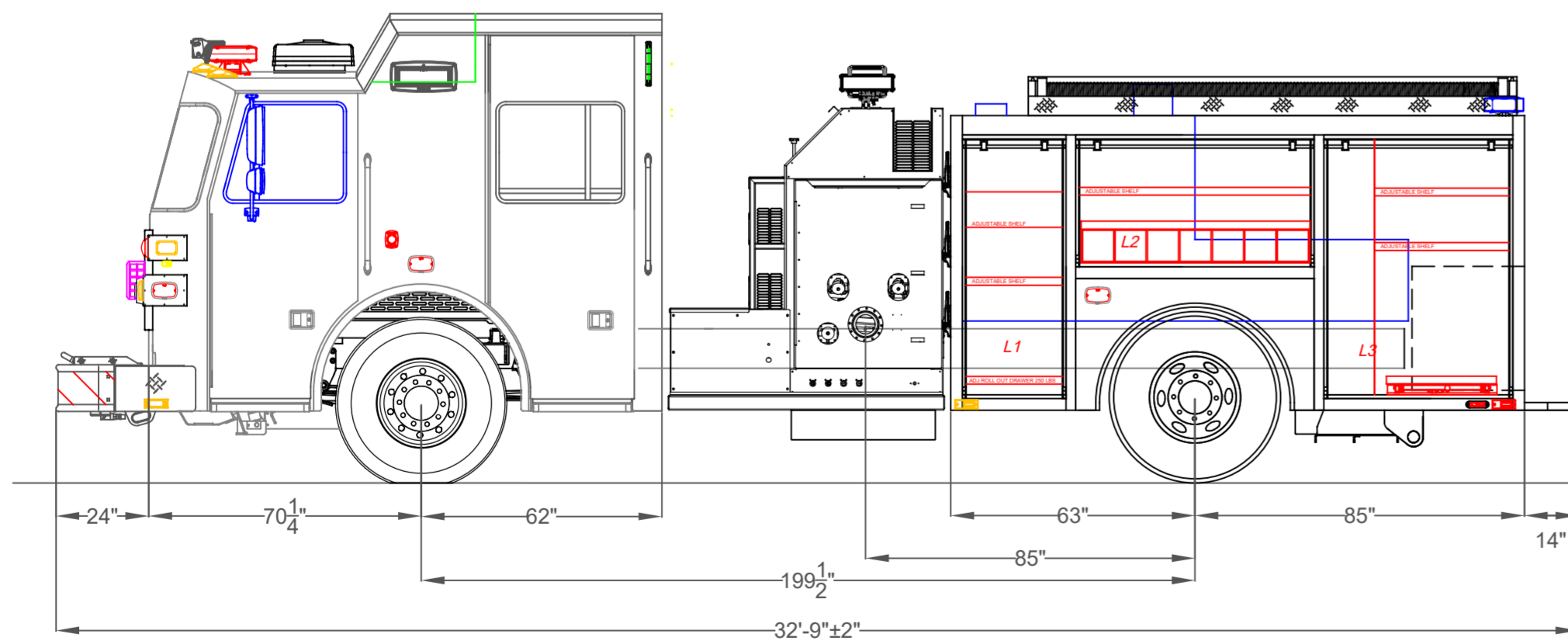


Left Side Compartmentation				
Compt	Doors	Opening Dimensions	Inside Dimensions	Volume
			<b>WxHxD</b>	
L1	Roll Up	24x62	31x72x27.25	35.2 CU FT
L2	Roll Up	57x28	64x38x27.25	38.4 CU FT
L3	Roll Up	46x62	53x72x27.25	60.2 CU FT
Right Side Compartmentation				
Compt	Doors	Opening Dimensions	Inside Dimensions	Volume
R1	Roll Up	24x23	31x33x27.25	16.1 CU FT
R2	Roll Up	46x23	53x33x27.25	27.6 CU FT
Rear Compartmentation				
Compt	Doors	Opening Dimensions	Inside Dimensions	Volume
A1	Roll Up	38x22	42x32x28.5	22.2 CU FT

**Total Volume**  
199.6 CU FT

Hale Qmax 1500 single stage  
Water Tank Capacity 750 gal  
Foam Tank Capacity 20 gal



DIMENSIONS SHOWN ON THIS DRAWING ARE APPROXIMATE AND ARE SUBJECT TO MINOR DEVIATIONS DURING CONSTRUCTION.  IN THE EVENT OF A DISCREPANCY BETWEEN THE SUTPHEN SPECIFICATIONS AND DRAWING, THE SUTPHEN SPECIFICATIONS SHALL PREVAIL.  DRAWING IS FOR REFERENCE ONLY. SOME ITEMS PROPOSED MAY NOT BE SHOWN OR NOTED.	<b>CUSTOMER APPROVAL</b> NAME: _____ TITLE: _____ DATE: _____		REV. _____ DESCRIPTION _____ BY _____ DATE _____	DRAWN BY: J. GORDON DATE: 04/07/2020 MFG. FACILITY: SUTPHEN EAST LAKE ARIEL, PA	SUTPHEN EAST 55 INNOVATION DRIVE LAKE ARIEL, PA 1-844-776-2889  NORTH POLE FIRE CO. INC. WATERTOWN, NY  CUSTOM PROGRAM 2 ALUMINUM PUMPER DWG. NO.: HS 6793
	THIS PRINT IS PROVIDED ON A RESTRICTED BASIS AND IS NOT TO BE USED IN ANY WAY DETRIMENTAL TO THE INTEREST OF SUTPHEN CORPORATION.				