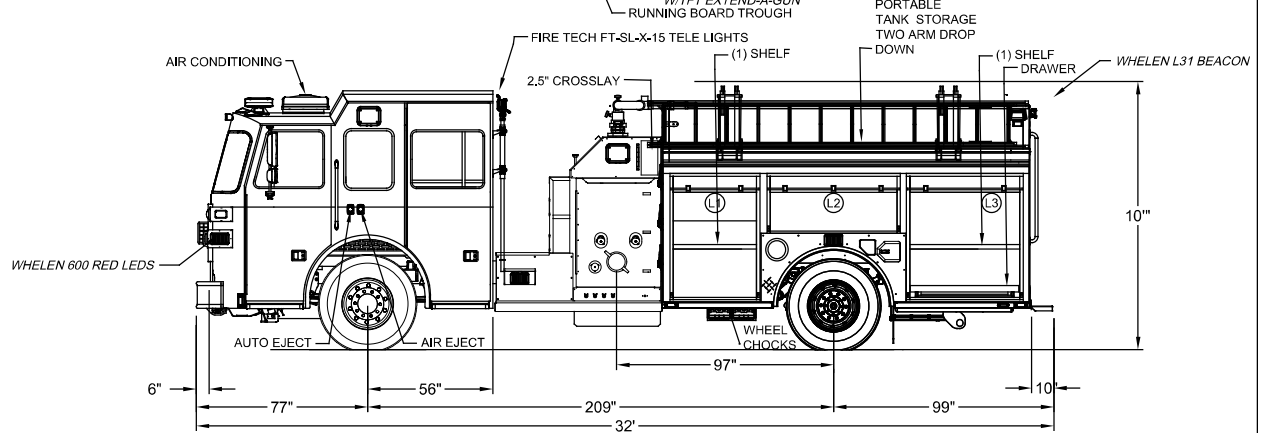
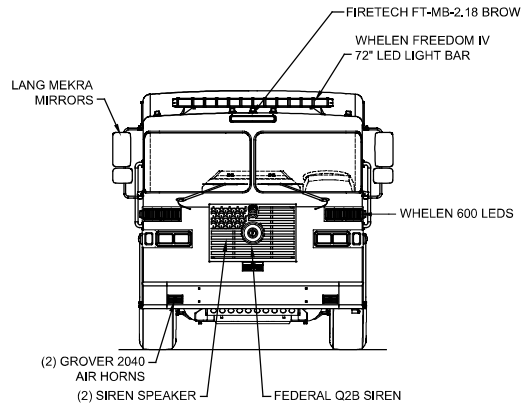
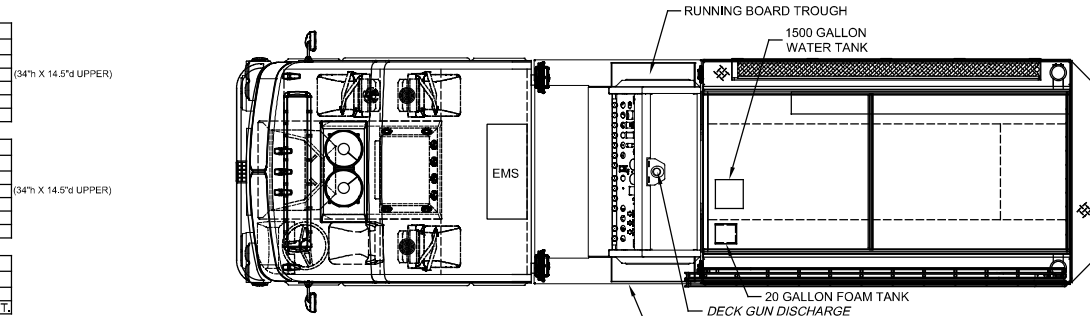


LEFT SIDE COMPARTMENTS				
COMPT	DOORS	OPENING DIMENSIONS	INSIDE DIMENSIONS	VOLUME
L1	ROLL-UP	37.5" w X 50.5" h	40" w X 60" h X 26" d	28.0 CU. FT.
L2	ROLL-UP	56.25" w X 21" h	59" w X 25.5" h X 14.5" d	11.0 CU. FT.
L3	ROLL-UP	48.75" w X 50.5" h	51.5" w X 60" h X 26" d	40.0 CU. FT.

RIGHT SIDE COMPARTMENTS				
COMPT	DOORS	OPENING DIMENSIONS	INSIDE DIMENSIONS	VOLUME
R1	ROLL-UP	37.5" w X 50.5" h	40" w X 60" h X 26" d	28.0 CU. FT.
R2	ROLL-UP	56.25" w X 21" h	59" w X 25.5" h X 14.5" d	11.0 CU. FT.
R3	ROLL-UP	48.75" w X 50.5" h	51.5" w X 60" h X 26" d	40.0 CU. FT.

REAR STEP COMPARTMENT				
COMPT	DOORS	OPENING DIMENSIONS	INSIDE DIMENSIONS	VOLUME
A1	ROLL-UP	36.75" w X 29.25" h	39" w X 39.5" w X 31" d	31.2 CU. FT.
TOTAL:				186.0 CU. FT.



DIMENSIONS SHOWN ON THIS DRAWING ARE APPROXIMATE AND ARE SUBJECT TO MINOR DEVIATIONS DURING CONSTRUCTION. IN THE EVENT OF A DISCREPANCY BETWEEN THE SUTPHEN SPECIFICATIONS AND DRAWING, THE SUTPHEN SPECIFICATIONS SHALL PREVAIL. DRAWING IS FOR REFERENCE ONLY, SOME ITEMS PROPOSED MAY NOT BE SHOWN OR NOTED.	CUSTOMER APPROVAL					DRAWN BY: R. CAMPBELL DATE: 1/7/2021 MFG. FACILITY: URBANA	 LODI FIRE DEPARTMENT LODI, OH CUSTOM PUMPER - PROGRAM 1 HS-6983
	NAME:		B	UPDATED LADDERS	R.C.	9/3/21	
	TITLE:		A	UPDATED TO SHOP ORDER REV D	R.C.	6/24/21	
	DATE:		REV:	DESCRIPTION	BY	DATE	
THIS PRINT IS PROVIDED ON A RESTRICTED BASIS AND IS NOT TO BE USED IN ANY WAY DETRIMENTAL TO THE INTEREST OF SUTPHEN CORPORATION.							