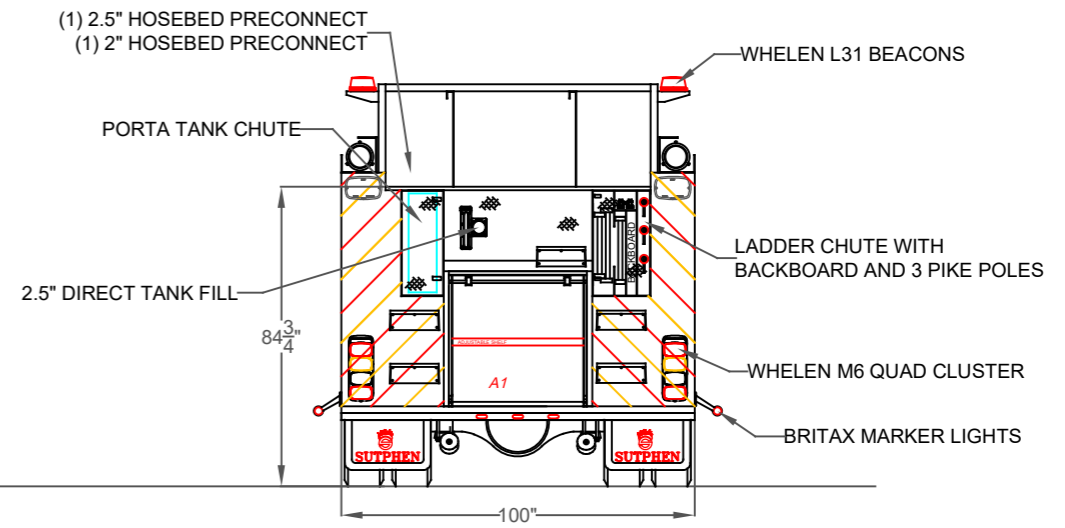
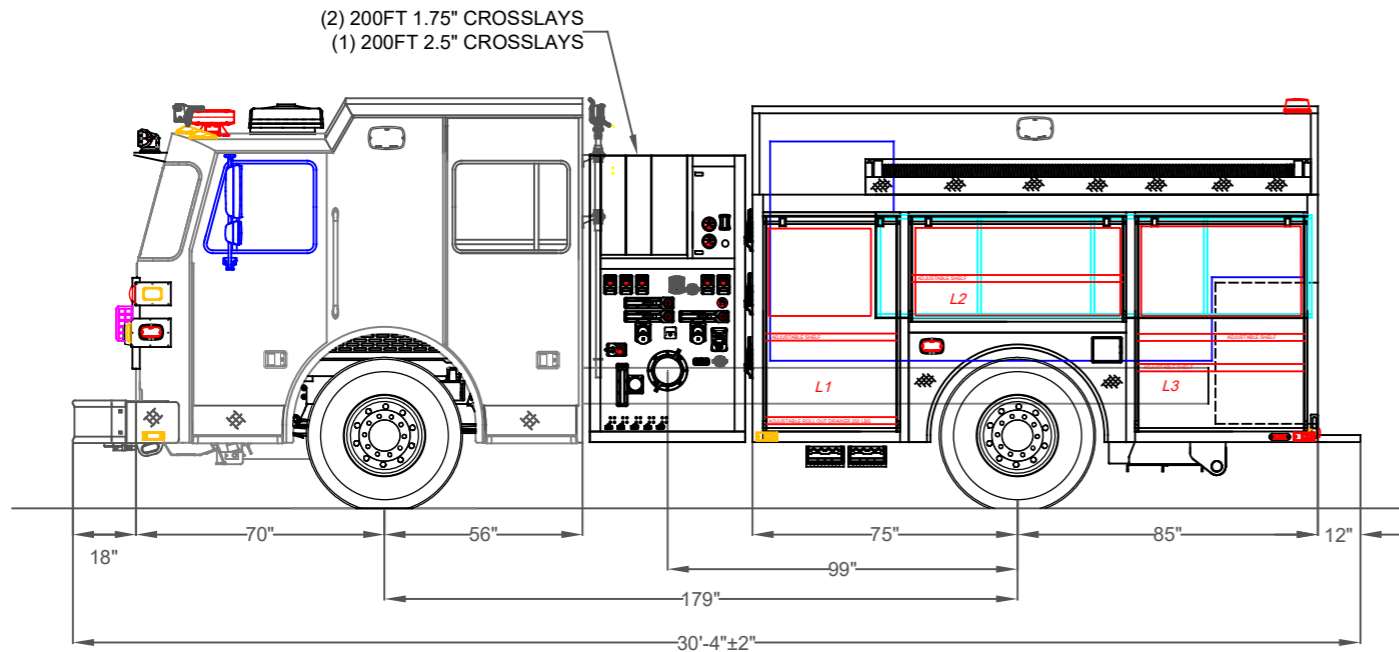


Left Side Compartmentation				
Compt	Doors	Opening Dimensions	Inside Dimensions	Volume
WxHxD				
L1	Roll Up	36x56	43x66x27.25	44.8 CU FT
L2	Roll Up	57x25	64x35x14.25	13.3 CU FT
L3	Roll Up	46x56	53x66x27.25/14.25	36.0 CU FT
Right Side Compartmentation				
Compt	Doors	Opening Dimensions	Inside Dimensions	Volume
R1	Roll Up	36x56	43x66x27.25/10.25	30.0 CU FT
R2	Roll Up	57x25	64x35x10.25	13.3 CU FT
R3	Roll Up	46x56	53x66x27.25/10.25	36.9 CU FT
Rear Compartmentation				
Compt	Doors	Opening Dimensions	Inside Dimensions	Volume
A1	Roll Up	35x30	42x40x28.25	27.5 CU FT
Total Volume				201.6 CU FT

Hale Qmax 1500 single stage  
Water Tank Capacity 1000 gal



DIMENSIONS SHOWN ON THIS DRAWING ARE APPROXIMATE AND ARE SUBJECT TO MINOR DEVIATIONS DURING CONSTRUCTION.	CUSTOMER APPROVAL		REV.	DESCRIPTION	BY	DATE	DRAWN BY:	SUTPHEN EAST 55 INNOVATION DRIVE LAKE ARIEL, PA 1-844-776-2889	
	IN THE EVENT OF A DISCREPANCY BETWEEN THE SUTPHEN SPECIFICATIONS AND DRAWING, THE SUTPHEN SPECIFICATIONS SHALL PREVAIL.	NAME:							J. GORDON
DRAWING IS FOR REFERENCE ONLY. SOME ITEMS PROPOSED MAY NOT BE SHOWN OR NOTED.		TITLE:					DATE:	LITTLE FALLS FIRE DEPT. LITTLE FALLS, NY	
	DATE:						MFG. FACILITY:	CUSTOM ALUMINUM PUMPER	
			THIS PRINT IS PROVIDED ON A RESTRICTED BASIS AND IS NOT TO BE USED IN ANY WAY DETRIMENTAL TO THE INTEREST OF SUTPHEN CORPORATION.						DWG. NO.: HS 6936