

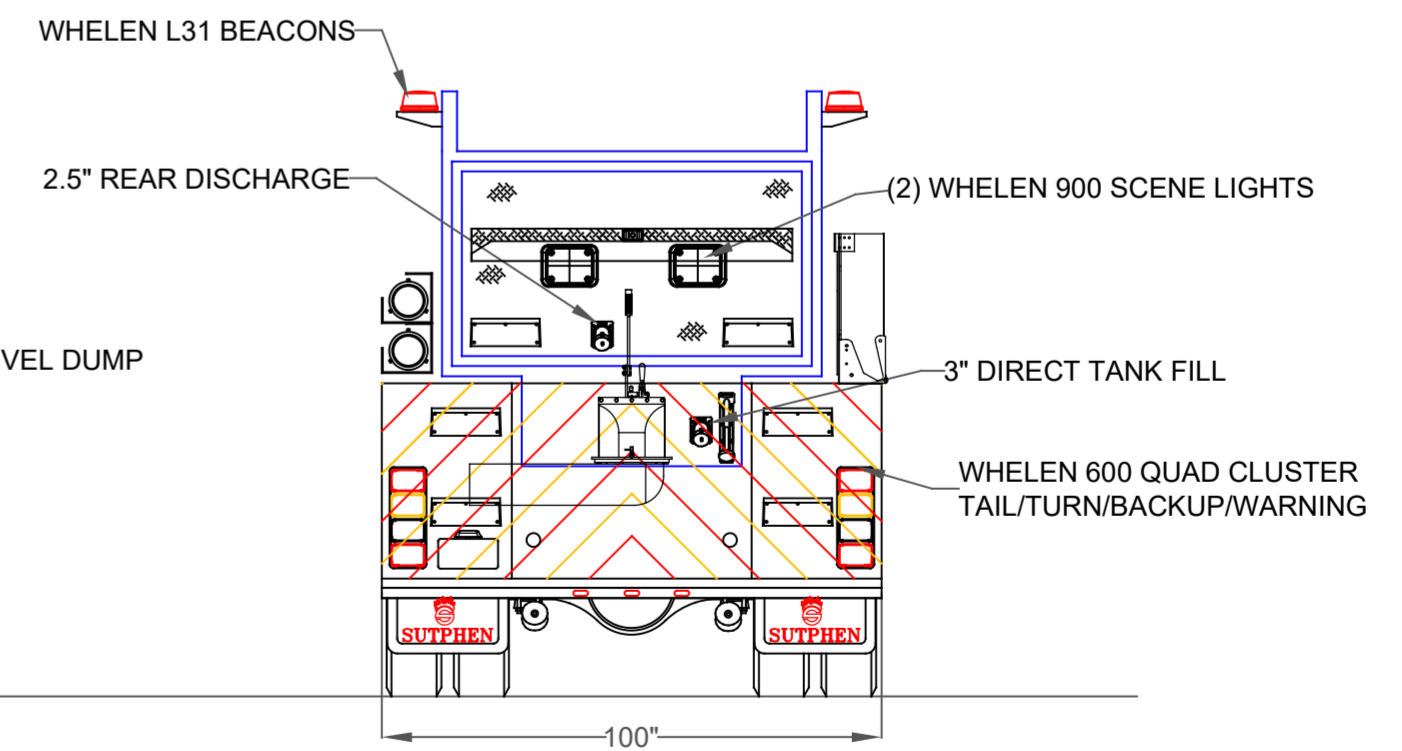
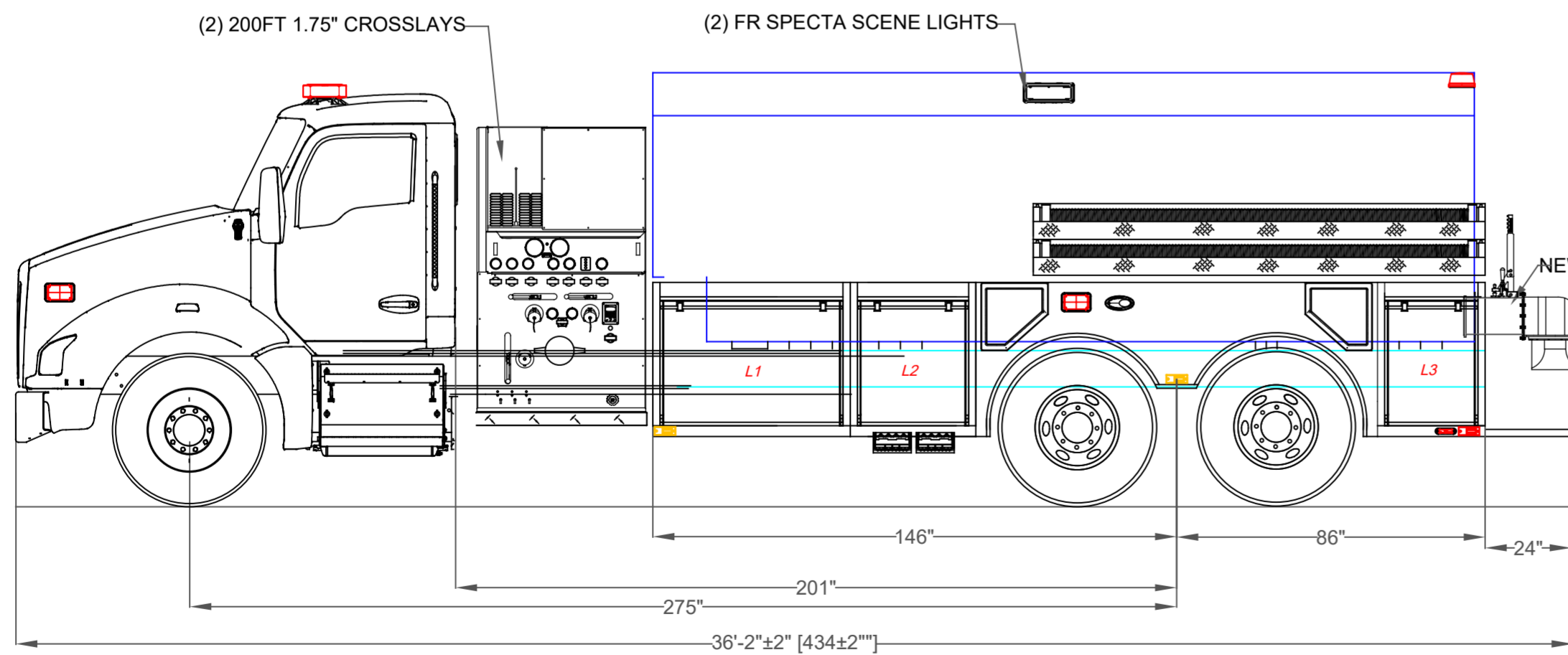
Left Side Compartmentation				
Compt	Doors	Opening Dimensions	Inside Dimensions	Volume
			WxHxD	
L1	Roll Up	48x26	55x39x24.25	27.8 CU FT
L2	Roll Up	28x26	35x39x24.25	17.7 CU FT
L3	Roll Up	23x26	30x39x24.25	15.2 CU FT

Right Side Compartmentation				
Compt	Doors	Opening Dimensions	Inside Dimensions	Volume
R1	Roll Up	48x26	55x39x24.25	27.8 CU FT
R2	Roll Up	28x26	35x39x24.25	17.7 CU FT
R3	Roll Up	23x26	30x39x24.25	15.2 CU FT

Hale Qflo 1250 single stage  
Water Tank Capacity 3500 gal

Total Volume	121.3 CU FT
--------------	-------------



DIMENSIONS SHOWN ON THIS DRAWING ARE APPROXIMATE AND ARE SUBJECT TO MINOR DEVIATIONS DURING CONSTRUCTION.  
IN THE EVENT OF A DISCREPANCY BETWEEN THE SUTPHEN SPECIFICATIONS AND DRAWING, THE SUTPHEN SPECIFICATIONS SHALL PREVAIL.  
DRAWING IS FOR REFERENCE ONLY. SOME ITEMS PROPOSED MAY NOT BE SHOWN OR NOTED.

CUSTOMER APPROVAL

NAME: \_\_\_\_\_

TITLE: \_\_\_\_\_

DATE: \_\_\_\_\_

REV.	DESCRIPTION	BY	DATE

THIS PRINT IS PROVIDED ON A RESTRICTED BASIS AND IS NOT TO BE USED IN ANY WAY DETRIMENTAL TO THE INTEREST OF SUTPHEN CORPORATION.

DRAWN BY: J. GORDON

DATE: 12/02/2019

MFG. FACILITY: SUTPHEN EAST LAKE ARIEL, PA

DWG. NO.: HS 6707

SUTPHEN EAST  
55 INNOVATION DRIVE  
LAKE ARIEL, PA  
1-844-776-2889

LINDSAY FIRE DEPARTMENT  
LINDSAY, OK

COMMERCIAL WETSIDE TANKER