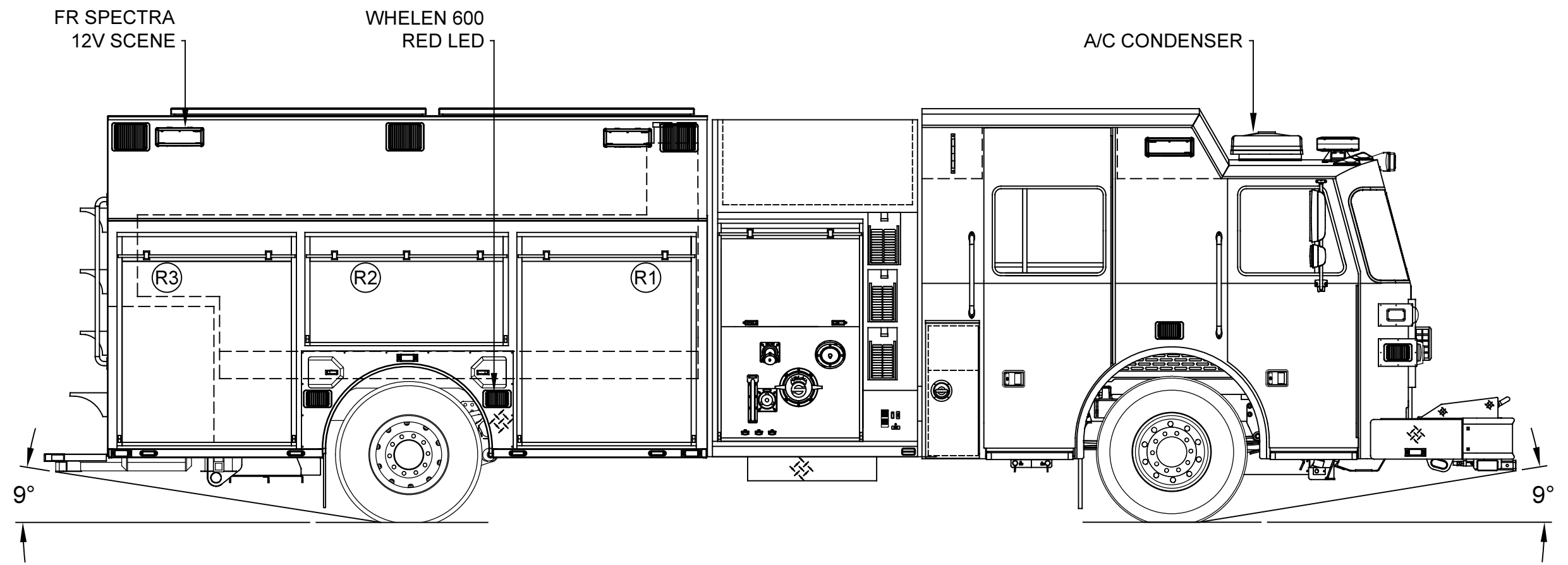


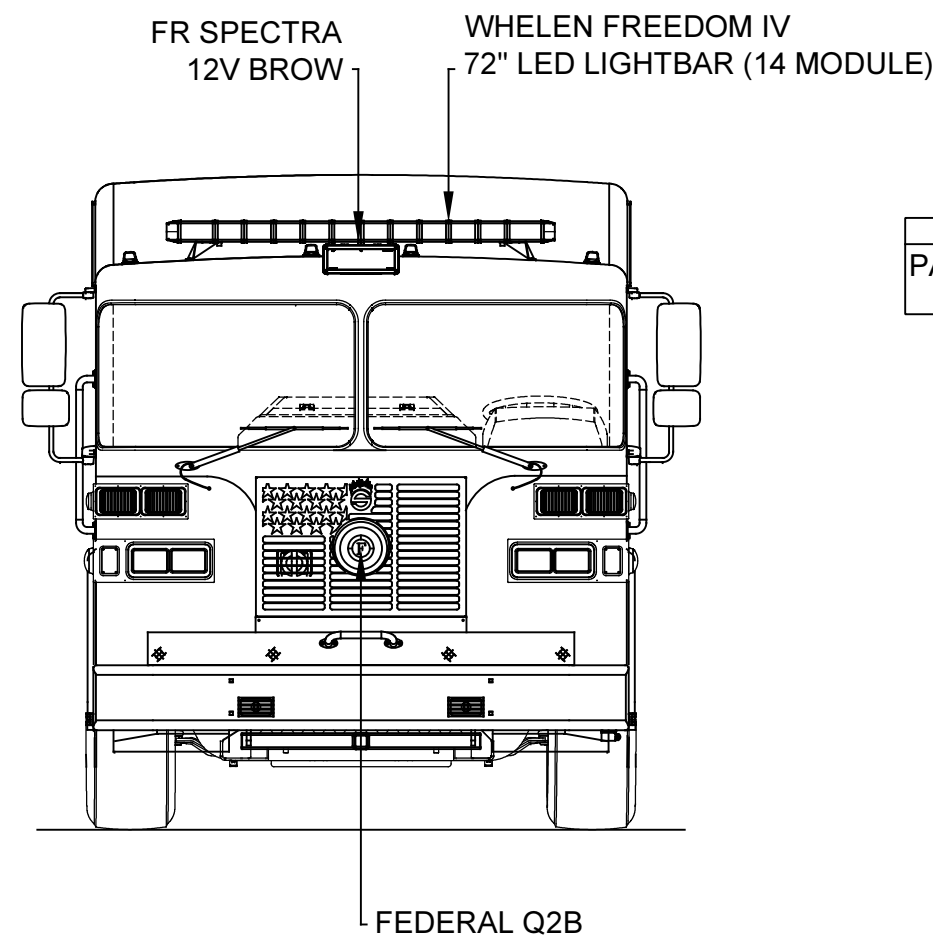
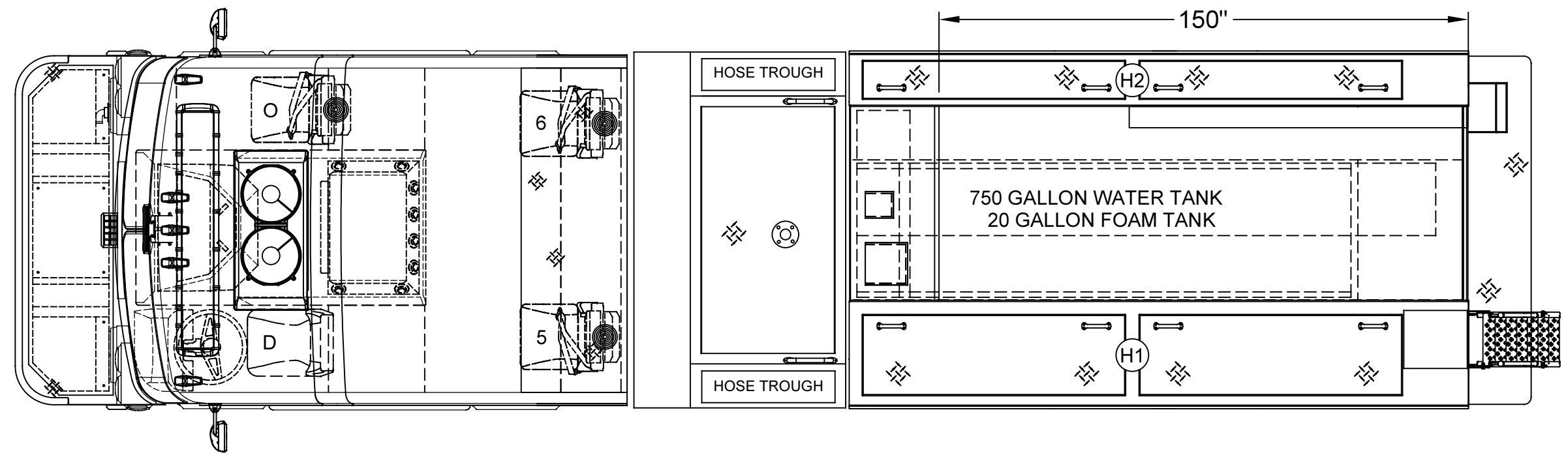
- LADDER CHUTE**
- (1) 24' 2-SEC
 - (1) 14' ROOF
 - (1) 10' FOLDING
 - (1) BACK BOARD SLOT
 - (2) NY ROOF HOOKS



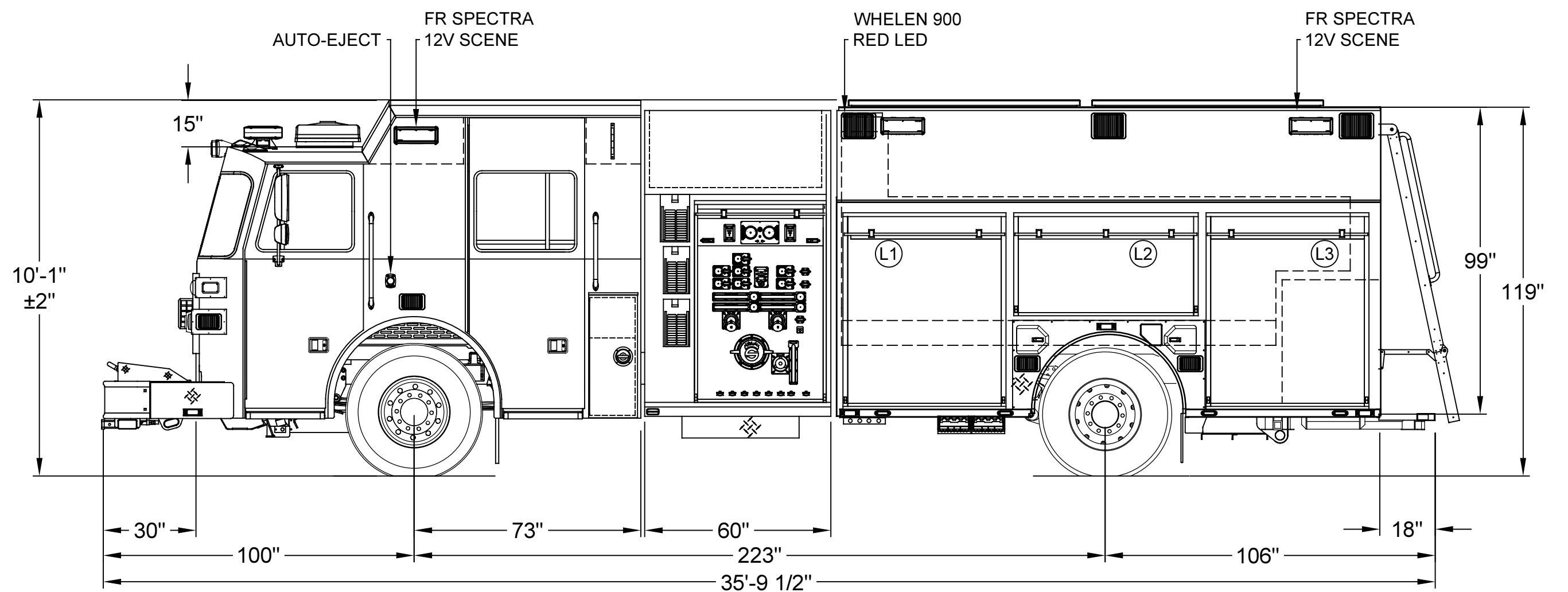
LEFT SIDE COMPARTMENTS				
COMPT	DOORS	OPENING DIMENSIONS	INSIDE DIMENSIONS	VOLUME
L1	ROLL-UP	50.5"w X 55.4"h	56.1"w X 66"h X 27.3"d	53.1 CU. FT.
L2	ROLL-UP	57.5"w X 26.2"h	61.6"w X 36.8"h X 27.3"d	29.8 CU. FT.
L3	ROLL-UP	50.5"w X 55.4"h	53.4"w X 66"h X 27.3"d	50.5 CU. FT.
H1	LIFT-UP	(2) 23.25"w X 73.25"l	174.7"w X 28.8"h X 29.2"d	85.0 CU. FT.

RIGHT SIDE COMPARTMENTS				
COMPT	DOORS	OPENING DIMENSIONS	INSIDE DIMENSIONS	VOLUME
R1	ROLL-UP	50.5"w X 55.4"h	56.1"w X 66"h X 27.3"d	53.1 CU. FT.
R2	ROLL-UP	57.5"w X 26.2"h	61.6"w X 36.8"h X 27.3"d	29.8 CU. FT.
R3	ROLL-UP	50.5"w X 55.4"h	53.4"w X 66"h X 27.3"d	50.5 CU. FT.
H2	LIFT-UP	(2) 9.25"w X 73.25"l	174.7"w X 28.8"h X 14.2"d	41.4 CU. FT.

REAR STEP COMPARTMENT				
COMPT	DOORS	OPENING DIMENSIONS	INSIDE DIMENSIONS	VOLUME
A1	HINGED	37.5"w X 32.0"h	40"w X 40"h X 40"d	28.7 CU. FT.
TOTAL:				421.9 CU.FT.



TWO TONE CAB
PAINT BREAK OPTION #5
WHITE OVER RED



DIMENSIONS SHOWN ON THIS DRAWING ARE APPROXIMATE AND ARE SUBJECT TO MINOR DEVIATIONS DURING CONSTRUCTION.

CUSTOMER APPROVAL

NAME: _____
TITLE: _____
DATE: _____

IN THE EVENT OF A DISCREPANCY BETWEEN THE SUTPHEN SPECIFICATIONS AND DRAWING, THE SUTPHEN SPECIFICATIONS SHALL PREVAIL.

DRAWING IS FOR REFERENCE ONLY. SOME ITEMS PROPOSED MAY NOT BE SHOWN OR NOTED.

M	AUX CAB STEPS HAVE BEEN DELETED	TF	05/10/2021	DRAWN BY:	T.FAHOUM
L	REFERENCE SHOP ORDER CHANGE DOCUMENT ON SHARED DRIVE	TF	04/30/2021	DATE:	05/15/2020
K	REFERENCE SHOP ORDER CHANGE DOCUMENT ON SHARED DRIVE	TF	04/21/2021	MFG. FACILITY:	DUBLIN
J	REMOVED NOTE REGARDING RELOCATING WIPER SWITCH	TF	03/23/2021		
REV.	DESCRIPTION	BY	DATE		

THIS PRINT IS PROVIDED ON A RESTRICTED BASIS AND IS NOT TO BE USED IN ANY WAY DETRIMENTAL TO THE INTEREST OF SUTPHEN CORPORATION.



JACKSON TOWNSHIP FIRE DEPARTMENT
GROVE CITY, OH

CUSTOM PUMPER - PA-18

DWG. NO.: HS-6804