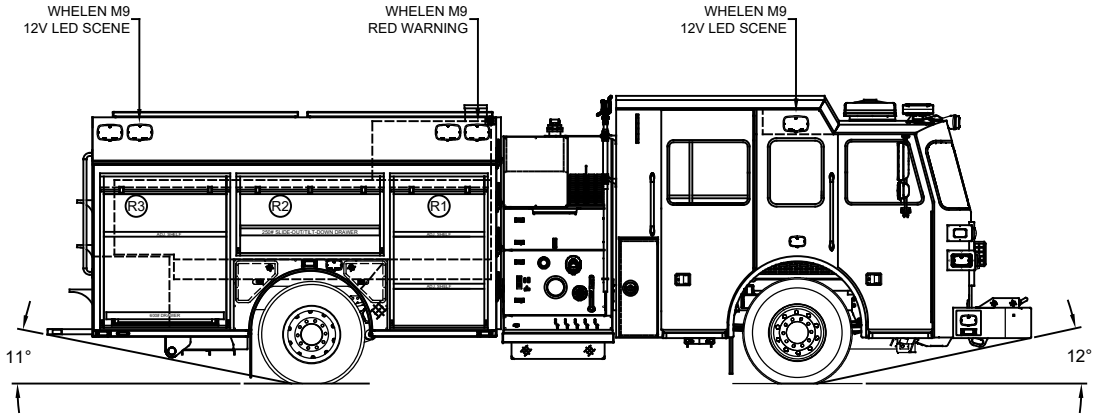


- LADDER CHUTE
 (1) 24' 2-SEC
 (1) 10' FOLDING
 (2) 6"x10' SUCTION HOSES
 (2) PIKE POLE TUBES
 (1) 14' ROOF

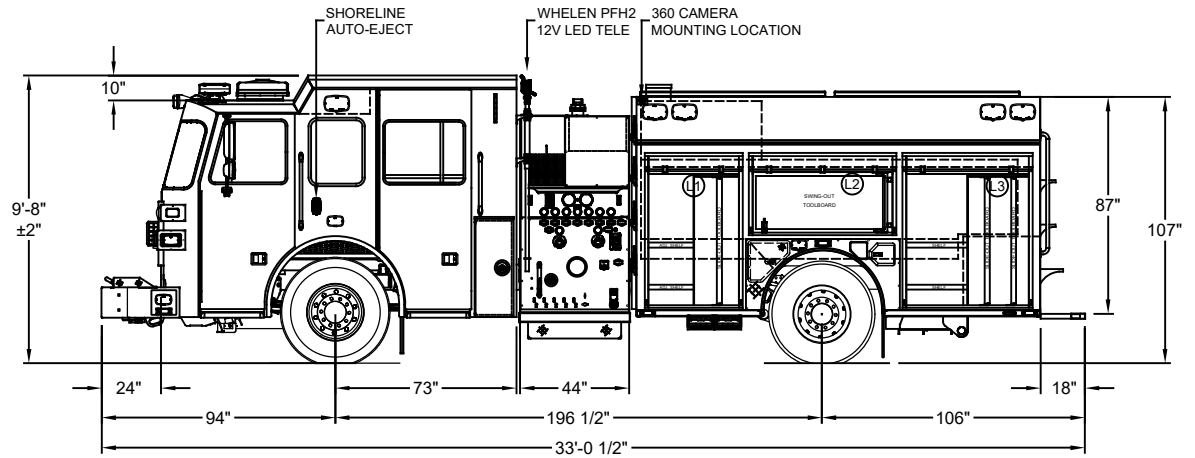
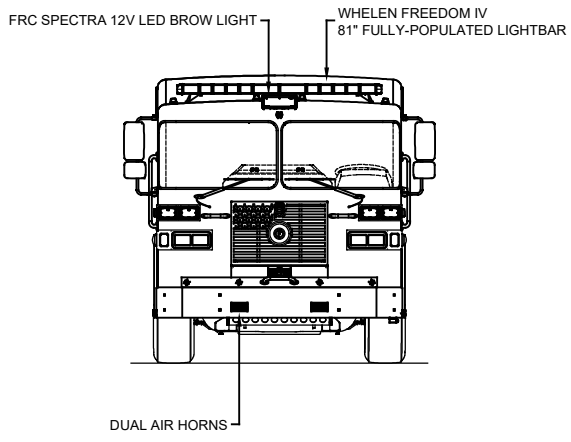
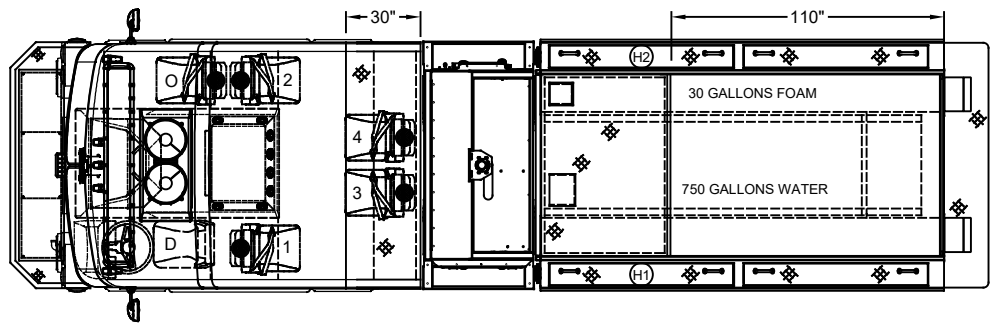


LEFT SIDE COMPARTMENTS				
COMPT	DOORS	OPENING DIMENSIONS	INSIDE DIMENSIONS	VOLUME
L1	ROLL-UP	37.5" w X 55.4" h	43.1" w X 66" h X 25.8" d	38.7 CU. FT. (10" h X 10.5" d UPPER)
L2	ROLL-UP	57.5" w X 26.2" h	61.6" w X 36.8" h X 25.8" d	28.4 CU. FT. (10" h X 10.5" d UPPER)
L3	ROLL-UP	50.5" w X 55.4" h	53.4" w X 66" h X 25.8" d	47.9 CU. FT. (10" h X 10.5" d UPPER)
H1	LIFT UP	(2) 75" w X 9.5" h	162" w X 17.3" h X 12.5" d	20.3 CU. FT.

RIGHT SIDE COMPARTMENTS				
COMPT	DOORS	OPENING DIMENSIONS	INSIDE DIMENSIONS	VOLUME
R1	ROLL-UP	37.5" w X 55.4" h	43.1" w X 66" h X 25.8" d	38.7 CU. FT. (10" h X 10.5" d UPPER)
R2	ROLL-UP	57.5" w X 26.2" h	61.6" w X 36.8" h X 25.8" d	28.4 CU. FT. (10" h X 10.5" d UPPER)
R3	ROLL-UP	50.5" w X 55.4" h	53.4" w X 66" h X 25.8" d	47.9 CU. FT. (10" h X 10.5" d UPPER)
H2	LIFT-UP	(2) 75" w X 9.5" h	162" w X 17.3" h X 12.5" d	20.3 CU. FT.

REAR STEP COMPARTMENT				
COMPT	DOORS	OPENING DIMENSIONS	INSIDE DIMENSIONS	VOLUME
A1	ROLL-UP	40.5" w X 18.8" h	43" w X 28" h X 31" d	21.6 CU. FT.

TOTAL: 292.2 CU.FT



DIMENSIONS SHOWN ON THIS DRAWING ARE APPROXIMATE AND ARE SUBJECT TO MINOR DEVIATIONS DURING CONSTRUCTION.

IN THE EVENT OF A DISCREPANCY BETWEEN THE SUTPHEN SPECIFICATIONS AND DRAWING, THE SUTPHEN SPECIFICATIONS SHALL PREVAIL.

DRAWING IS FOR REFERENCE ONLY. SOME ITEMS PROPOSED MAY NOT BE SHOWN OR NOTED.

CUSTOMER APPROVAL

NAME: _____

TITLE: _____

DATE: _____

REV	DESCRIPTION	BY	DATE
A	REV-A SHOP ORDER	KG	03/18/21

DRAWN BY: K. GOON

DATE: 03/03/21

MFG. FACILITY: DUBLIN

DEMOS 508
 DUBLIN, OH

CUSTOM PUMPER - S9

DWG. NO.: HS-7091