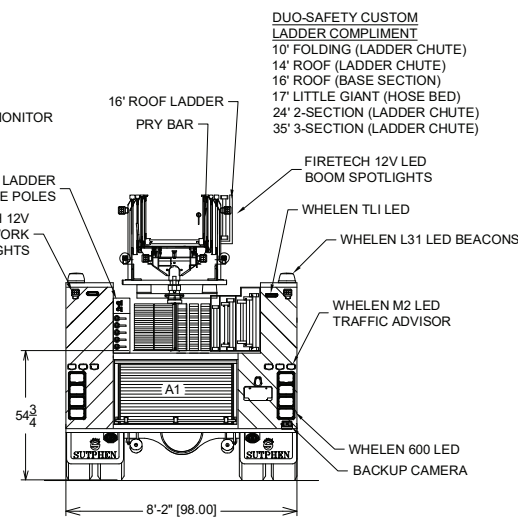
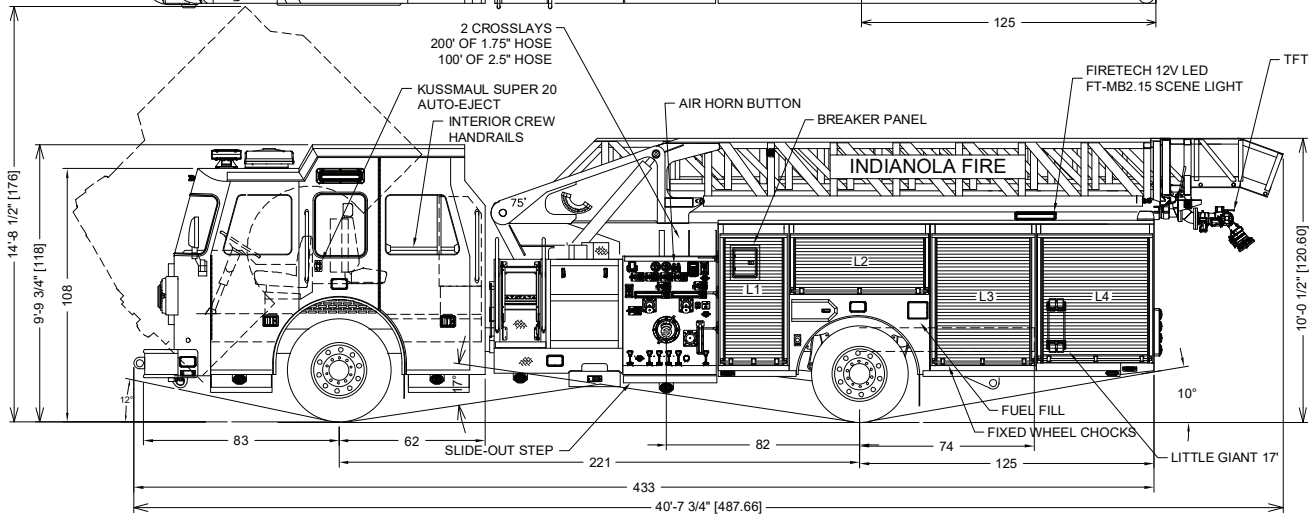
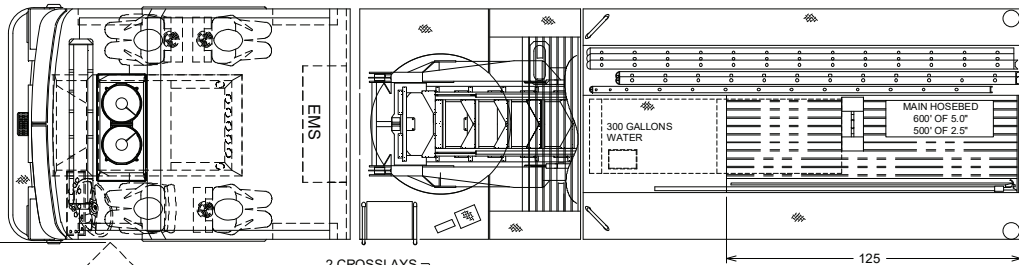
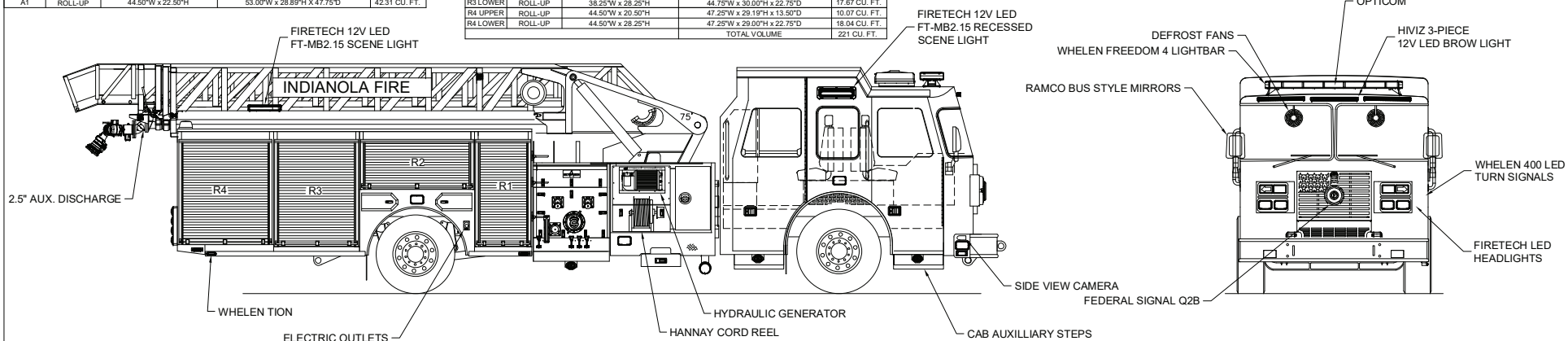


COMPT	DOORS	OPENING DIMENSIONS	INSIDE DIMENSIONS	VOLUME
L1	ROLL-UP	23.25"W x 49.50"H	29.75"W x 59.00"H x 17.75"D	18.02 CU. FT.
L2	ROLL-UP	53.25"W x 20.50"H	60.00"W x 28.25"H x 17.75"D	17.41 CU. FT.
L3	ROLL-UP	38.25"W x 49.50"H	44.75"W x 59.00"H x 17.75"D	27.12 CU. FT.
L4	ROLL-UP	43.25"W x 49.50"H	47.25"W x 59.00"H x 17.75"D	29.13 CU. FT.
A1	ROLL-UP	44.50"W x 22.50"H	53.00"W x 28.89"H x 47.75"D	42.31 CU. FT.

COMPT	DOORS	OPENING DIMENSIONS	INSIDE DIMENSIONS	VOLUME
R1 UPPER	ROLL-UP	23.25"W x 20.50"H	29.75"W x 29.19"H x 13.5"D	6.97 CU. FT.
R1 LOWER	ROLL-UP	23.25"W x 28.25"H	29.75"W x 30.00"H x 22.75"D	11.06 CU. FT.
R2	ROLL-UP	53.25"W x 20.50"H	60.00"W x 28.25"H x 13.5"D	14.08 CU. FT.
R3 UPPER	ROLL-UP	38.25"W x 19.50"H	44.75"W x 29.19"H x 13.5"D	10.20 CU. FT.
R3 LOWER	ROLL-UP	38.25"W x 28.25"H	44.75"W x 30.00"H x 22.75"D	17.67 CU. FT.
R4 UPPER	ROLL-UP	44.50"W x 20.50"H	47.25"W x 29.19"H x 13.50"D	10.07 CU. FT.
R4 LOWER	ROLL-UP	44.50"W x 28.25"H	47.25"W x 29.00"H x 22.75"D	18.04 CU. FT.
TOTAL VOLUME				221 CU. FT.



DIMENSIONS SHOWN ON THIS DRAWING ARE APPROXIMATE AND ARE SUBJECT TO MINOR DEVIATIONS DURING CONSTRUCTION.	CUSTOMER APPROVAL				DRAWN BY: APF	DATE: 08/31/2020	MFG. FACILITY: HILLIARD	 INDIANOLA FIRE DEPT INDIANOLA, IA SL75 HS-6957
	IN THE EVENT OF A DISCREPANCY BETWEEN THE SUTPHEN SPECIFICATIONS AND DRAWING, THE SUTPHEN SPECIFICATIONS SHALL PREVAIL.	NAME:						
DRAWING IS FOR REFERENCE ONLY. SOME ITEMS PROPOSED MAY NOT BE SHOWN OR NOTED.	TITLE:	A.0	UPDATES FROM PRE-CONSTRUCTION MEETING	DESCRIPTION	APF	12/15/20		DWG. NO.:
	DATE:	REV.			BY	DATE		

THIS PRINT IS PROVIDED ON A RESTRICTED BASIS AND IS NOT TO BE USED IN ANY WAY DETRIMENTAL TO THE INTEREST OF SUTPHEN CORPORATION.