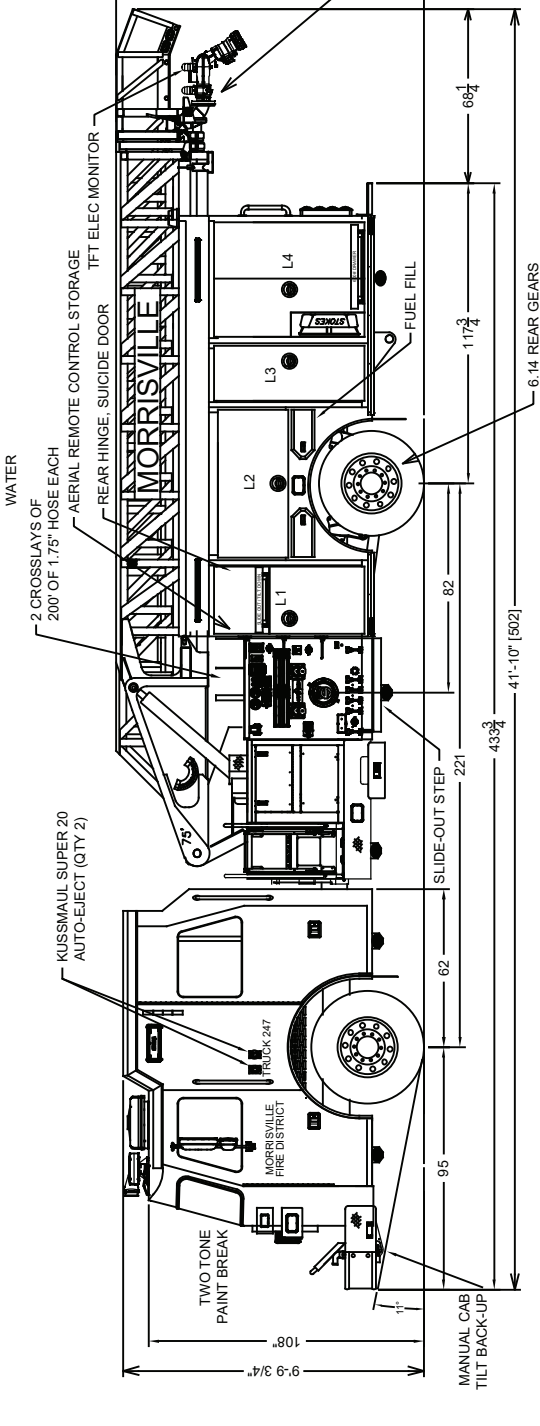
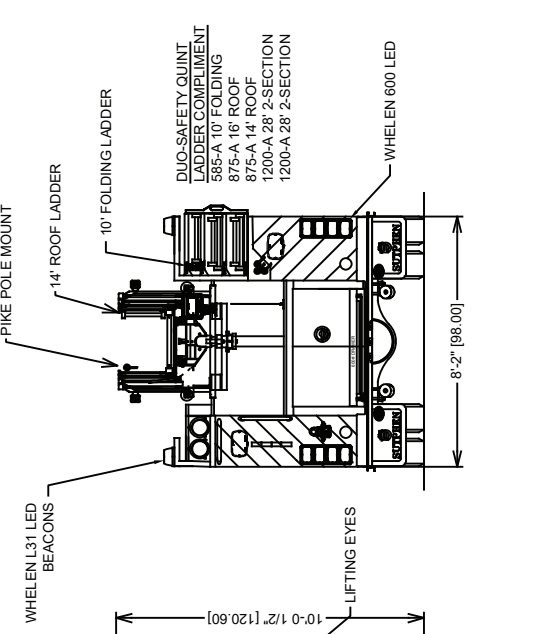
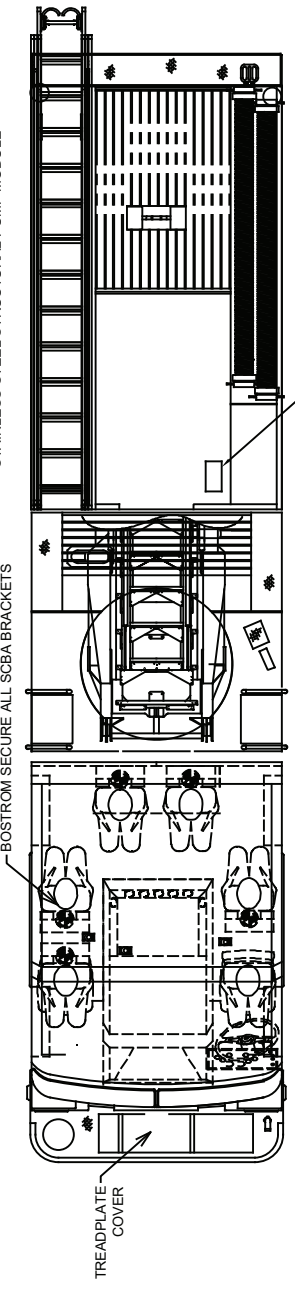
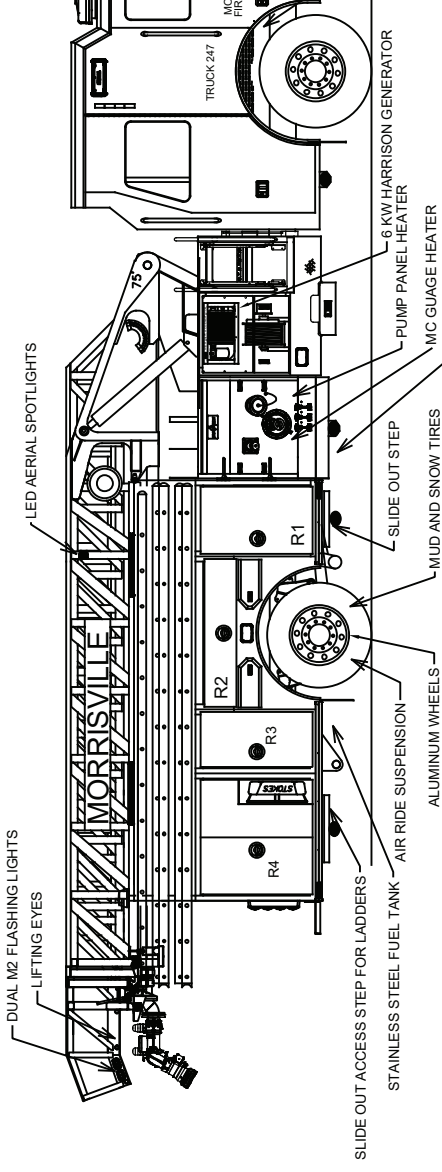
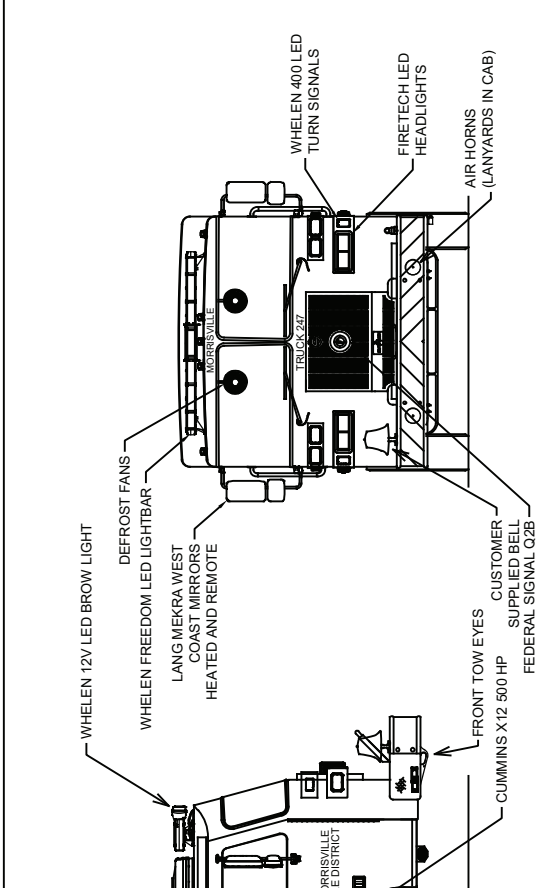


COMP.	DOORS	OPERING DIMENSIONS	VOLUME
L1	HINGED	22.75'W X 53.00'H	18.62 CU. FT.
L2	HINGED	51.50'W X 24.00'H	17.47 CU. FT.
L3	HINGED	17.75'W X 53.00'H	14.93 CU. FT.
L4	HINGED	42.00'W X 53.00'H	28.93 CU. FT.
A1	HINGED	44.50'W X 20.50'H	43.37 CU. FT.

COMP.	DOORS	OPERING DIMENSIONS	VOLUME
R1	HINGED	22.75'W X 38.00'H	17.62 CU. FT.
R2	HINGED	50.00'W X 8.25'H	60.00'W X 14.00'H X 22.75'D
R3	HINGED	17.75'W X 38.00'H	13.47 CU. FT.
R4	HINGED	42.00'W X 38.00'H	27.99 CU. FT.



DRAWN BY: NPC		DATE: 9/28/2020	
MFG. FACILITY: HILLIARD		BY: CAM	
DESCRIPTION: MORRISVILLE FIRE DISTRICT		DATE: 1/13/2021	
CUSTOMER APPROVAL		REV. 1	
NAME:		C.O. ADDED M2 LIGHTS TO AERIAL TURN DOWN	
TITLE:		DESCRIPTION	
DATE:		BY	

DIMENSIONS SHOWN ON THIS DRAWING ARE APPROXIMATE AND ARE SUBJECT TO MINOR DEVIATIONS DURING CONSTRUCTION.  
IN THE EVENT OF A DISCREPANCY BETWEEN THE SUTPHEN SPECIFICATIONS AND DRAWING, THE SUTPHEN SPECIFICATIONS SHALL PREVAIL.  
DRAWING IS FOR REFERENCE ONLY. SOME ITEMS PROPOSED MAY NOT BE SHOWN OR NOTED.