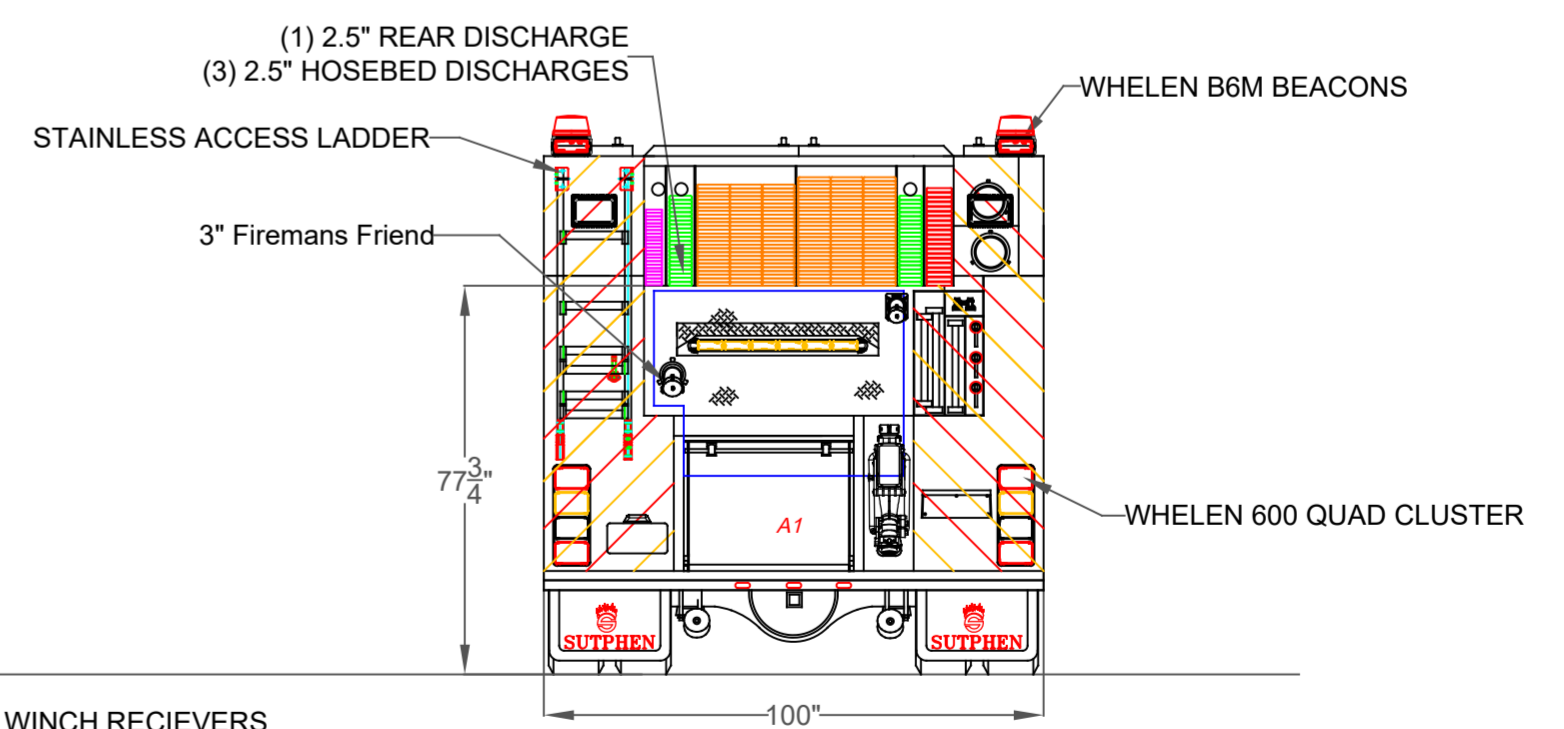
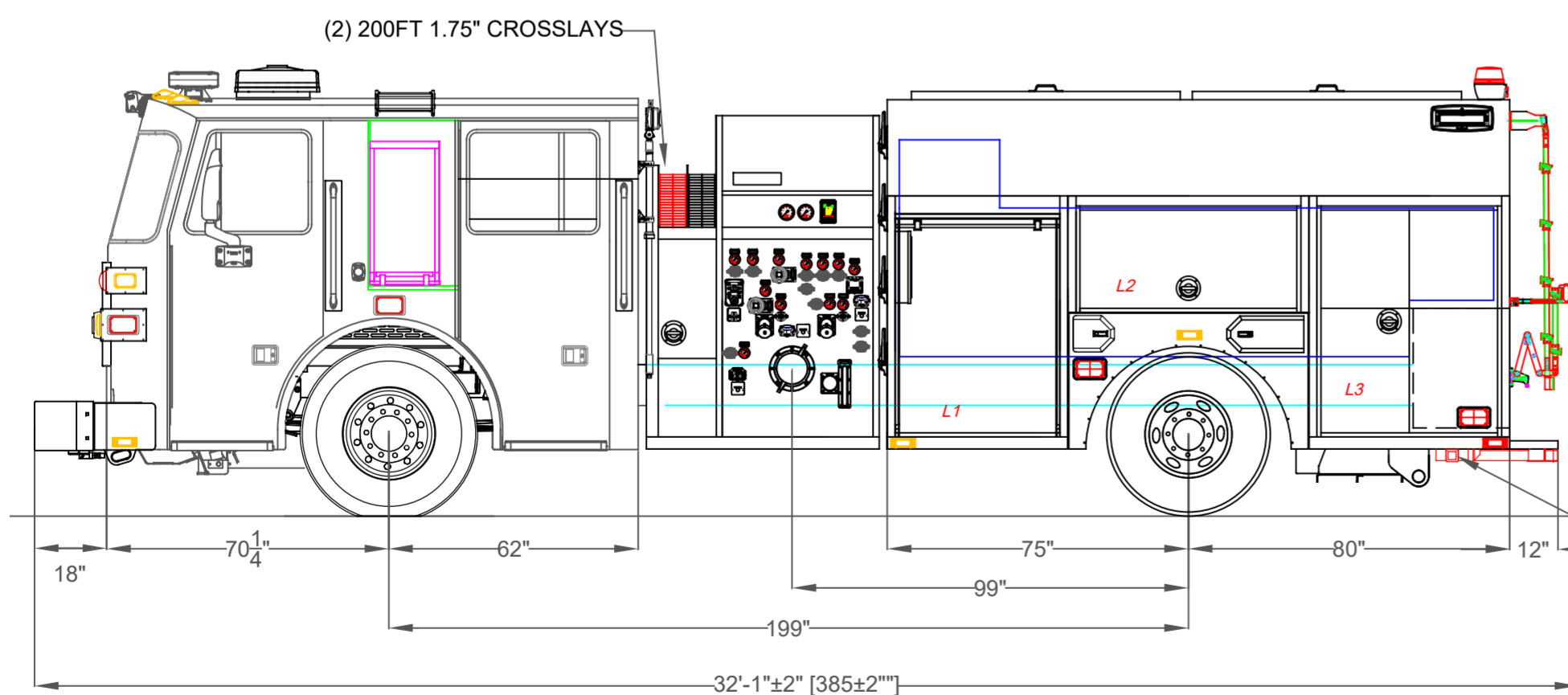


Hose Load
 1:200ft of 1.75" Pre-Connected
 2:200ft of 2.5" Pre-Connected
 3:700ft of 4"
 4:700ft of 4"
 5:200ft of 3" Pre-Connected
 6:200ft of 2.5" Pre-Connected

Left Side Compartmentation				
Compt	Doors	Opening Dimensions	Inside Dimensions	Volume
WxHxD				
L1	Roll Up	39x49	45x59x24.25/18.25	32.9 CU FT
L2	Hinged	53x18	60x28x18.25	17.7 CU FT
L3	Hinged	43x49	50x59x24.25/18.25	36.5 CU FT
Right Side Compartmentation				
Compt	Doors	Opening Dimensions	Inside Dimensions	Volume
R1	Hinged	41x49	45x59x24.25/10.25	27.1 CU FT
R2	Hinged	53x18	60x28x10.25	10.0 CU FT
R3	Hinged	43x49	50x59x24.25/10.25	30.1 CU FT
Rear Compartmentation				
Compt	Doors	Opening Dimensions	Inside Dimensions	Volume
A1	Roll Up	44x26	48x29x22.25	17.9 CU FT
Coffin Compartmentation				
Compt	Doors	Opening Dimensions	Inside Dimensions	Volume
LxHxW				
LH	Hatch	(2) 67x16	155x24x20	43.1 CU FT
RH	Hatch	(1) 67x16	155x14x20	32.7 CU FT

Waterous CSU 1750 Pump
 Water Tank Capacity 1000 gal

Total Volume	247.9 CU FT
--------------	-------------



DIMENSIONS SHOWN ON THIS DRAWING ARE APPROXIMATE AND ARE SUBJECT TO MINOR DEVIATIONS DURING CONSTRUCTION.

IN THE EVENT OF A DISCREPANCY BETWEEN THE SUTPHEN SPECIFICATIONS AND DRAWING, THE SUTPHEN SPECIFICATIONS SHALL PREVAIL.

DRAWING IS FOR REFERENCE ONLY. SOME ITEMS PROPOSED MAY NOT BE SHOWN OR NOTED.

CUSTOMER APPROVAL

NAME: _____

TITLE: _____

DATE: _____

REV.	DESCRIPTION	BY	DATE

THIS PRINT IS PROVIDED ON A RESTRICTED BASIS AND IS NOT TO BE USED IN ANY WAY DETRIMENTAL TO THE INTEREST OF SUTPHEN CORPORATION.

DRAWN BY: J. GORDON

DATE: 11/25/2020

MFG. FACILITY: SUTPHEN EAST LAKE ARIEL, PA

DWG. NO.: HS 6892

SUTPHEN EAST
 55 INNOVATION DRIVE
 LAKE ARIEL, PA
 1-844-776-2889

TILTON FIRE DEPARTMENT
 TILTON, NH

CUSTOM STAINLESS PUMPER