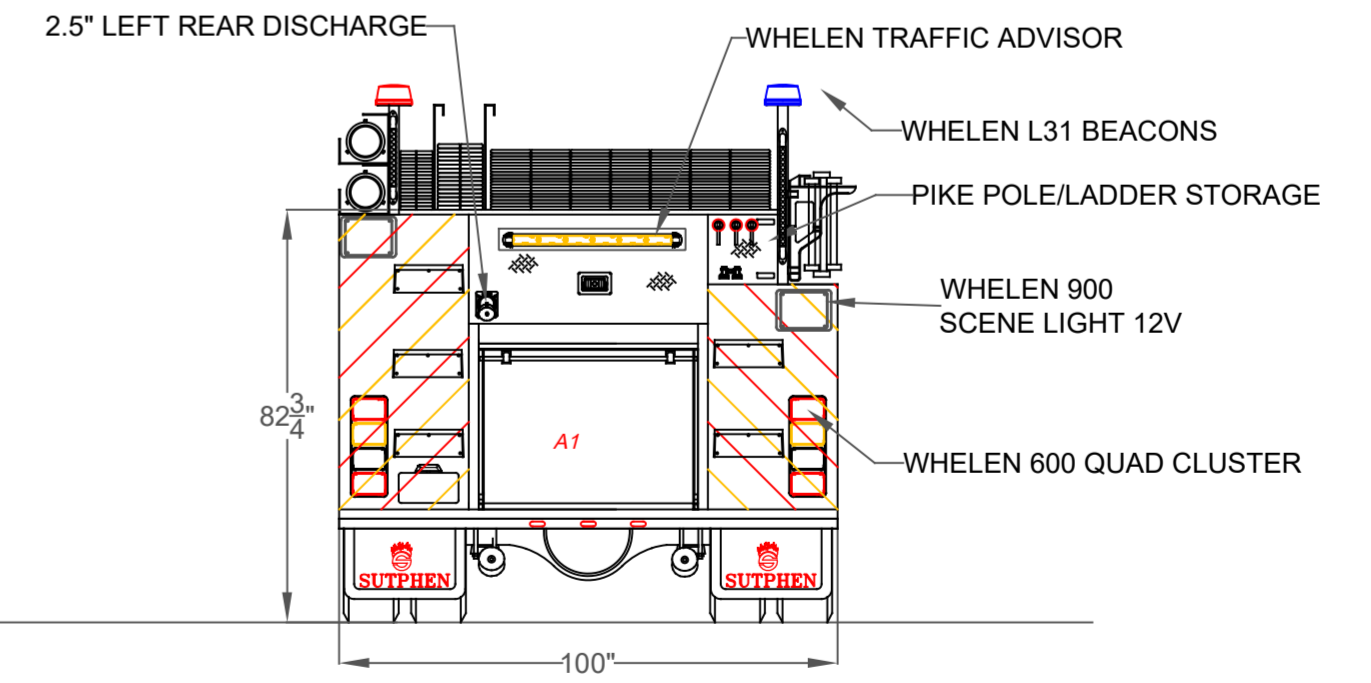
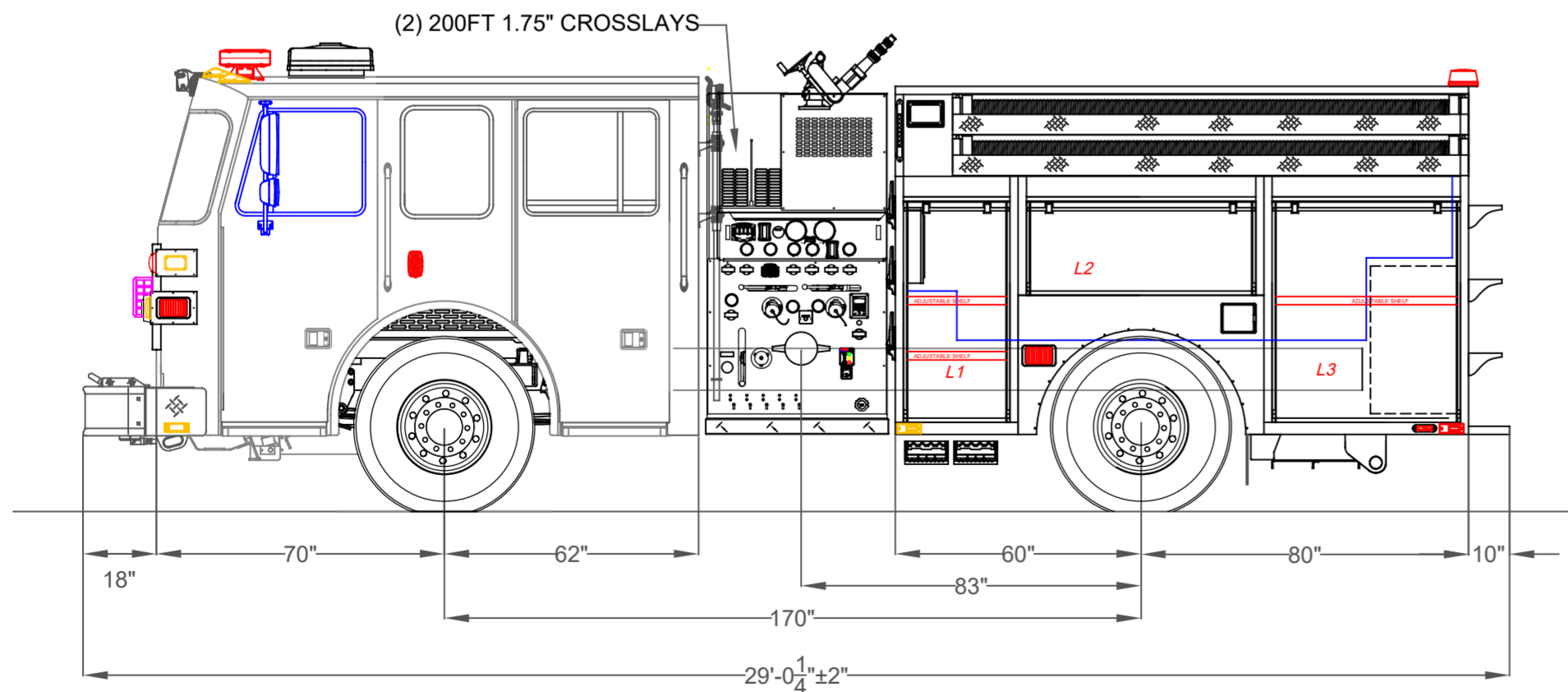


Hose Load
 1:250ft of 1 3/4"
 2:250ft of 2.5"
 3:1000ft of 5"

Left Side Compartmentation				
Compt	Doors	Opening Dimensions	Inside Dimensions	Volume
			WxHxD	
L1	Roll Up	23x49	30x59x24.25	24.8 CU FT
L2	Roll Up	53x18	60x28x24.25	23.6 CU FT
L3	Roll Up	43x49	50x59x24.25	38.9 CU FT
Right Side Compartmentation				
Compt	Doors	Opening Dimensions	Inside Dimensions	Volume
R1	Roll Up	23x35	30x45x24.25	18.9 CU FT
R2	Hinged	53x10	60x14x24.25	11.8 CU FT
R3	Roll Up	43x35	50x45x24.25	29.7 CU FT
Rear Compartmentation				
Compt	Doors	Opening Dimensions	Inside Dimensions	Volume
A1	Roll Up	41x26	48x36x22.25	20.25 CU FT
Total Volume				168.0 CU FT

Hale Qmax 1500 single stage
Water Tank Capacity 750 gal
Foam Tank Capacity 20 gal



DIMENSIONS SHOWN ON THIS DRAWING ARE APPROXIMATE AND ARE SUBJECT TO MINOR DEVIATIONS DURING CONSTRUCTION. IN THE EVENT OF A DISCREPANCY BETWEEN THE SUTPHEN SPECIFICATIONS AND DRAWING, THE SUTPHEN SPECIFICATIONS SHALL PREVAIL. DRAWING IS FOR REFERENCE ONLY. SOME ITEMS PROPOSED MAY NOT BE SHOWN OR NOTED.	CUSTOMER APPROVAL						DRAWN BY: S.DORFMAN		SUTPHEN EAST 55 INNOVATION DRIVE LAKE ARIEL, PA 1-844-776-2889	
	NAME:						DATE: 9-2-20		WENHAM FIRE DEPARTMENT WENHAM, MA	
	TITLE:		A		CHANGE ORDER A (PRE-CON)		MFG. FACILITY: SUTPHEN EAST LAKE ARIEL, PA		CUSTOM PROGRAM 2 S-1 STS PUMPER	
	DATE:		REV.		DESCRIPTION		BY	DATE	DWG. NO.: HS 6889	
THIS PRINT IS PROVIDED ON A RESTRICTED BASIS AND IS NOT TO BE USED IN ANY WAY DETRIMENTAL TO THE INTEREST OF SUTPHEN CORPORATION.										