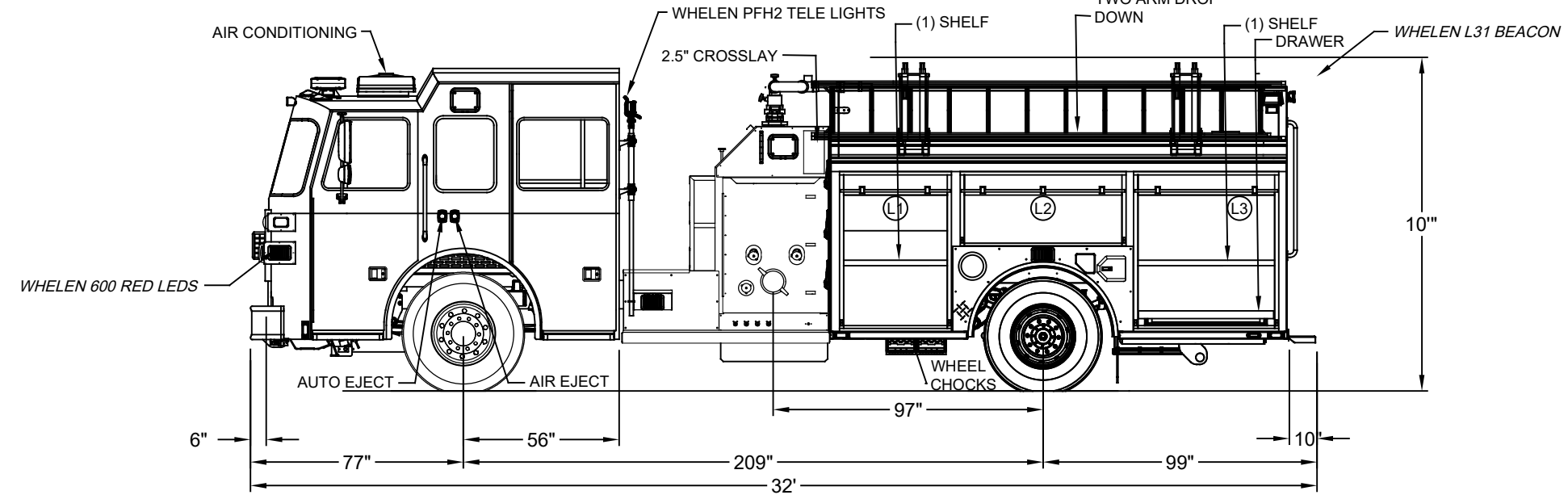
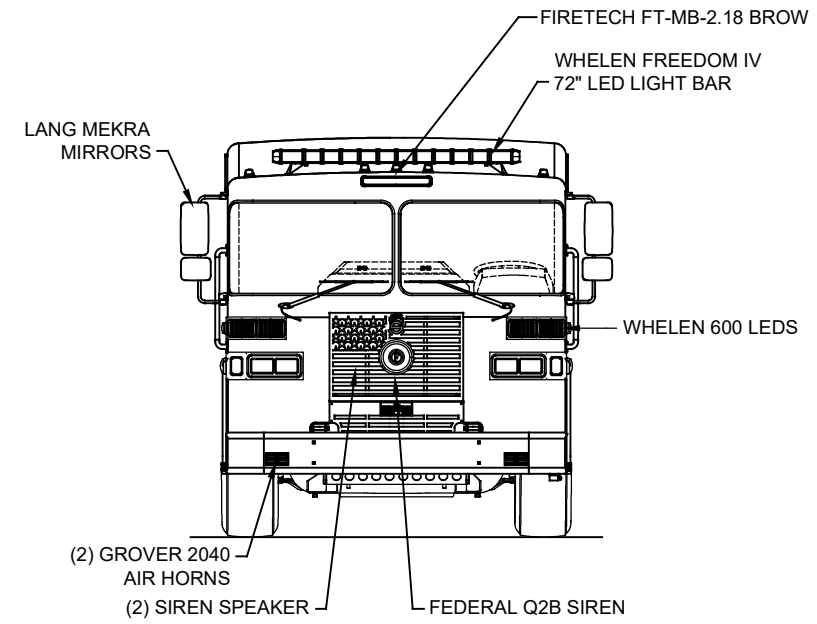
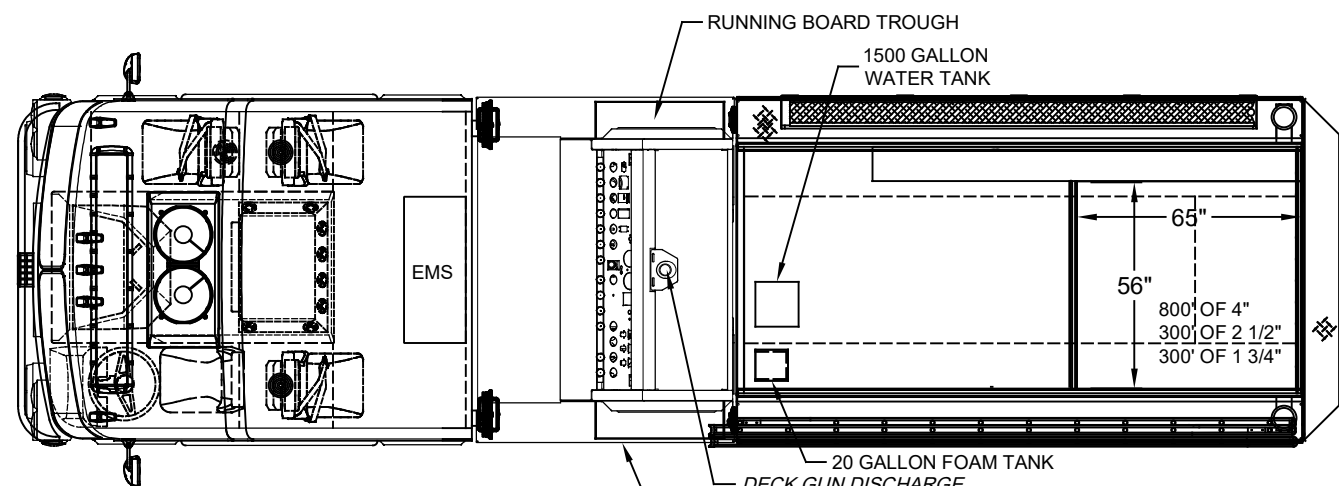


LEFT SIDE COMPARTMENTS				
COMPT	DOORS	OPENING DIMENSIONS	INSIDE DIMENSIONS	VOLUME
L1	ROLL-UP	37.5\"/>		

RIGHT SIDE COMPARTMENTS				
COMPT	DOORS	OPENING DIMENSIONS	INSIDE DIMENSIONS	VOLUME
R1	ROLL-UP	37.5\"/>		

REAR STEP COMPARTMENT				
COMPT	DOORS	OPENING DIMENSIONS	INSIDE DIMENSIONS	VOLUME
A1	ROLL-UP	36.75\"/>		

TOTAL: 186.0 CU.FT.



DIMENSIONS SHOWN ON THIS DRAWING ARE APPROXIMATE AND ARE SUBJECT TO MINOR DEVIATIONS DURING CONSTRUCTION.

IN THE EVENT OF A DISCREPANCY BETWEEN THE SUTPHEN SPECIFICATIONS AND DRAWING, THE SUTPHEN SPECIFICATIONS SHALL PREVAIL.

DRAWING IS FOR REFERENCE ONLY. SOME ITEMS PROPOSED MAY NOT BE SHOWN OR NOTED.

CUSTOMER APPROVAL

NAME: _____

TITLE: _____

DATE: _____

REV.	DESCRIPTION	BY	DATE
D	ADDED HOSE LOAD AND DIMENSIONS	RC	6/10/21
C	ADDED LADDER RACK EXTEND DOWN	AA	12/3/20
B	UPDATED TO REFLECT CHANGES IN SHOP ORDER REV D	RC	11/30/20
A	UPDATED TO REFLECT CHANGES IN SHOP ORDER	AA	10/15/20

DRAWN BY: A.ALEXANDER

DATE: 8/20/2020

MFG. FACILITY: URBANA

LODI FIRE DEPARTMENT
LODI, OH

CUSTOM PUMPER - PROGRAM 1

DWG. NO.: HS-6862