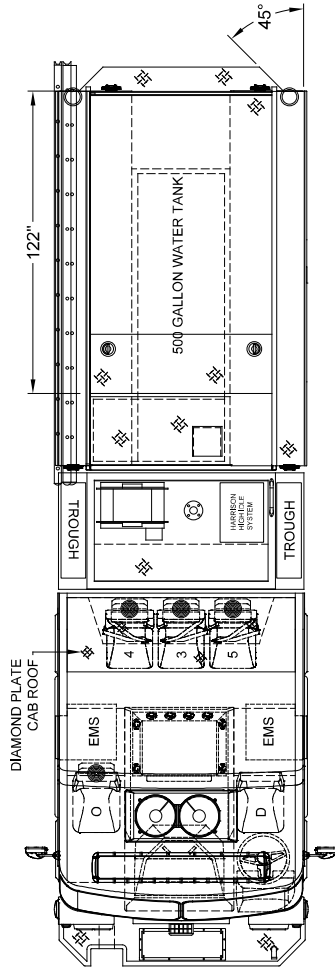
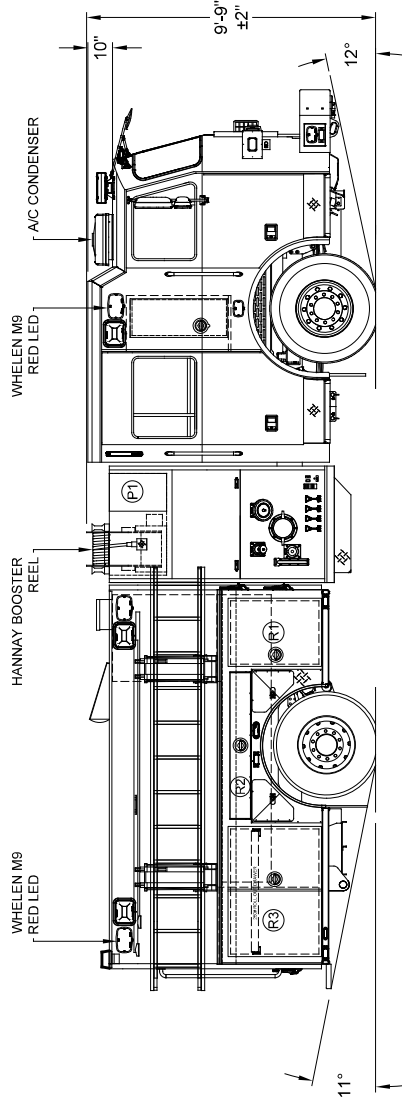


**HOSE LOAD RACK**

- 200 OF 1.88"
- 500 OF 2.5"
- 200 OF 2.5"
- 400 OF 1.88"
- 800 OF 5"

**LADDER RACK**

- 24" 2" SUC
- 14" ROOF
- 10" FOLDING
- (2) NY ROOF HOOKS



COMP	DOORS	OPENING DIMENSIONS	INSIDE DIMENSIONS	VOLUME
L1	SINGLE	23.5"W X 64.4"H	31.1"W X 72.7"H X 27.3"D	35.4 CU.FT.
L2	LIFT-UP	55.0"W X 37.9"H	61.6"W X 42.8"H X 27.3"D	41.6 CU.FT.
L3	DOUBLE	48.5"W X 64.4"H	58.4"W X 72.7"H X 27.3"D	59.6 CU.FT.

UPPER DIMENSIONS: 35" H x 12"D  
UPPER DIMENSIONS: 35" H x 12"D

COMP	DOORS	OPENING DIMENSIONS	INSIDE DIMENSIONS	VOLUME
R1	SINGLE	23.5"W X 32.4"H	31.1"W X 40.7"H X 27.3"D	28.3 CU.FT.
R2	PROP DOWN	57.0"W X 7.3"H	59"W X 8.5"H X 18.5"D	5.4 CU.FT.
R3	DOUBLE	48.5"W X 32.4"H	58.4"W X 40.7"H X 27.3"D	47.7 CU.FT.

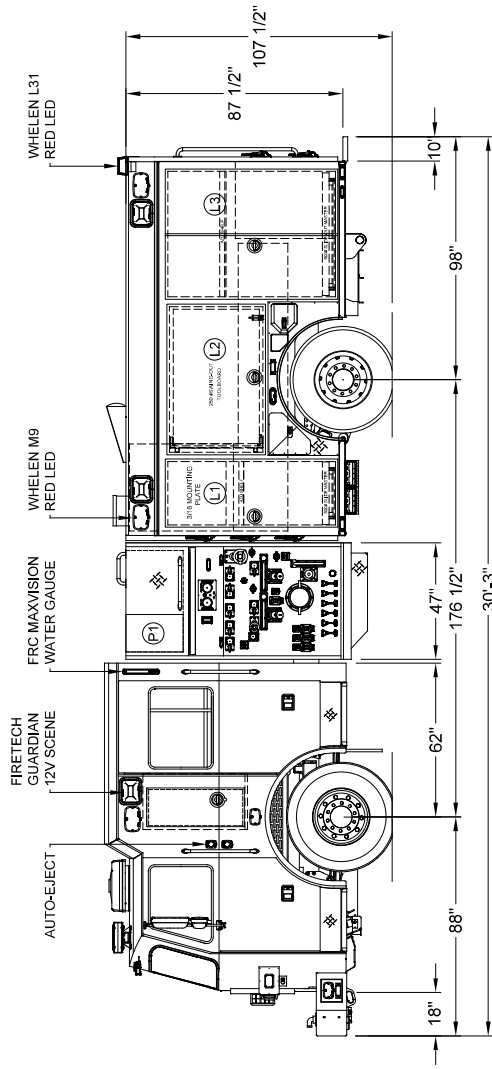
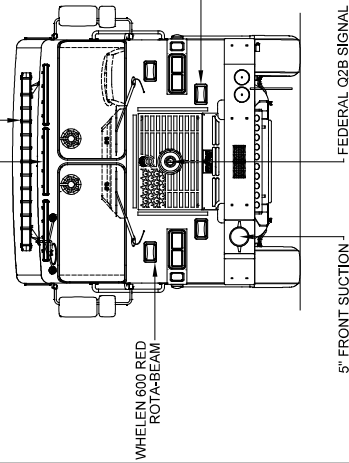
COMP	DOORS	OPENING DIMENSIONS	INSIDE DIMENSIONS	VOLUME
A1	ROLL UP	37.0"W X 27.8"H	40"W X 37"H X 31"D	28.1 CU.FT.

TOTAL: 228.6 CU.FT.

FIRETECH 3-PIECE 12V BROW

WHELEN FREEDOM IV 72" LED LIGHTBAR (16 MODULE)

TWO TONE CAB PAINT BREAK OPTION #1 WHITE OVER RED



**SUTPHEN**  
CITY OF DURHAM FIRE DEPARTMENT  
DURHAM, NC  
CUSTOM PUMPER - PA-11  
DWS. NO. HS-8848-65

REV.	DESCRIPTION	DATE	BY	DATE	TF	DATE	DRAWN BY
W	DELETED EMERGENCY SPRING BRAKE RELEASE	11/23/2021	TF	11/23/2021	TF	11/23/2021	T.FAHOUM
V	REFERENCE SHOP ORDER CHANGE DOCUMENT ON SHARED DRIVE	11/10/2021	TF	11/10/2021	TF	07/17/2020	
U	REAR SUCTION ADAPTER BRAND CHANGED FROM TTT TO HARRINGTON	11/01/2021	TF	11/01/2021	KG	10/19/2021	
T	UPDATED THE CLARIFICATION NOTES FOR THE CAMERA MOUNTING LOCATIONS		KG	10/19/2021			

DIMENSIONS SHOWN ON THIS DRAWING ARE APPROXIMATE AND ARE SUBJECT TO MINOR DEVIATIONS DURING CONSTRUCTION.

IN THE EVENT OF A DISCREPANCY BETWEEN THE SUTPHEN SPECIFICATIONS AND DRAWING, THE SUTPHEN SPECIFICATIONS SHALL PREVAIL.

DRAWINGS FOR REFERENCE ONLY, SOME ITEMS PROPOSED MAY NOT BE SHOWN OR NOTED.

CUSTOMER APPROVAL

NAME: \_\_\_\_\_

TITLE: \_\_\_\_\_

DATE: \_\_\_\_\_

THIS PRINT IS PROVIDED ON A RESTRICTED BASIS AND IS NOT TO BE USED IN ANY WAY DETRIMENTAL TO THE INTEREST OF SUTPHEN CORPORATION.