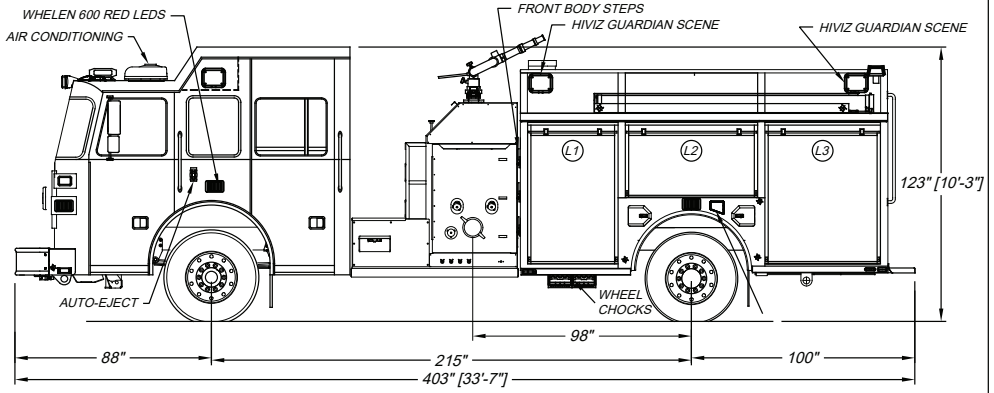
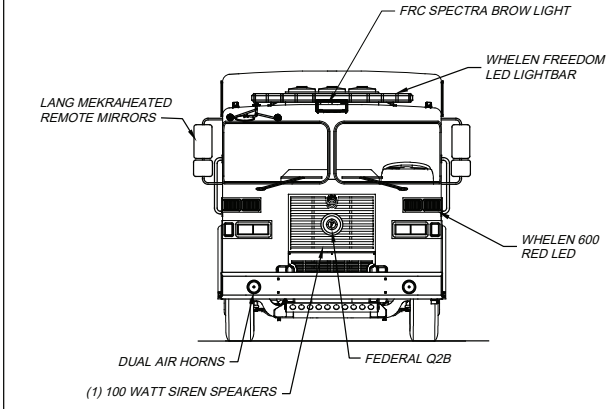


LEFT SIDE COMPARTMENTATION				
COMPT	DOORS	INSIDE DIMENSIONS	DOOR OPENING DIMENSIONS	VOLUME
L1	ROLL-UP	40\"/>		

RIGHT SIDE COMPARTMENTATION				
COMPT	DOORS	INSIDE DIMENSIONS	DOOR OPENING DIMENSIONS	VOLUME
R1	ROLL-UP	40\"/>		

REAR STEP COMPARTMENT				
COMPT	DOORS	INSIDE DIMENSIONS	DOOR OPENING DIMENSIONS	VOLUME
A1	ROLL-UP	39 1/2\"/>		

BASE STORAGE: 222 CU. FT.



DIMENSIONS SHOWN ON THIS DRAWING ARE APPROXIMATE AND ARE SUBJECT TO MINOR DEVIATIONS DURING CONSTRUCTION. IN THE EVENT OF A DISCREPANCY BETWEEN THE SUTPHEN SPECIFICATIONS AND DRAWING, THE SUTPHEN SPECIFICATIONS SHALL PREVAIL. DRAWING IS FOR REFERENCE ONLY. SOME ITEMS PROPOSED MAY NOT BE SHOWN OR NOTED.	CUSTOMER APPROVAL NAME: _____ TITLE: _____ DATE: _____		A REV.	ADDED CHEVRON ABOVE A1, "D" PLATE AT REAR SUCTION, A1 DOOR OPENING DIMENSIONS DESCRIPTION	R.C. BY	10/8/20 DATE	DRAWN BY: A.ALEXANDER DATE: 8/10/2020 MFG. FACILITY: URBANA	 BROOKVILLE VOLUNTEER FIRE COMPANY BROOKVILLE, PA PROGRAM 1 CUSTOM PUMPER HS-8841
	THIS PRINT IS PROVIDED ON A RESTRICTED BASIS AND IS NOT TO BE USED IN ANY WAY DETRIMENTAL TO THE INTEREST OF SUTPHEN CORPORATION.							