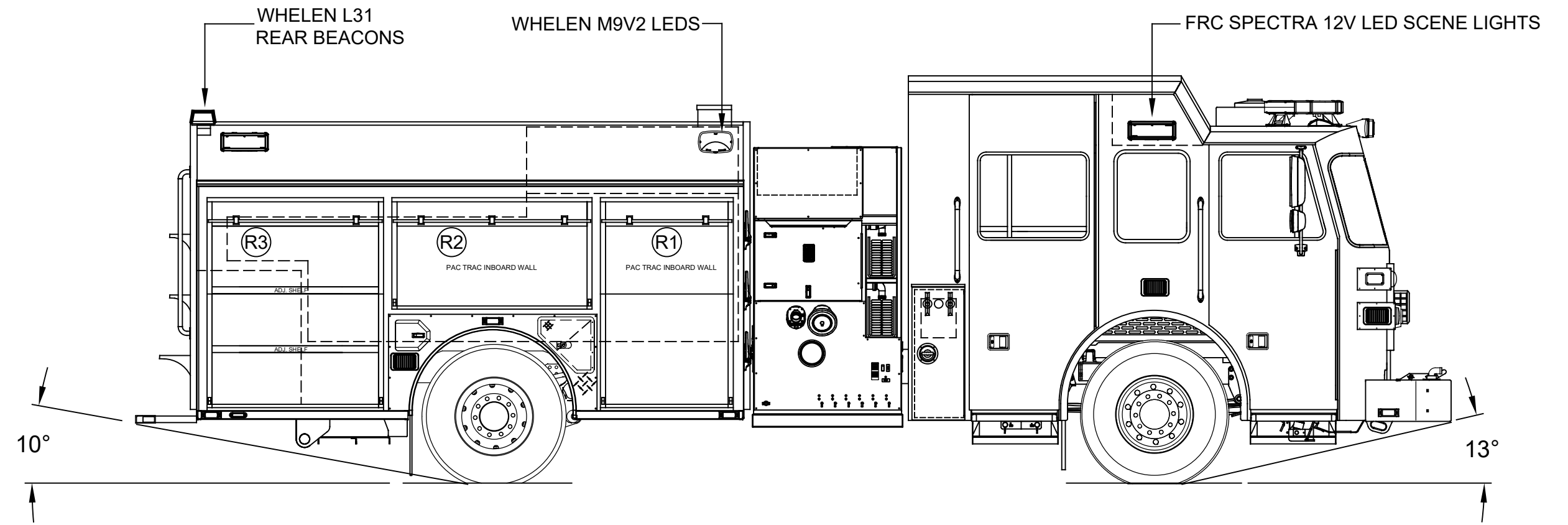


HOSE LOAD
800' OF 5"
600' OF 2.5"
300' OF 1.75"

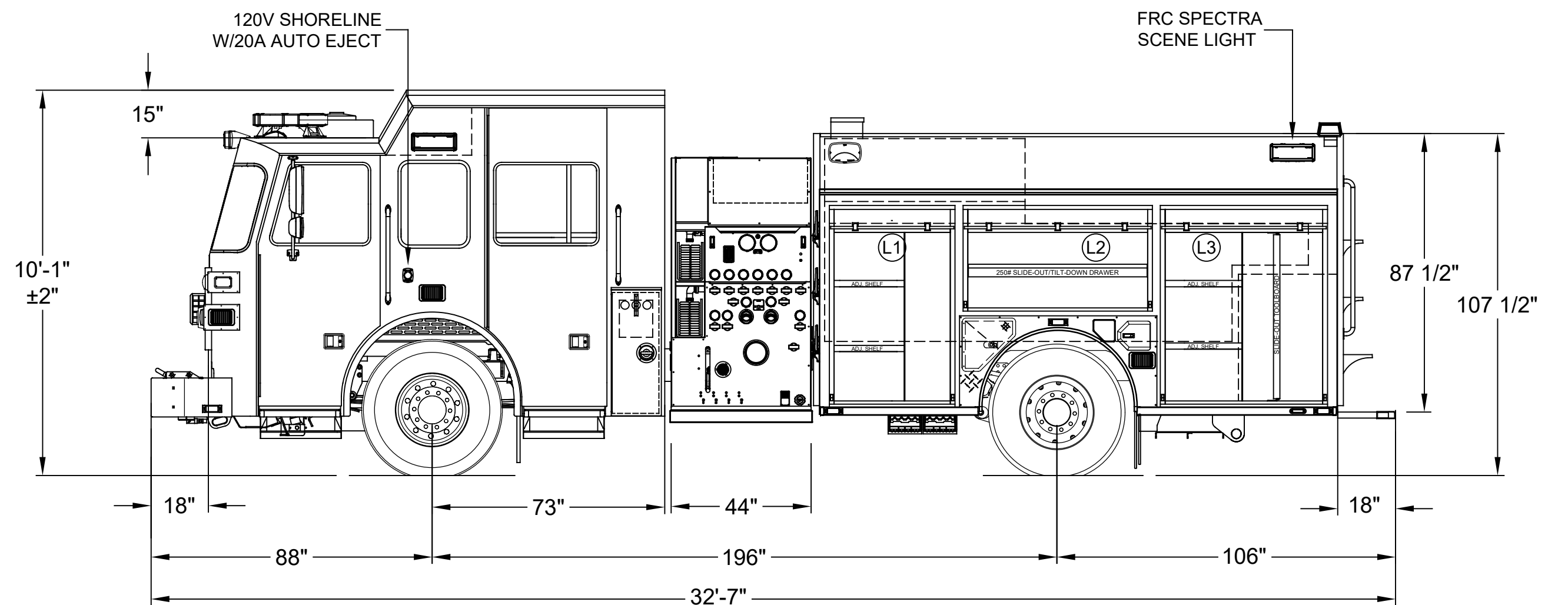
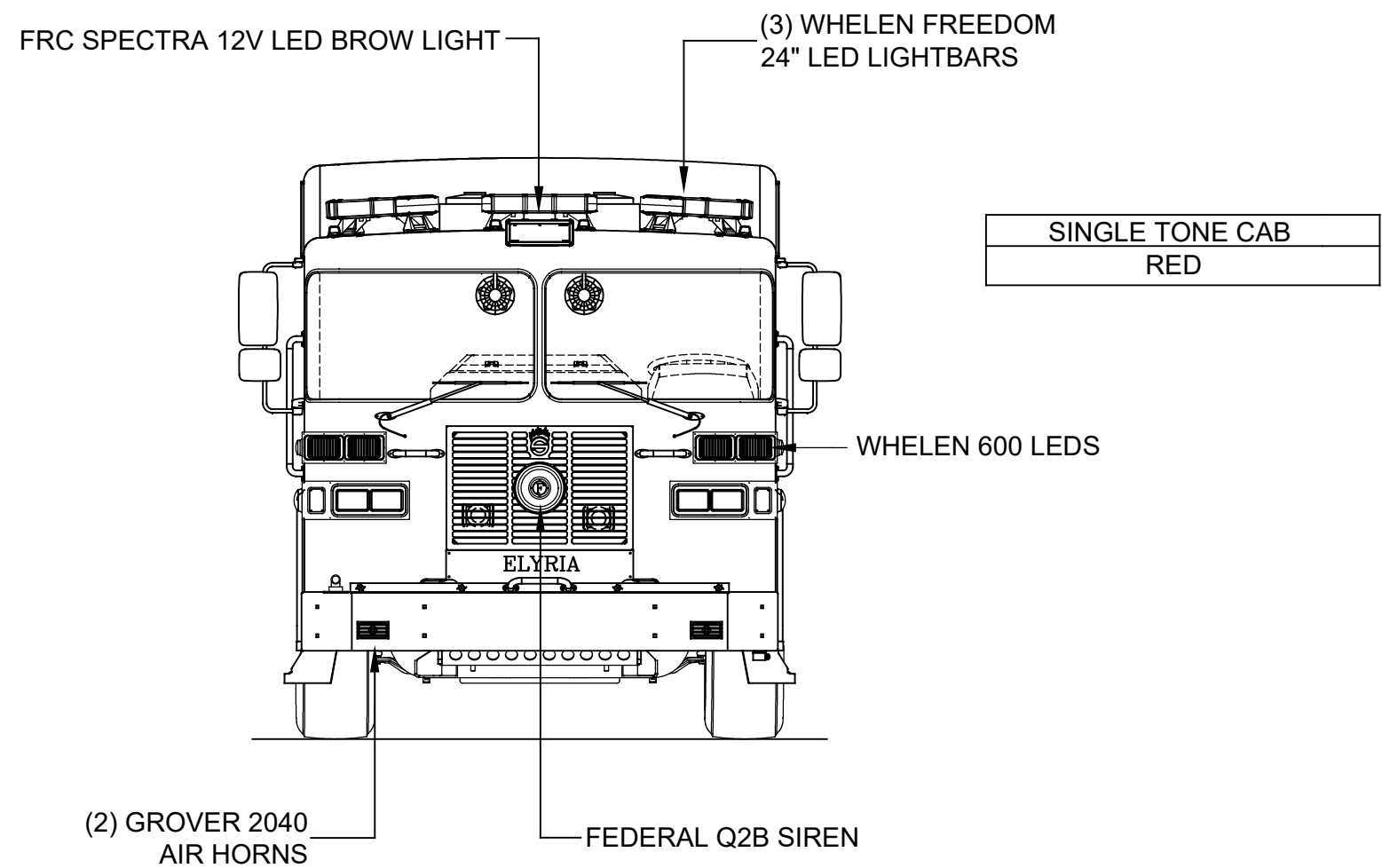
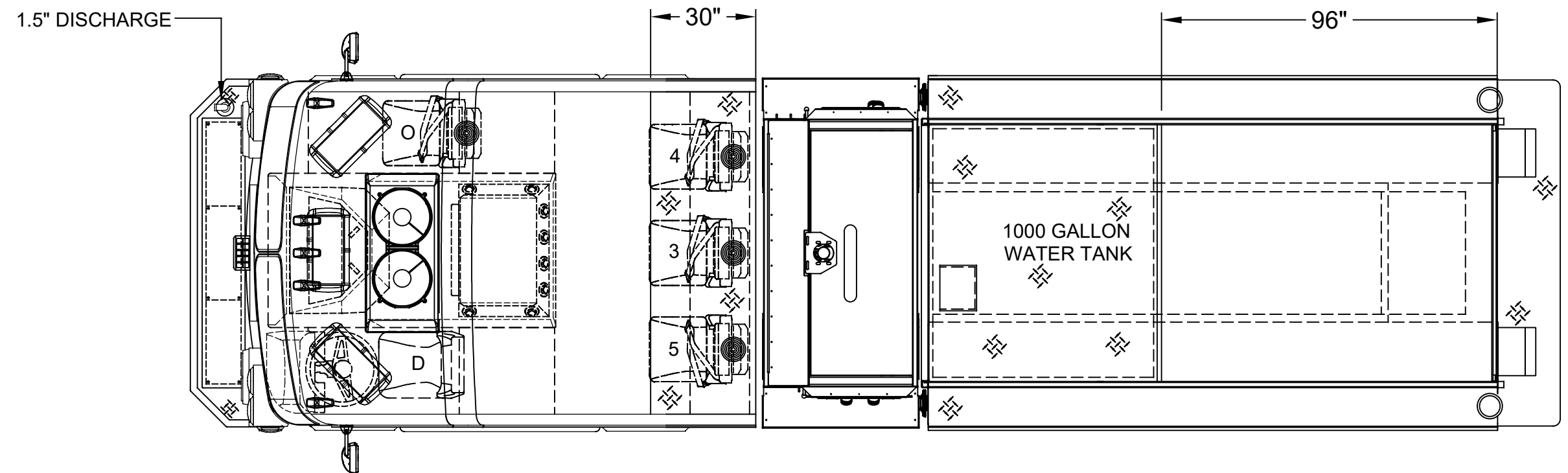
DUO-SAFETY LADDERS
(1) 24' 2-SEC
(1) 14' ROOF
(1) 10' FOLDING
(1) BACKBOARD STOR
(3) PIKE POLE STOR



LEFT SIDE COMPARTMENTS				
COMPT	DOORS	OPENING DIMENSIONS	INSIDE DIMENSIONS	VOLUME
L1	ROLL-UP	37.5" w X 55.4" h	43.1" w X 66" h X 27.3" d	40.8 CU. FT. (10" h X 10.5" d UPPER)
L2	ROLL-UP	57.5" w X 26.2" h	61.6" w X 36.8" h X 27.3" d	29.8 CU. FT. (10" h X 10.5" d UPPER)
L3	ROLL-UP	50.5" w X 55.4" h	53.4" w X 66" h X 27.3" d	50.5 CU. FT. (10" h X 10.5" d UPPER)

RIGHT SIDE COMPARTMENTS				
COMPT	DOORS	OPENING DIMENSIONS	INSIDE DIMENSIONS	VOLUME
R1	ROLL-UP	37.5" w X 55.4" h	43.1" w X 66" h X 27.3" d	31.1 CU. FT. (33" h X 10.5" d UPPER)
R2	ROLL-UP	57.5" w X 26.2" h	61.6" w X 36.8" h X 10.5" d	13.8 CU. FT. (33" h X 10.5" d UPPER)
R3	ROLL-UP	50.5" w X 52.4" h	53.4" w X 66" h X 27.3" d	38.6 CU. FT. (33" h X 10.5" d UPPER)

REAR STEP COMPARTMENT				
COMPT	DOORS	OPENING DIMENSIONS	INSIDE DIMENSIONS	VOLUME
A1	ROLL-UP	37.5" w X 30.8" h	40" w X 40" h X 31" d	28.7 CU. FT.
TOTAL:				233.3 CU.FT.



DIMENSIONS SHOWN ON THIS DRAWING ARE APPROXIMATE AND ARE SUBJECT TO MINOR DEVIATIONS DURING CONSTRUCTION.

IN THE EVENT OF A DISCREPANCY BETWEEN THE SUTPHEN SPECIFICATIONS AND DRAWING, THE SUTPHEN SPECIFICATIONS SHALL PREVAIL.

DRAWING IS FOR REFERENCE ONLY. SOME ITEMS PROPOSED MAY NOT BE SHOWN OR NOTED.

CUSTOMER APPROVAL

NAME: _____

TITLE: _____

DATE: _____

REV.	DESCRIPTION	BY	DATE
H	MINOR UPDATES TO THE SHOP ORDER DWG TO MATCH FINAL BUILD	KMG	07/13/2021
G	CLARIFIED 1.5" SWIVELS FOR (2) SPEEDLAYS ; INSTALL PLATE OVER OPEN HOLE IN XLAY FLOOR	RM	06/30/2021
F	UPDATED CALL OUT FOR REAR FENDER LIGHTS FROM WHELEN 500 TO WHELEN 600	TF	06/15/2021
E	REVISED SHOP ORDER DRAWING TO SHOW THE TRAFFIC ADVISOR RECESSED	KMG	04/07/2021

THIS PRINT IS PROVIDED ON A RESTRICTED BASIS AND IS NOT TO BE USED IN ANY WAY DETRIMENTAL TO THE INTEREST OF SUTPHEN CORPORATION.

DRAWN BY: KGOON

DATE: 08/07/2020

MFG. FACILITY: DUBLIN

SUTPHEN

ELYRIA FIRE DEPARTMENT
ELYRIA, OH

CUSTOM PUMPER - S2

DWG. NO.: HS-6825