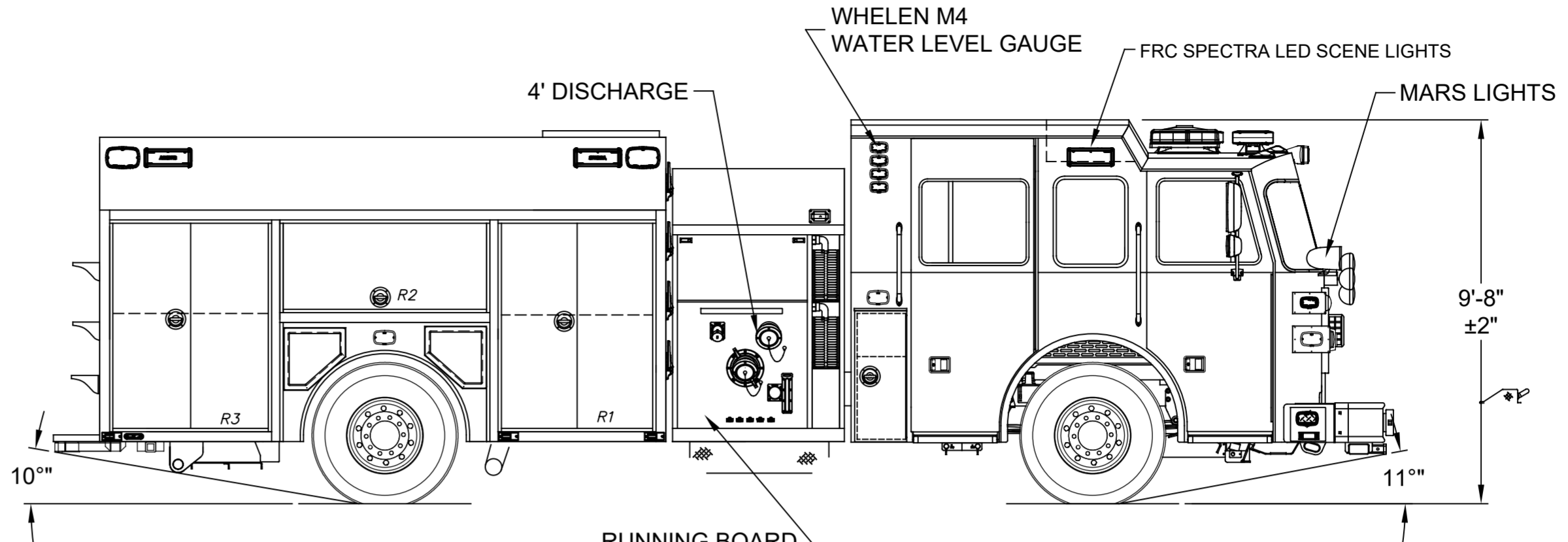
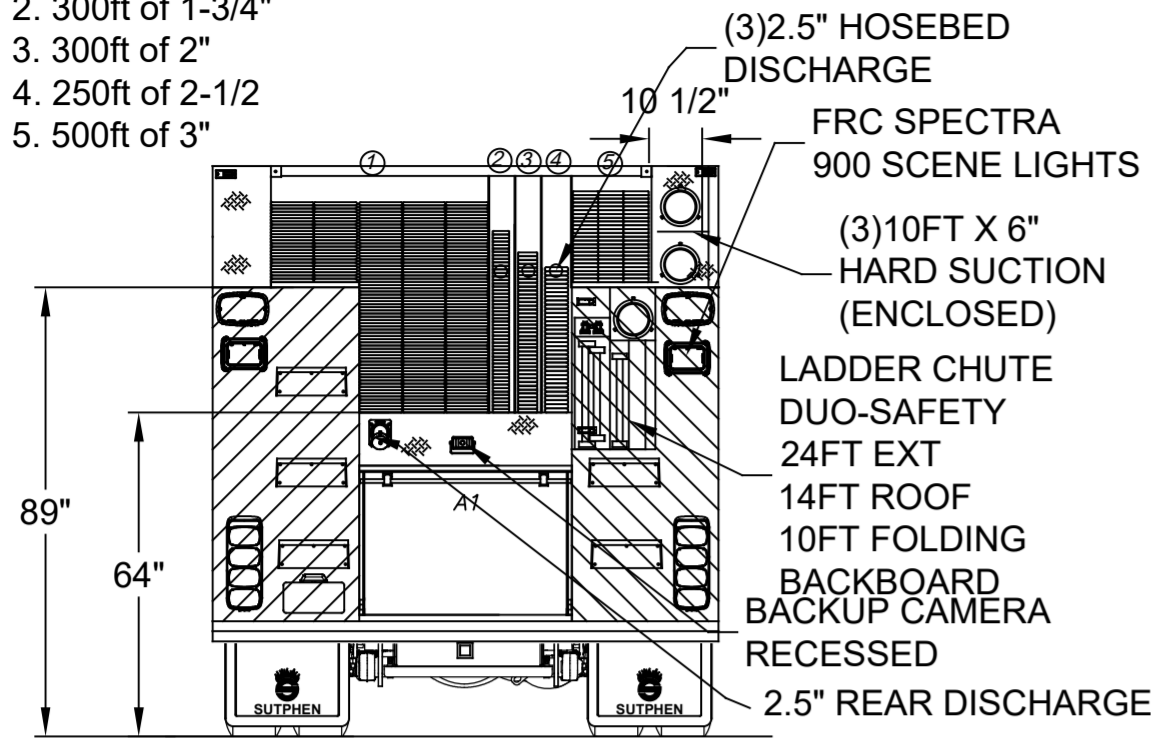
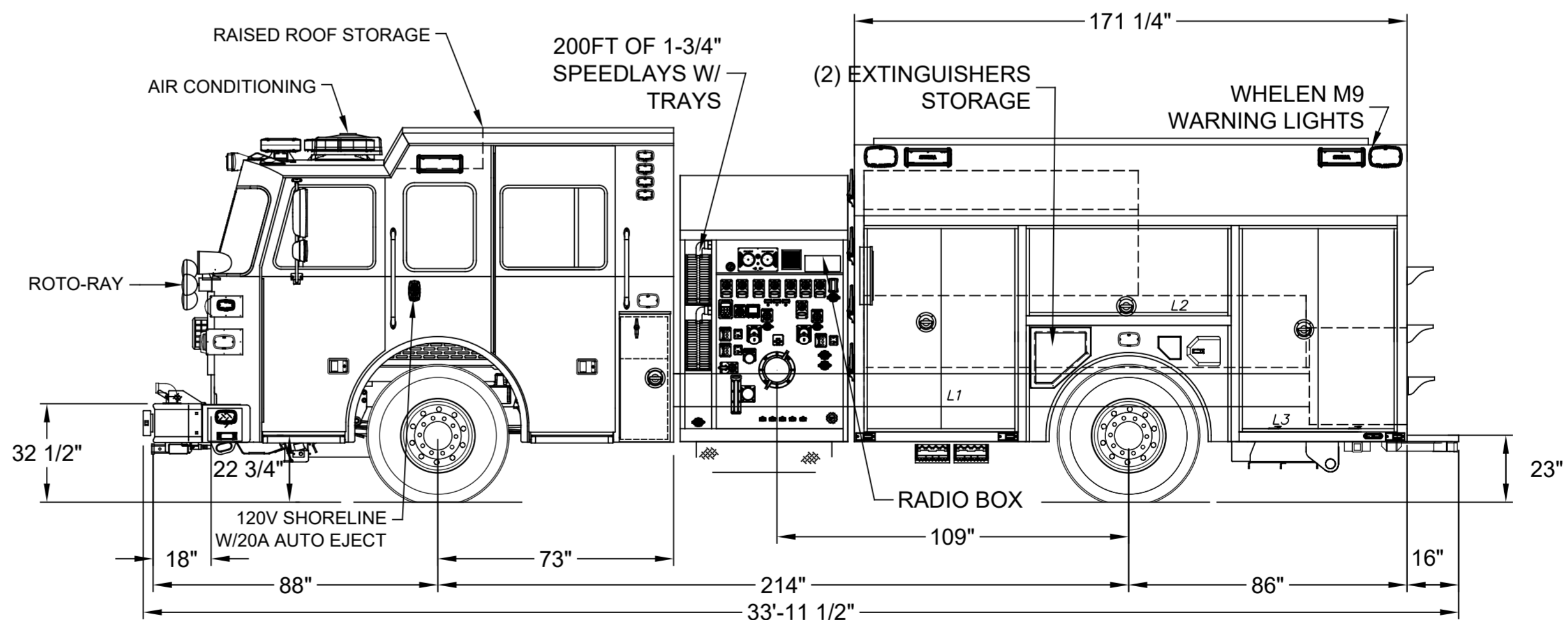
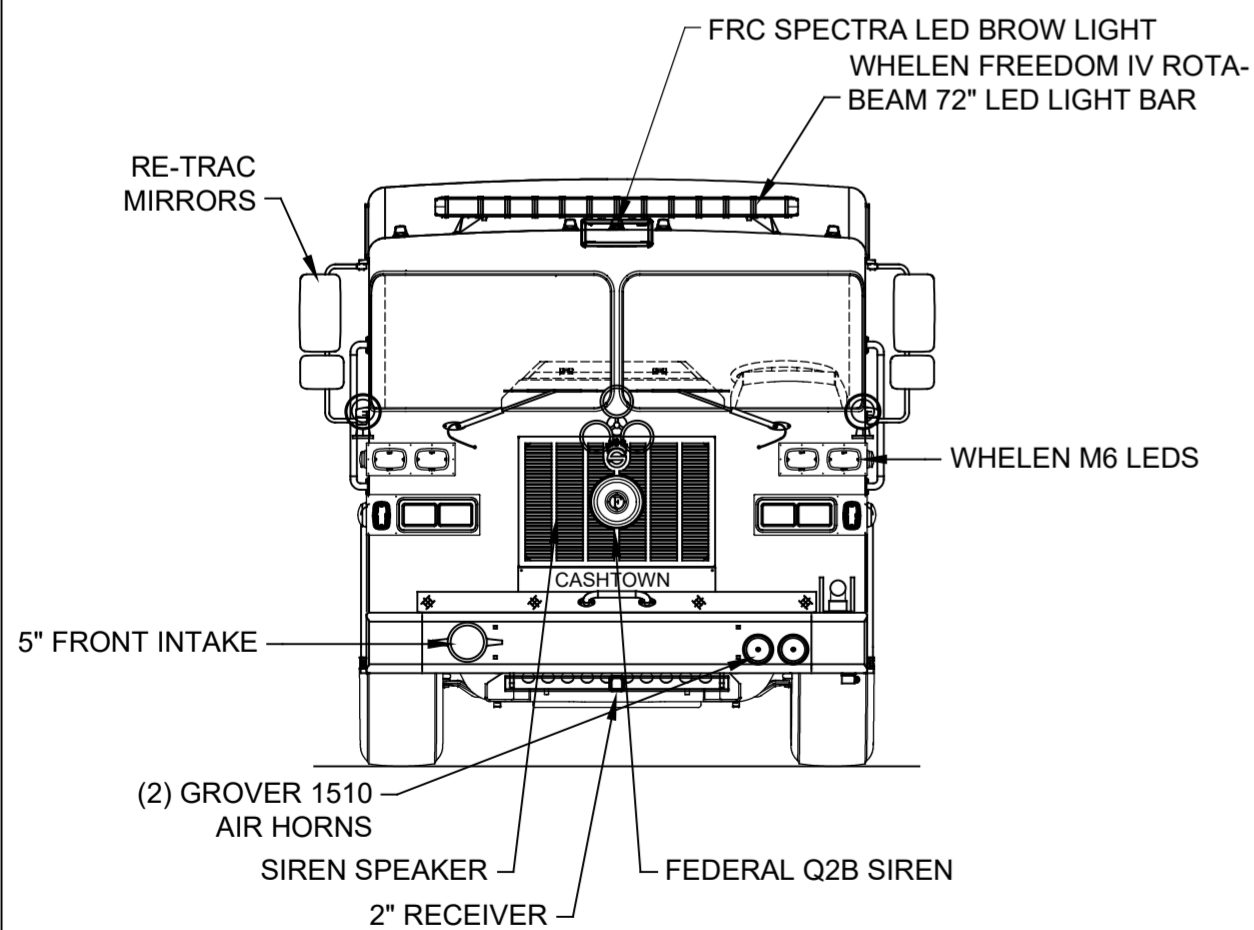
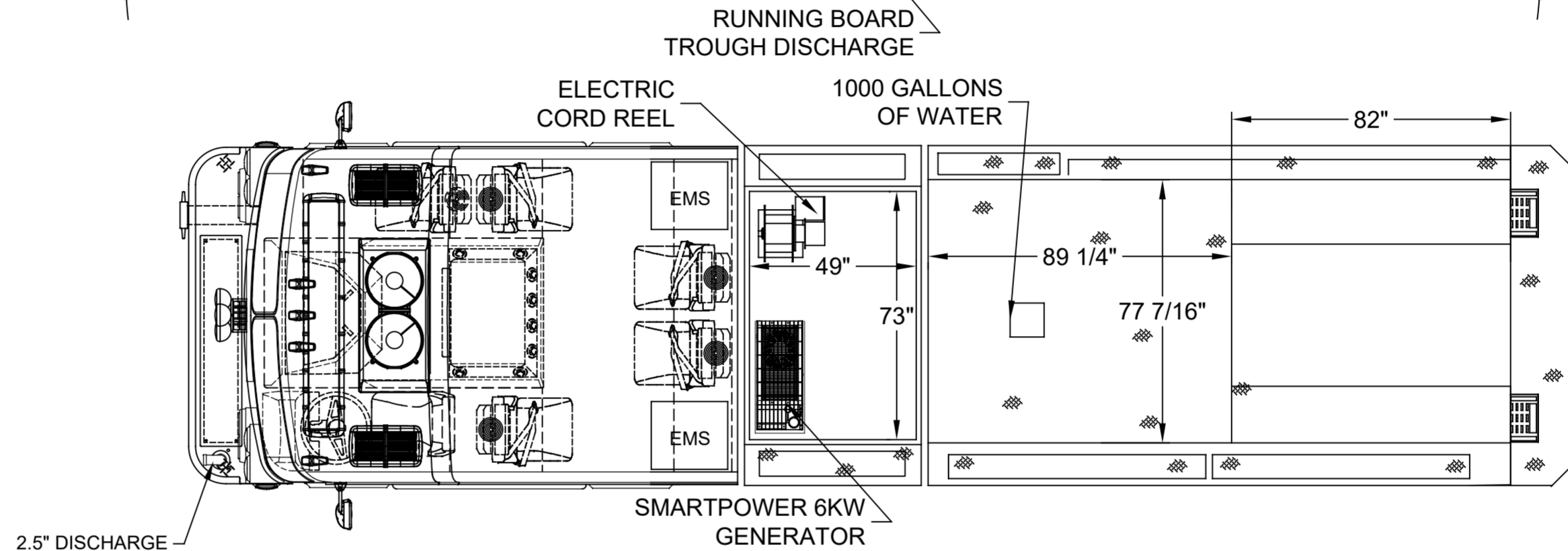


**Hose Load**

1. 1500ft of 5"
2. 300ft of 1-3/4"
3. 300ft of 2"
4. 250ft of 2-1/2"
5. 500ft of 3"



Left Side Compartmentation				
Compt	Doors	Opening Dimensions	Inside Dimensions	Volume
WxHxD				
L1	HINGE	45x56	52x66x27.25	55.2 CU FT
L2	HINGE	59x22	66x30x27.25	32.3 CU FT
L3	HINGE	46x56	53x66x27.25	55.2 CU FT
Right Side Compartmentation				
Compt	Doors	Opening Dimensions	Inside Dimensions	Volume
R1	HINGE	46x56	52x66x10.25/27.25	38.5 CU FT
R2	HINGE	57x22	66x30x10.25	12.2 CU FT
R3	HINGE	46x56	53x66x10.25/27.25	38.5 CU FT
Rear Compartmentation				
Compt	Doors	Opening Dimensions	Inside Dimensions	Volume
A1	Roll Up	35X20	42x30x28.25	20.6 CU FT
<b>HALE QMAX 1500 SINGLE STAGE PUMP</b>				<b>Total Volume</b>
				252.5 CU Ft



DIMENSIONS SHOWN ON THIS DRAWING ARE APPROXIMATE AND ARE SUBJECT TO MINOR DEVIATIONS DURING CONSTRUCTION.

IN THE EVENT OF A DISCREPANCY BETWEEN THE SUTPHEN SPECIFICATIONS AND DRAWING, THE SUTPHEN SPECIFICATIONS SHALL PREVAIL.

DRAWING IS FOR REFERENCE ONLY. SOME ITEMS PROPOSED MAY NOT BE SHOWN OR NOTED.

**CUSTOMER APPROVAL**

NAME: \_\_\_\_\_

TITLE: \_\_\_\_\_

DATE: \_\_\_\_\_

REV.	DESCRIPTION	BY	DATE
D-E	DELETE LETTERING, ADD HOSE BED BAR, CUT DOWN DIVIDERS	SED	6/21/21
C	DELETE FRONT CAB HANDRAILS AND SHELVEING	SED	1/18/21
B	ADDED PUMP SHIFT OVERRIDE	SED	7/27/20
A	CHANGE ORDER FROM PRE-CON	SED	6/5/20

THIS PRINT IS PROVIDED ON A RESTRICTED BASIS AND IS NOT TO BE USED IN ANY WAY DETRIMENTAL TO THE INTEREST OF SUTPHEN CORPORATION.

DRAWN BY:  
S. DORFMAN

DATE:  
1/9/2020

MFG. FACILITY:  
EAST

**SUTPHEN**

CASH TOWN VFC  
CASH TOWN, PA

CUSTOM PUMPER - PA-12

DWG. NO.: HS-6808