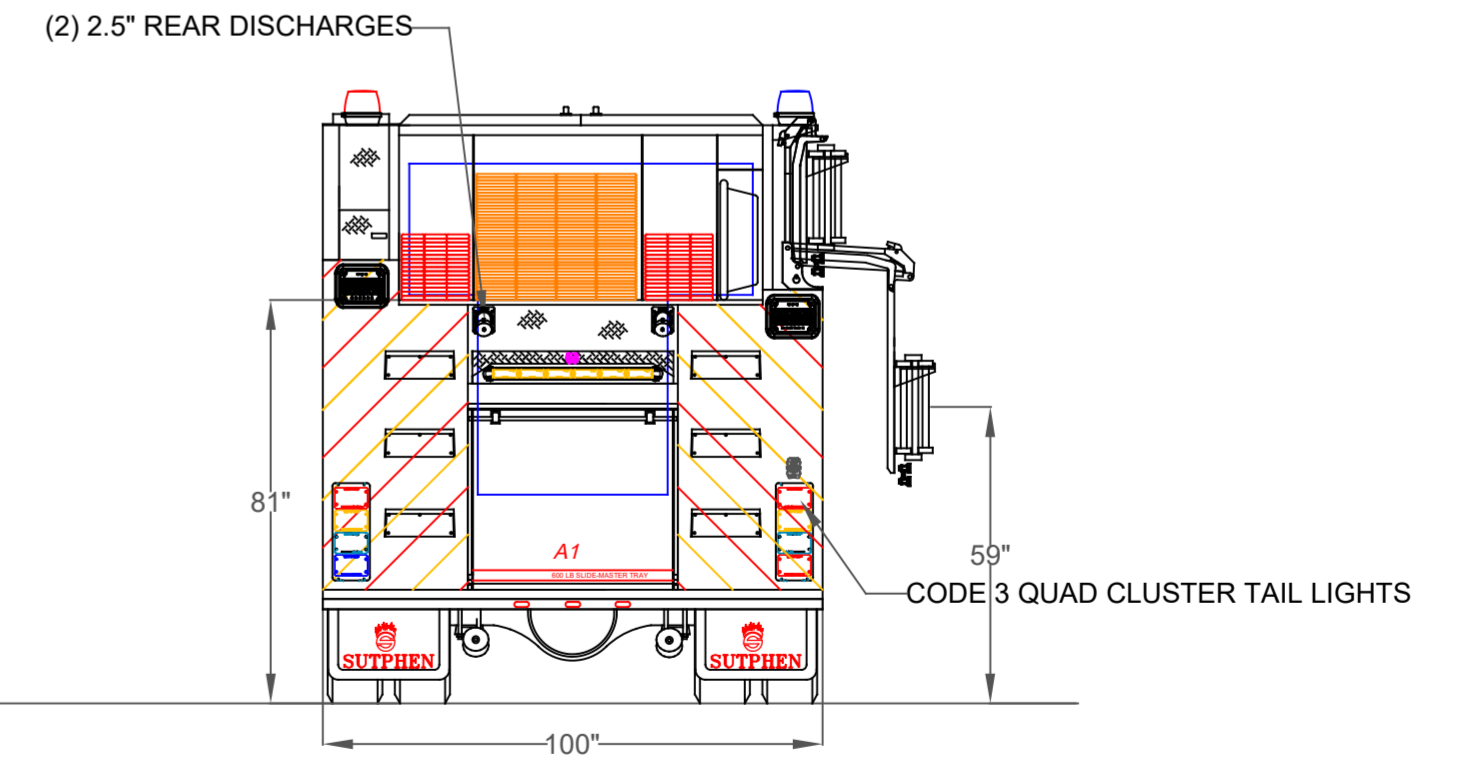
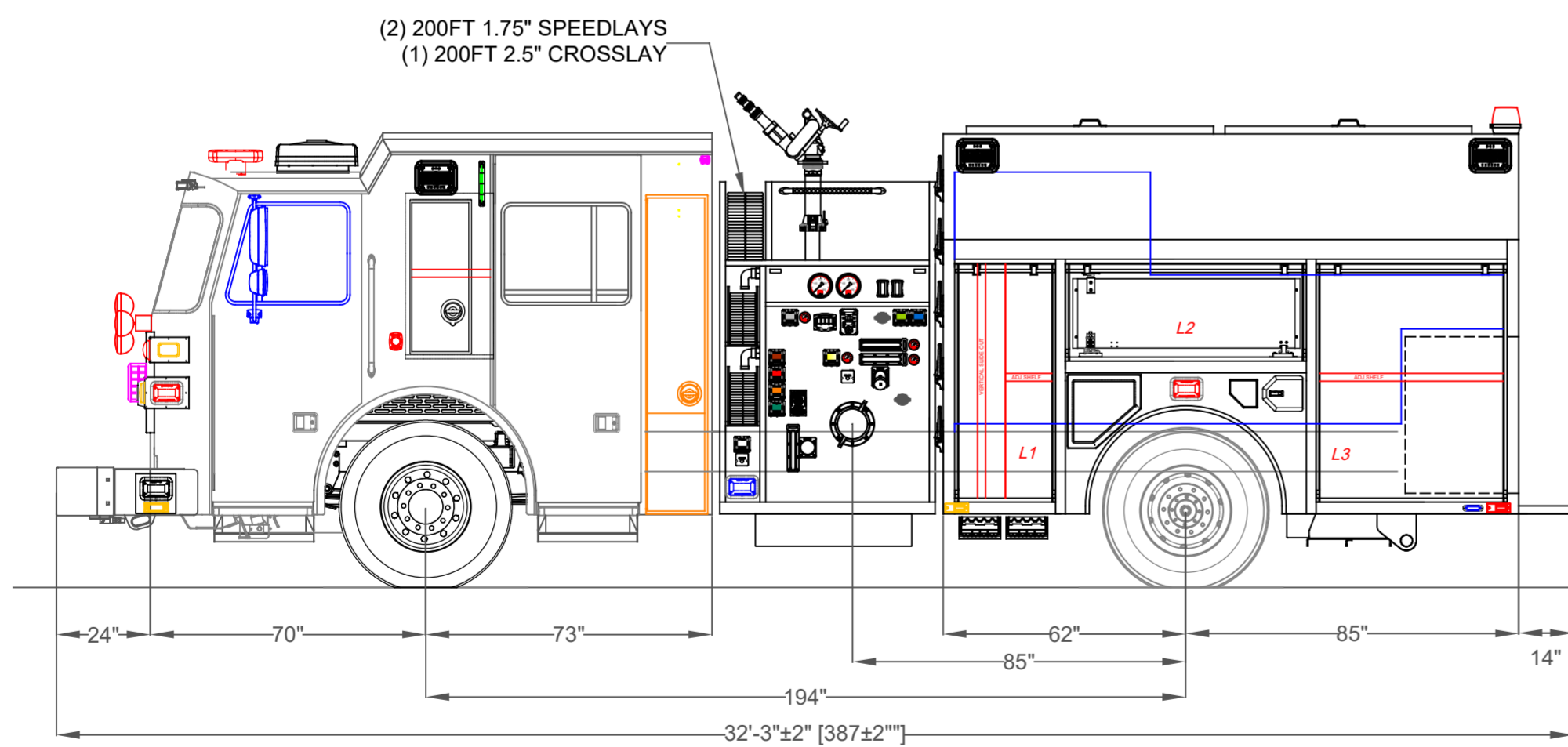


Hose Load
 1:300ft of 2.5"
 2:1000ft of 5"
 3:300ft of 2.5"

Left Side Compartmentation				
Compt	Doors	Opening Dimensions	Inside Dimensions	Volume
WxHxD				
L1	Roll Up	23x56	30x66x27.25	31.2 CU FT
L2	Roll Up	57x20	64x30x27.25	30.3 CU FT
L3	Roll Up	46x56	53x66x27.25	55.2 CU FT
Right Side Compartmentation				
Compt	Doors	Opening Dimensions	Inside Dimensions	Volume
R1	Roll Up	23x50	30x60x27.25	28.4 CU FT
R2	Roll Up	57x14	64x24x27.25	24.2 CU FT
R3	Roll Up	46x50	53x60x27.25	50.1 CU FT
Rear Compartmentation				
Compt	Doors	Opening Dimensions	Inside Dimensions	Volume
A1	Roll Up	37x30	42x40x26.25	25.5 CU FT
Total Volume				245.0 CU FT

Waterous CSU-1500 GPM
Water Tank Capacity 1000 gal
Foam Tank Capacity 20 gal



DIMENSIONS SHOWN ON THIS DRAWING ARE APPROXIMATE AND ARE SUBJECT TO MINOR DEVIATIONS DURING CONSTRUCTION. IN THE EVENT OF A DISCREPANCY BETWEEN THE SUTPHEN SPECIFICATIONS AND DRAWING, THE SUTPHEN SPECIFICATIONS SHALL PREVAIL. DRAWING IS FOR REFERENCE ONLY. SOME ITEMS PROPOSED MAY NOT BE SHOWN OR NOTED.	CUSTOMER APPROVAL NAME: _____ TITLE: _____ DATE: _____	REV. _____ DESCRIPTION _____ BY _____ DATE _____	DRAWN BY: J. GORDON DATE: 01/29/2020 MFG. FACILITY: SUTPHEN EAST LAKE ARIEL, PA	SUTPHEN EAST 55 INNOVATION DRIVE LAKE ARIEL, PA 1-844-776-2889 ROCHESTER FIRE PROTECTION DISTRICT ROCHESTER, IL CUSTOM ALUMINUM PUMPER DWG. NO.: HS 6765
	THIS PRINT IS PROVIDED ON A RESTRICTED BASIS AND IS NOT TO BE USED IN ANY WAY DETRIMENTAL TO THE INTEREST OF SUTPHEN CORPORATION.			