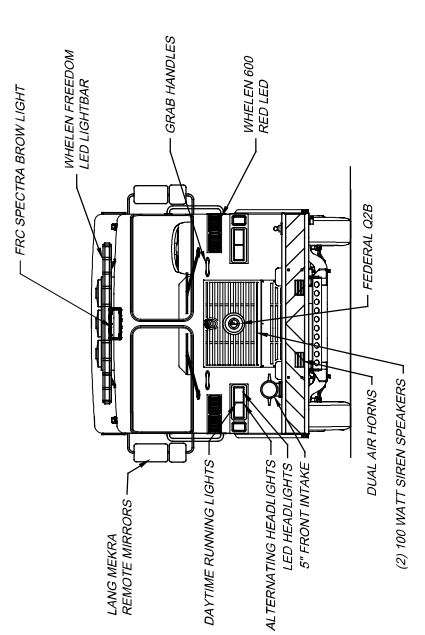


LEFT SIDE COMPARTMENTATION			
COMP	DOORS	INSIDE DIMENSIONS	VOLUME
L1	ROLL-UP	40"W X 68"H X 26"D	37.4 CU. FT.
L2	ROLL-UP	46"W X 68"H X 26"D	38.8 CU. FT.
L3	ROLL-UP	51" DOW X 66"W X 26"D	47.4 CU. FT.
L4 & L5	LIFT-UP	62"W X 13.5"H X 19"D	24 CU. FT.

RIGHT SIDE COMPARTMENTATION			
COMP	DOORS	INSIDE DIMENSIONS	VOLUME
R1	ROLL-UP	40"W X 68"H X 26"D	37.4 CU. FT.
R2	ROLL-UP	59"W X 31" DOW X 26"D	28.4 CU. FT.
R3	ROLL-UP	51" DOW X 66"W X 26"D	47.4 CU. FT.
L4 & L5	LIFT-UP	62"W X 13.5"H X 19"D	24 CU. FT.

REAR STEP COMPARTMENT			
COMP	DOORS	INSIDE DIMENSIONS	VOLUME
A1	ROLL-UP	39" L/2"W X 29"H X 31"D	19.8 CU. FT.

BASE STORAGE: 246 CU. FT.  
 TOTAL STORAGE: 294 CU. FT.



DIMENSIONS SHOWN ON THIS DRAWING ARE APPROXIMATE AND ARE SUBJECT TO MINOR DEVIATIONS DURING CONSTRUCTION.

CUSTOMER APPROVAL  
 NAME: \_\_\_\_\_  
 TITLE: \_\_\_\_\_  
 DATE: \_\_\_\_\_

DRAWING IS FOR REFERENCE ONLY. SOME ITEMS PROPOSED MAY NOT BE SHOWN OR NOTED.

REV.	DESCRIPTION	BY	DATE
A	UPDATED TO MATCH REV A SHOP ORDER	A.A.	6/24/2020

DRAWN BY: A.ALEXANDER  
 DATE: 5/19/2020  
 WFC FACILITY: URBANA PUMPER DIVISION  
 PROGRAM T. CUSTOM PUMPER  
 INDIAN RIVER COUNTY FIRE RESCUE  
 VERO BEACH, FL  
 WFC NO.: AS-8795

THIS PRINT IS PROVIDED ON A RESTRICTED BASIS AND IS NOT TO BE USED IN ANY WAY DETRIMENTAL TO THE INTEREST OF SUTPHEN CORPORATION.

