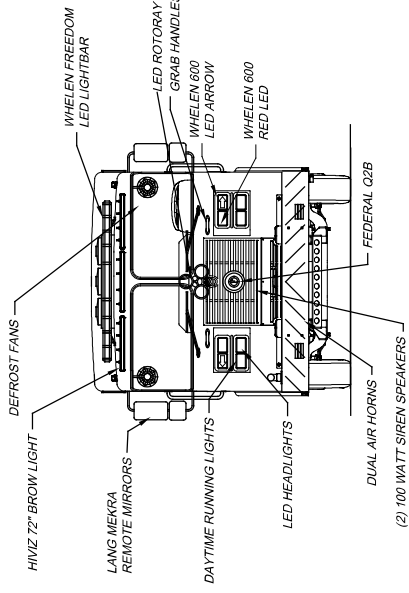


LEFT SIDE COMPARTMENTATION			
COMP	DOORS	INSIDE DIMENSIONS	VOLUME
L1	ROLL-UP	40"W X 87"H X 26"D	37.4 CU. FT.
L2	ROLL-UP	48"W X 87"H X 26"D	44.8 CU. FT.
L3	ROLL-UP	51 1/2"W X 165"H X 26"D	47.4 CU. FT.

RIGHT SIDE COMPARTMENTATION			
COMP	DOORS	INSIDE DIMENSIONS	VOLUME
R1	ROLL-UP	40"W X 87"H X 26"D	37.4 CU. FT.
R2	ROLL-UP	50"W X 31 1/2"H X 26"D	28.4 CU. FT.
R3	ROLL-UP	51 1/2"W X 165"H X 26"D	47.4 CU. FT.

REAR STEP COMPARTMENT			
COMP	DOORS	INSIDE DIMENSIONS	VOLUME
A1	ROLL-UP	39 1/2"W X 27"H X 31"D	19.8 CU. FT.

BASE STORAGE: 246 CU. FT.



CUSTOMER APPROVAL

NAME: _____

TITLE: _____

DATE: _____

SUTPHEN

CITY OF MOULTRIE - FIRE DEPARTMENT

MOULTRIE, GA

PROGRAM: CUSTOM PUMPER

REV. NO.: HS-6737

REV.	DESCRIPTION	DATE	BY
B	UPDATED AIR HORNS TO OUTBOARD	7/13/2020	A.A.
A	UPDATED HOSEREEL REDUCTION, MOVED PARTS TO DEALER SUPPLIED	06/24/2020	A.A.

THIS PRINT IS PROVIDED ON A RESTRICTED BASIS AND IS NOT TO BE USED IN ANY WAY DETRIMENTAL TO THE INTEREST OF SUTPHEN CORPORATION.