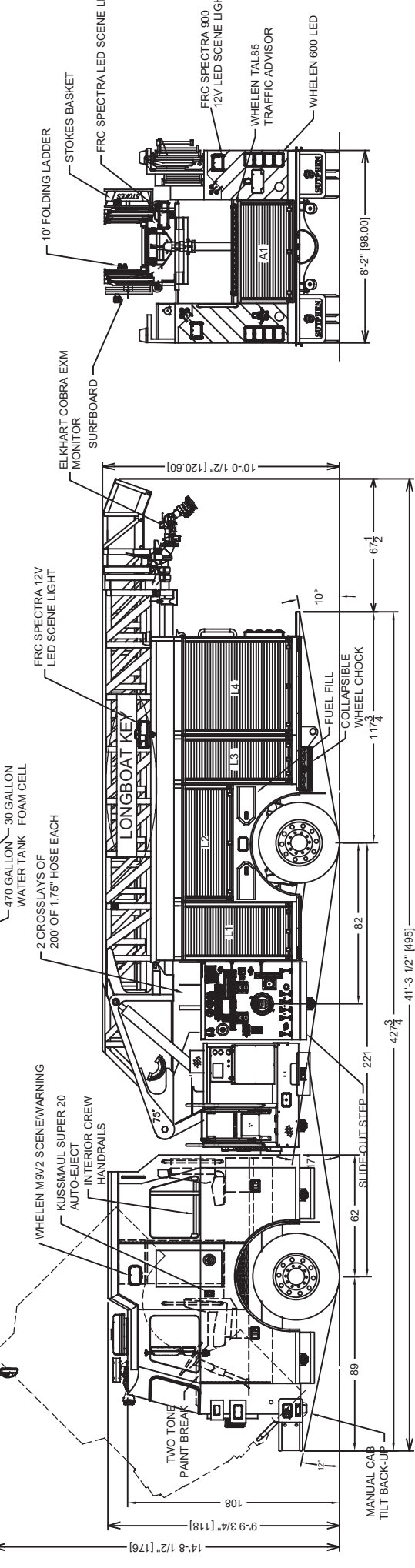
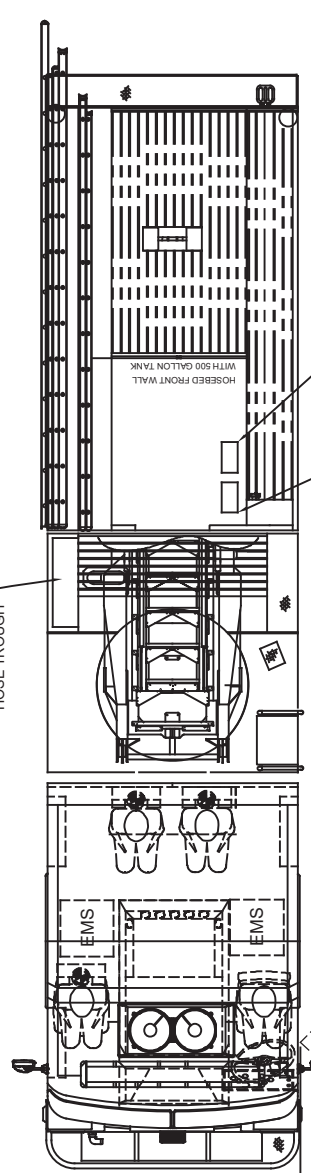
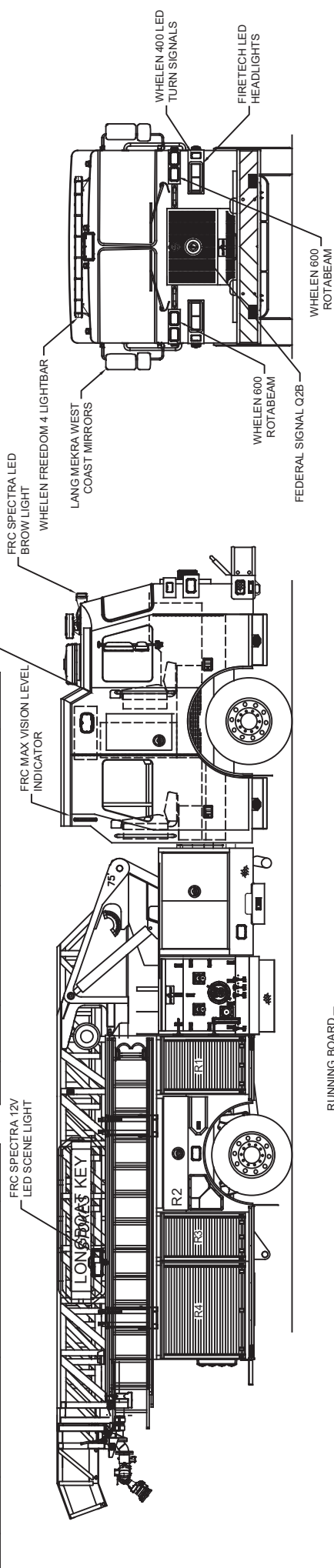


COMP	DOORS	OPERING DIMENSIONS	VOLUME
L1	ROLL-UP	20.75'W x 49.50'H	18.62 CU. FT.
L2	ROLL-UP	23.25'W x 49.50'H	17.41 CU. FT.
L3	ROLL-UP	55.25'W x 19.50'H	60.00'W x 14.00'H x 22.75'D
L4	ROLL-UP	18.25'W x 49.50'H	14.98 CU. FT.
L5	ROLL-UP	24.75'W x 59.00'H x 17.75'D	28.92 CU. FT.
L6	ROLL-UP	43.25'W x 49.50'H	43.92 CU. FT.
A1	ROLL-UP	44.50'W x 20.75'H x 41.75'D	33.00'W x 20.75'H x 41.75'D
			TOTAL VOLUME
			182.75 CU. FT.

COMP	DOORS	OPERING DIMENSIONS	VOLUME
R1	ROLL-UP	23.25'W x 35.00'H	17.62 CU. FT.
R2	HINGED	50.00'W x 8.25'H	11.05 CU. FT.
R3	ROLL-UP	18.25'W x 35.00'H	13.47 CU. FT.
R4	ROLL-UP	43.25'W x 35.00'H	27.99 CU. FT.
			TOTAL VOLUME
			182.75 CU. FT.



CUSTOMER APPROVAL

NAME: _____ TITLE: _____ DATE: _____

DIMENSIONS SHOWN ON THIS DRAWING ARE APPROXIMATE AND ARE SUBJECT TO MINOR DEVIATIONS DURING CONSTRUCTION.

IN THE EVENT OF A DISCREPANCY BETWEEN THE SUTPHEN SPECIFICATIONS AND DRAWING, THE SUTPHEN SPECIFICATIONS SHALL PREVAIL.

DRAWING IS FOR REFERENCE ONLY. SOME ITEMS PROPOSED MAY NOT BE SHOWN OR NOTED.

REVISION FOLLOWING PRE-CONSTRUCTION MEETING

REV.	DESCRIPTION	DATE	BY
A.0	REVISION FOLLOWING PRE-CONSTRUCTION MEETING	1/17/2020	CAM

THIS PRINT IS PROVIDED ON A RESTRICTED BASIS AND IS NOT TO BE USED IN ANY WAY DETRIMENTAL TO THE INTEREST OF SUTPHEN CORPORATION.

DRAWN BY: APF
DATE: 09/06/2019
MFG. FACILITY: HILLIARD

SUTPHEN
LONGBOAT KEY FIRE RESCUE
LONGBOAT KEY, FL
SUTPHEN
HS5730