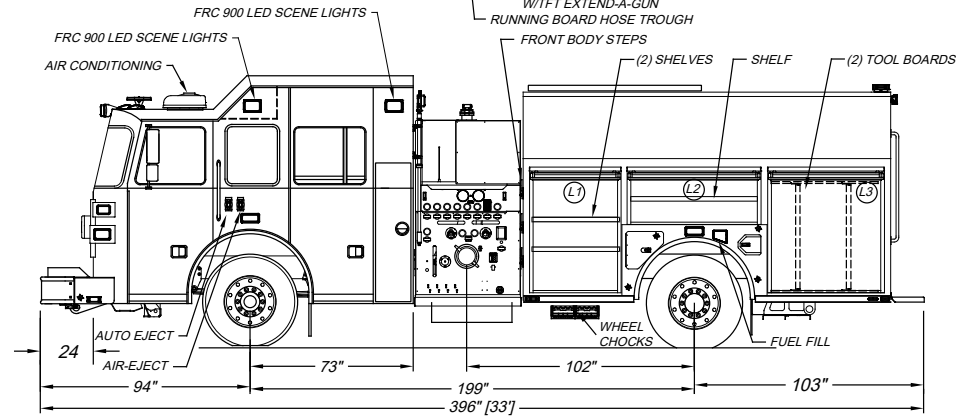
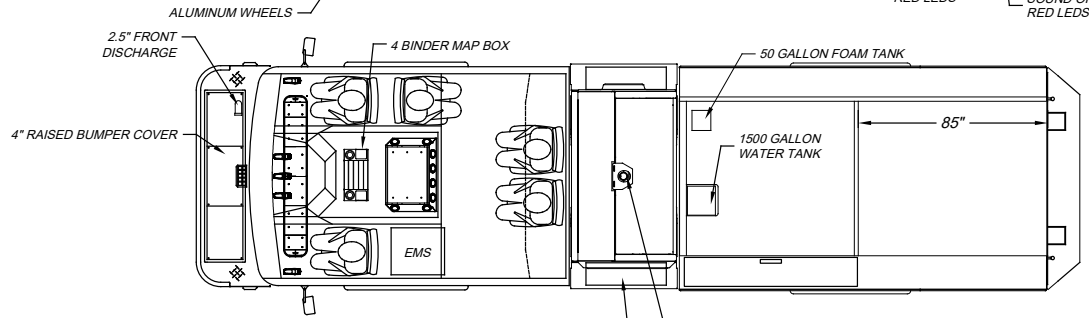
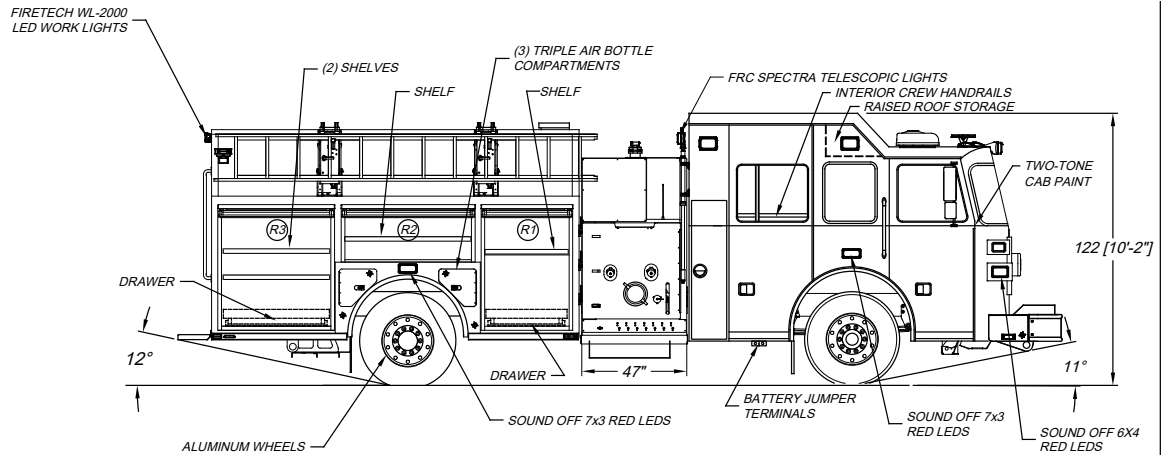
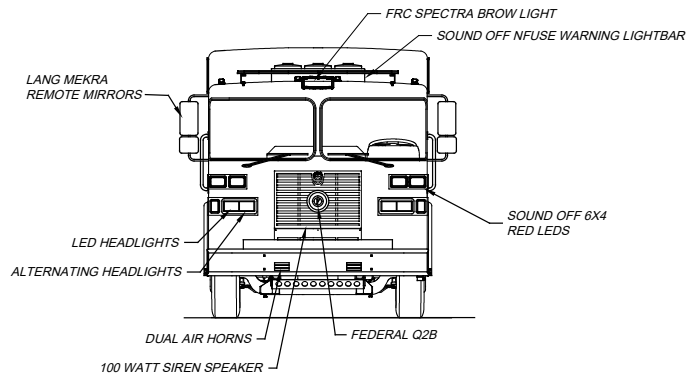


LEFT SIDE COMPARTMENTATION			
COMPT	DOORS	DIMENSIONS	VOLUME
L1	ROLL-UP	40"W X 51 1/2"H X 26"D	28 CU. FT.
L2	ROLL-UP	59"W X 21 1/2"H X 14 1/2"D	11 CU. FT.
L3	ROLL-UP	51 1/2"W X 51 1/2"H X 26"D	40 CU. FT.
RIGHT SIDE COMPARTMENTATION			
COMPT	DOORS	DIMENSIONS	VOLUME
R1	ROLL-UP	40"W X 51 1/2"H X 26"D	28 CU. FT.
R2	ROLL-UP	59"W X 21 1/2"H X 14 1/2"D	11 CU. FT.
R3	ROLL-UP	51 1/2"W X 51 1/2"H X 26"D	40 CU. FT.
REAR STEP COMPARTMENT			
COMPT	DOORS	DIMENSIONS	VOLUME
A1	ROLL-UP	39 1/2"W X 39"H X 31"D	27 CU. FT.
REAR CREW SEAT COMPARTMENT			
COMPT	DOORS	DIMENSIONS	VOLUME
C1	HINGED	47"W X 15"H X 18 1/2"D	8 CU. FT.

TOTAL STORAGE: 193 CU. FT.



DIMENSIONS SHOWN ON THIS DRAWING ARE APPROXIMATE AND ARE SUBJECT TO MINOR DEVIATIONS DURING CONSTRUCTION.

IN THE EVENT OF A DISCREPANCY BETWEEN THE SUTPHEN SPECIFICATIONS AND DRAWING, THE SUTPHEN SPECIFICATIONS SHALL PREVAIL.

DRAWING IS FOR REFERENCE ONLY. SOME ITEMS PROPOSED MAY NOT BE SHOWN OR NOTED.

CUSTOMER APPROVAL

NAME: _____

TITLE: _____

DATE: _____

REV.	DESCRIPTION	BY	DATE
REV.A	UPDATED LIGHT PACKAGE AND VARIOUS OTHER ITEMS FROM REV A SHOP ORDER	A.A.	6/16/2020
REV.B	UPDATED LIGHT PACKAGE TO MATCH SHOP ORDER REV C	A.A.	8/11/2020
REV.C	UPDATED TAIL LIGHTS TO INDIVIDUAL	R.C.	10/23/2020
REV.			

DRAWN BY:	J. HAULLMAN
DATE:	4/14/2020
MFG. FACILITY:	URBANA

SUTPHEN

ISLAMORADA FIRE RESCUE
ISLAMORADA, FL.

PROGRAM 1 CUSTOM PUMPER, G7 BODY

PWS NO. HS-6724