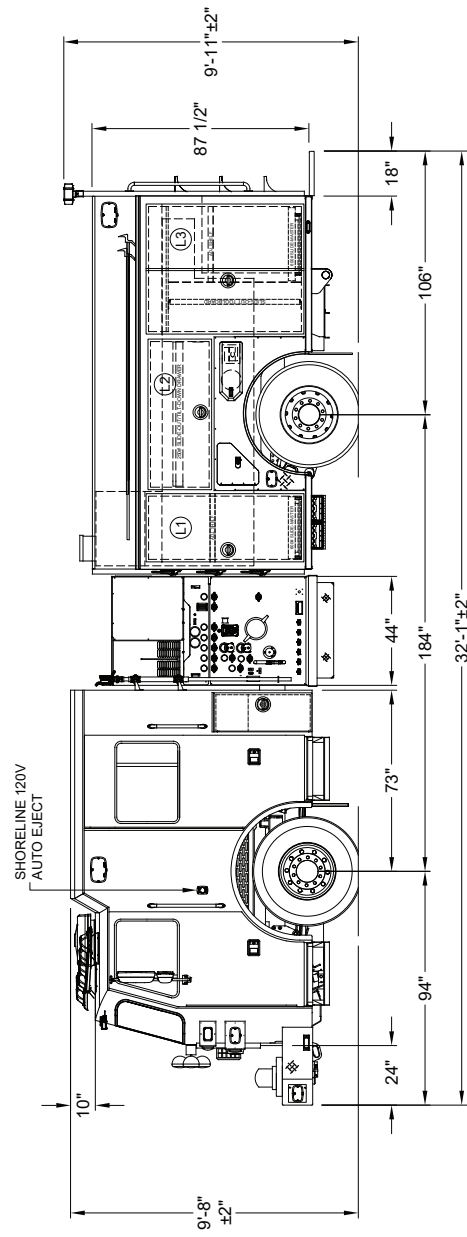
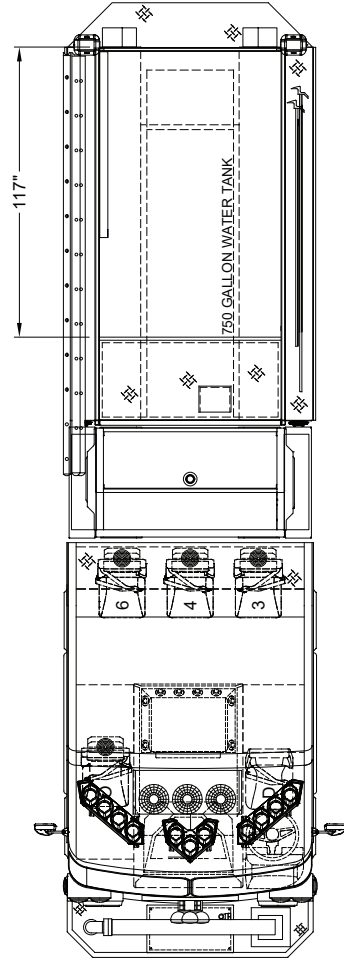
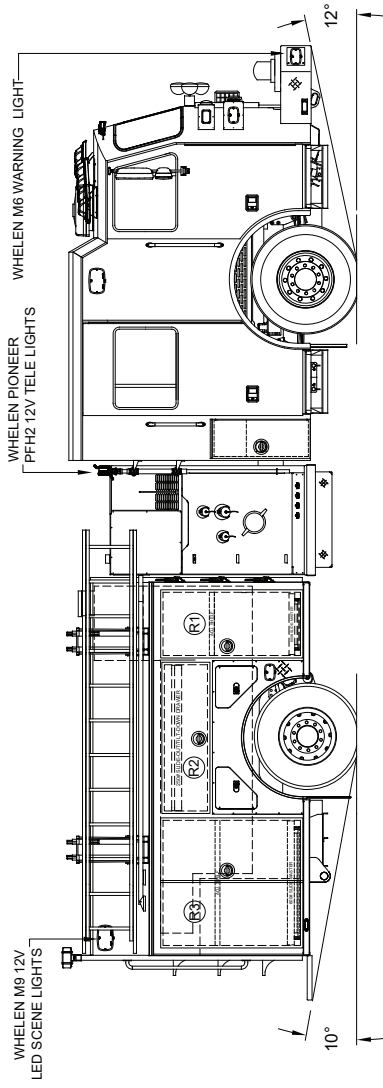
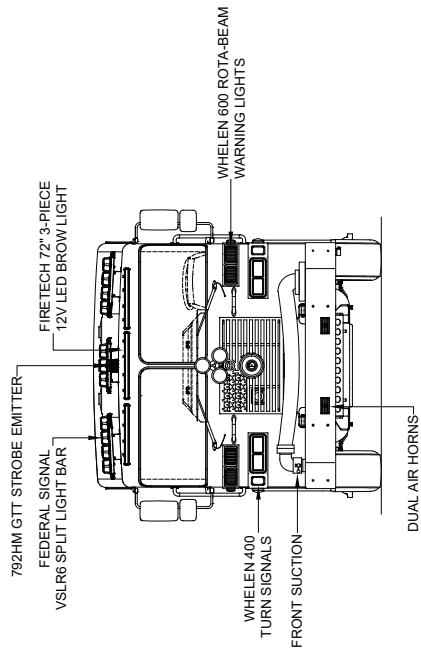


COMPT	DOORS	OPENING DIMENSIONS	INSIDE DIMENSIONS	VOLUME
L1	SINGLE	23.5" X 58.4"	31.1" X 66" X 27.5"	29.4 CU. FT.
L2	LIFT-UP	55" X 23.9"	61.6" X 28.8" X 27.5"	22.0 CU. FT.
L3	DOUBLE	46.5" X 58.4"	53.4" X 66" X 27.5"	49.6 CU. FT.

COMPT	DOORS	OPENING DIMENSIONS	INSIDE DIMENSIONS	VOLUME
R1	SINGLE	23.5" X 58.4"	31.1" X 66" X 27.5"	29.3 CU. FT.
R2	LIFT-UP	55" X 23.9"	61.6" X 28.8" X 27.5"	22.0 CU. FT.
R3	DOUBLE	46.5" X 58.4"	53.4" X 66" X 27.5"	47.7 CU. FT.

COMPT	DOORS	OPENING DIMENSIONS	INSIDE DIMENSIONS	VOLUME
A1	DOUBLE	37" X 32.1"	40" X 46" X 31"	28.7 CU. FT.
				TOTAL: 241.1 CU. FT.



CUSTOMER APPROVAL

DIMENSIONS SHOWN ON THIS DRAWING ARE APPROXIMATE AND ARE SUBJECT TO MINOR DEVIATIONS DURING CONSTRUCTION.

IN THE EVENT OF A DISCREPANCY BETWEEN THE SPECIFICATIONS AND DRAWING, THE SUTPHEN SPECIFICATIONS SHALL PREVAIL.

DRAWING IS FOR REFERENCE ONLY. SOME ITEMS PROPOSED MAY NOT BE SHOWN OR NOTED.

NAME: _____ TITLE: _____ DATE: _____

REV. DESCRIPTION

I	REV-I SHOP ORDER (ADDED THE BACKBOARD STORAGE COMPARTMENT TO THE DRAWING ON THE OFFICER'S SIDE HOSE BED)	KG	05/25/21	KG	05/25/21
H	REV-H SHOP ORDER (MOVED THE TRAFFIC ADVISOR, STEP UP & MOVED THE CAMERA DOWN)	KG	04/30/21	KG	04/30/21
G	REV-G SHOP ORDER (ADDED DIMENSIONS FOR LOW LEVEL STRAINER STORAGE)	KG	01/18/21	KG	01/18/21
F	REV-F SHOP ORDER (CORRECTED THE MOUNTING LOCATION FOR THE WHELEN SCENE LIGHTS ON THE CAB SIDES)	KG	12/14/20	KG	12/14/20

THIS PRINT IS PROVIDED ON A RESTRICTED BASIS AND IS NOT TO BE USED IN ANY WAY DETRIMENTAL TO THE INTEREST OF SUTPHEN CORPORATION.

DRAWN BY: K.GOON
DATE: 02/19/20
MFG. FACILITY: DUBLIN

SUTPHEN
CARY FIRE PROTECTION DISTRICT
CARY, IL
CUSTOM PUMPER - S4 BODY
HS-0716