

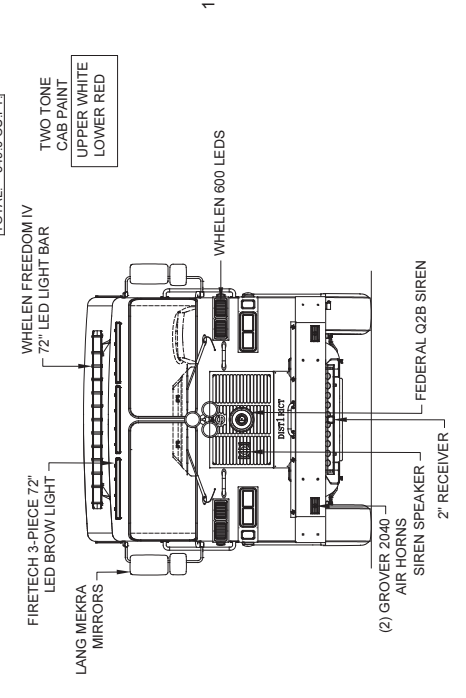
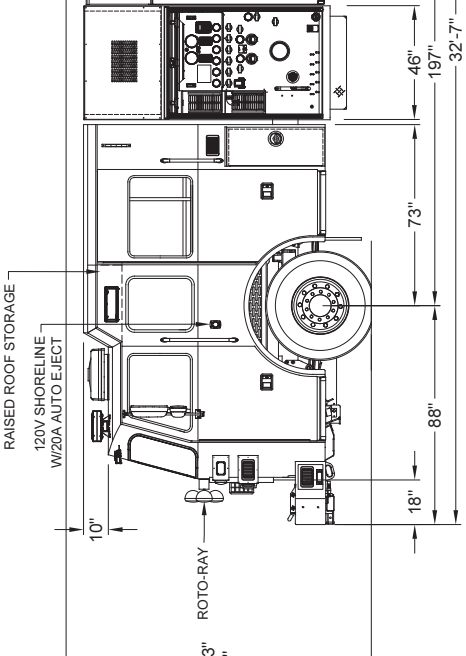
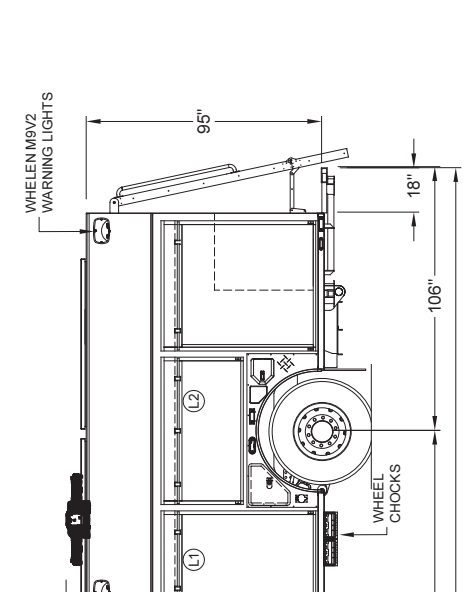
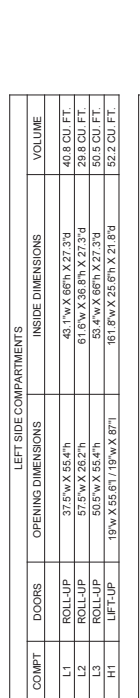
COMPT	DOORS	OPENING DIMENSIONS	INSIDE DIMENSIONS	VOLUME
L1	ROLL-UP	37.5"W X 55.4"H	43.1"W X 66.7"H X 27.3"D	49.8 CU FT.
L2	ROLL-UP	57.5"W X 26.2"H	61.6"W X 36.8"H X 27.3"D	29.8 CU FT.
L3	ROLL-UP	50.5"W X 55.4"H	58.4"W X 66.7"H X 27.3"D	50.5 CU FT.
H1	LIFT-UP	19"W X 55.61"/19"W X 67"	16.18"W X 25.61"H X 21.8"D	52.2 CU FT.

COMPT	DOORS	OPENING DIMENSIONS	INSIDE DIMENSIONS	VOLUME
R1	ROLL-UP	37.5"W X 55.4"H	43.1"W X 66.7"H X 27.3"D	33.9 CU FT.
R2	ROLL-UP	57.5"W X 26.2"H	61.6"W X 36.8"H X 16.0"D	19.0 CU FT.
R3	ROLL-UP	50.5"W X 55.4"H	58.4"W X 66.7"H X 27.3"D	41.9 CU FT.
H2	LIFT-UP	19"W X 55.61"/19"W X 67"	16.18"W X 25.61"H X 21.8"D	52.2 CU FT.

*R1 & R3 HAVE 61.6"W X 24.5"H X 16.0"D MIDDLE SECTIONS

COMPT	DOORS	OPENING DIMENSIONS	INSIDE DIMENSIONS	VOLUME
A1	ROLL-UP	23"W X 30.9"H	40.7"H X 46"W X 31"D	28.7 CU FT.

TOTAL: 349.0 CU FT.



SUTPHEN

HOLMES FIRE DEPARTMENT
MILLERSBURG, OH

DRAWN BY:	M. CLARK
DATE:	01/24/20
MFG. FACILITY:	DUBLIN
DATE:	07/09/20

MAC	11/05/20
M.C	10/28/20
M.C	09/21/20
M.C	07/09/20

DESCRIPTION	
G	"REVG RELEASE COMPONENT REPORT UPDATED"
F	"REV F RELEASE COMPONENT REPORT UPDATED"
E	"REV E RELEASE COMPONENT REPORT UPDATED"
D	"REV D MADE HOSEBED DOORS SAME SIZE / RELEASE COMPONENT REPORT UPDATED"
REV	

DIMENSIONS SHOWN ON THIS DRAWING ARE APPROXIMATE AND ARE SUBJECT TO MINOR DEVIATIONS DURING CONSTRUCTION.
 IN THE EVENT OF A DISCREPANCY BETWEEN THE SUTPHEN SPECIFICATIONS AND DRAWING THE SUTPHEN SPECIFICATIONS SHALL PREVAIL.
 DRAWING IS FOR REFERENCE ONLY. SOME ITEMS PROPOSED MAY NOT BE SHOWN OR NOTED.

CUSTOMER APPROVAL

NAME: _____
 TITLE: _____
 DATE: _____