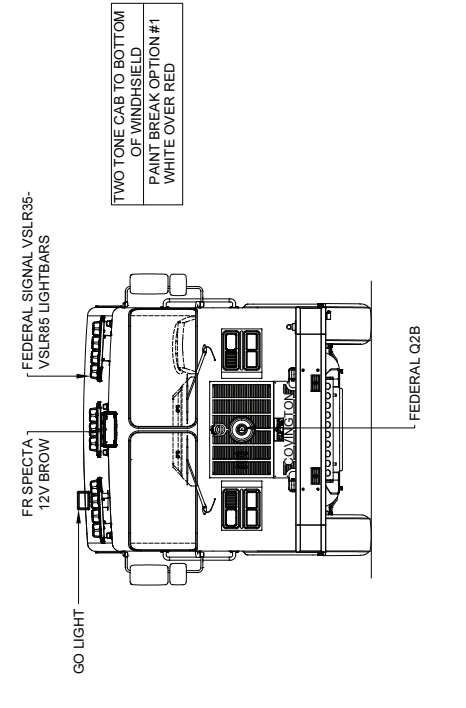


COMP	DOORS	OPENING DIMENSIONS	INSIDE DIMENSIONS	VOLUME
L1	ROLL-UP	37.5"W X 57.4"H	43.1"W X 65"H X 27.3"D	40.8 CU. FT.
L2	ROLL-UP	57.5"W X 28.7"H	61.6"W X 36.6"H X 27.3"D	29.8 CU. FT.
L3	ROLL-UP	50.5"W X 57.4"H	53.4"W X 65"H X 27.3"D	50.5 CU. FT.

COMP	DOORS	OPENING DIMENSIONS	INSIDE DIMENSIONS	VOLUME
R1	ROLL-UP	37.5"W X 57.4"H	43.1"W X 65"H X 27.3"D	31.1 CU. FT.
R2	ROLL-UP	57.5"W X 28.7"H	61.6"W X 36.6"H X 10.5"D	13.8 CU. FT.
R3	ROLL-UP	50.5"W X 57.4"H	53.4"W X 65"H X 27.3"D	38.6 CU. FT.

COMP	DOORS	OPENING DIMENSIONS	INSIDE DIMENSIONS	VOLUME
A1	ROLL-UP	37.5"W X 32.6"H	40"H X 40"W X 31"D	28.7 CU. FT.
				TOTAL: 233.3 CU. FT.



SUTPHEN
CITY OF COVINGTON
COVINGTON, GA
CUSTOM PUMPER - PA-12
DWS NO.: HS-6688

DRAWN BY:	TF FAHOM
DATE:	02/24/2020
MFG. FACILITY:	DUBLIN

REV	DESCRIPTION	DATE	BY
L	POST PRODUCTION SHOP ORDER REVISION	03/09/2021	TF
K	REFERENCE SHOP ORDER CHANGE DOCUMENT ON SHARED DRIVE	02/24/2020	TF
J	POWER AND GROUND STUDS UNDER OFFICERS SEAT MOVED TO BEHIND OFFICERS SEAT	12/14/2020	TF
I	DELETED NOTE ASSOCIATED WITH HOW DOORS IN REGARDS TO HANDLES	12/09/2020	TF

DIMENSIONS SHOWN ON THIS DRAWING ARE APPROXIMATE AND ARE SUBJECT TO MINOR DEVIATIONS DURING CONSTRUCTION.	CUSTOMER APPROVAL
IN THE EVENT OF A DISCREPANCY BETWEEN THE SUTPHEN SPECIFICATIONS AND DRAWING, THE SUTPHEN SPECIFICATIONS SHALL PREVAIL.	NAME: _____
DRAWING IS FOR REFERENCE ONLY. SOME ITEMS PROPOSED MAY NOT BE SHOWN OR NOTED.	TITLE: _____
	DATE: _____