

LEFT SIDE COMPARTMENTATION

| COMPT | DOORS   | INSIDE DIMENSIONS      | DOOR OPENING DIMENSIONS | VOLUME       |
|-------|---------|------------------------|-------------------------|--------------|
| L1    | DOUBLE  | 40"W X 66"H X 26"D     |                         | 37.4 CU. FT. |
| L2    | LIFT-UP | 59"W X 31 1/2"H X 26"D |                         | 28.4 CU. FT. |
| L3    | DOUBLE  | 51 1/2"W X 66"H X 26"D |                         | 47.4 CU. FT. |

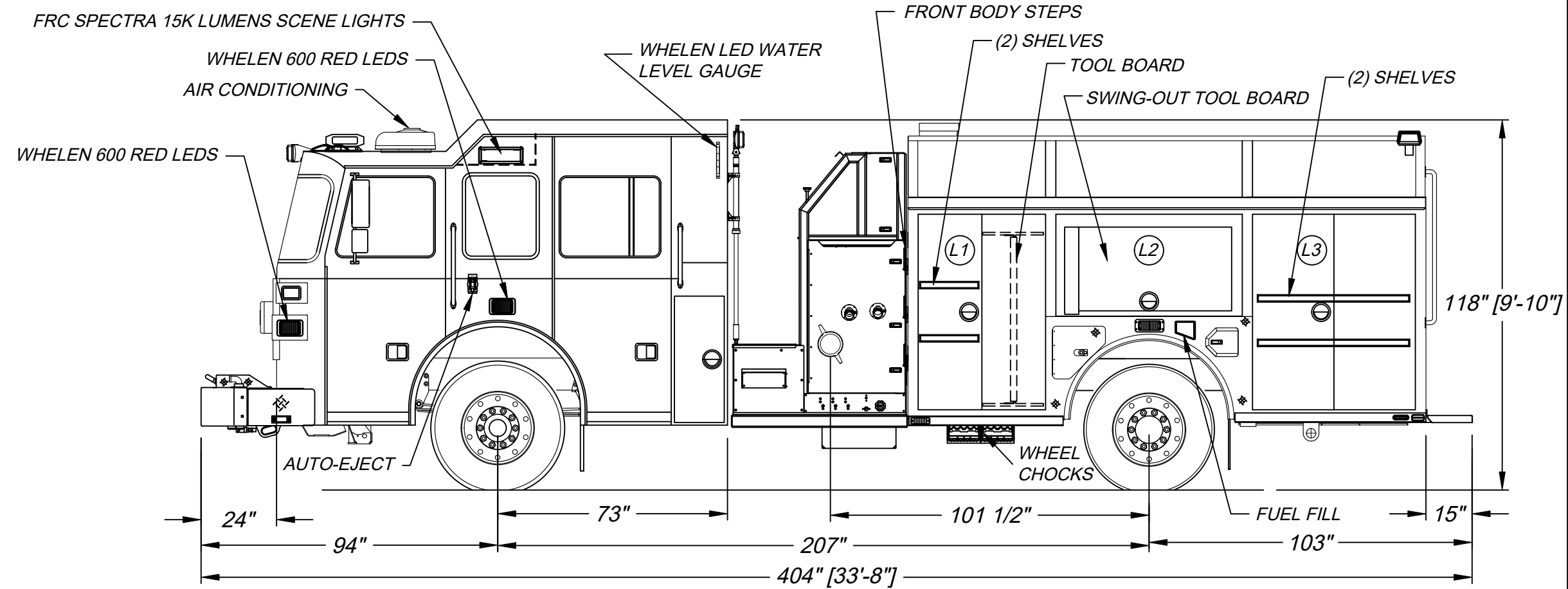
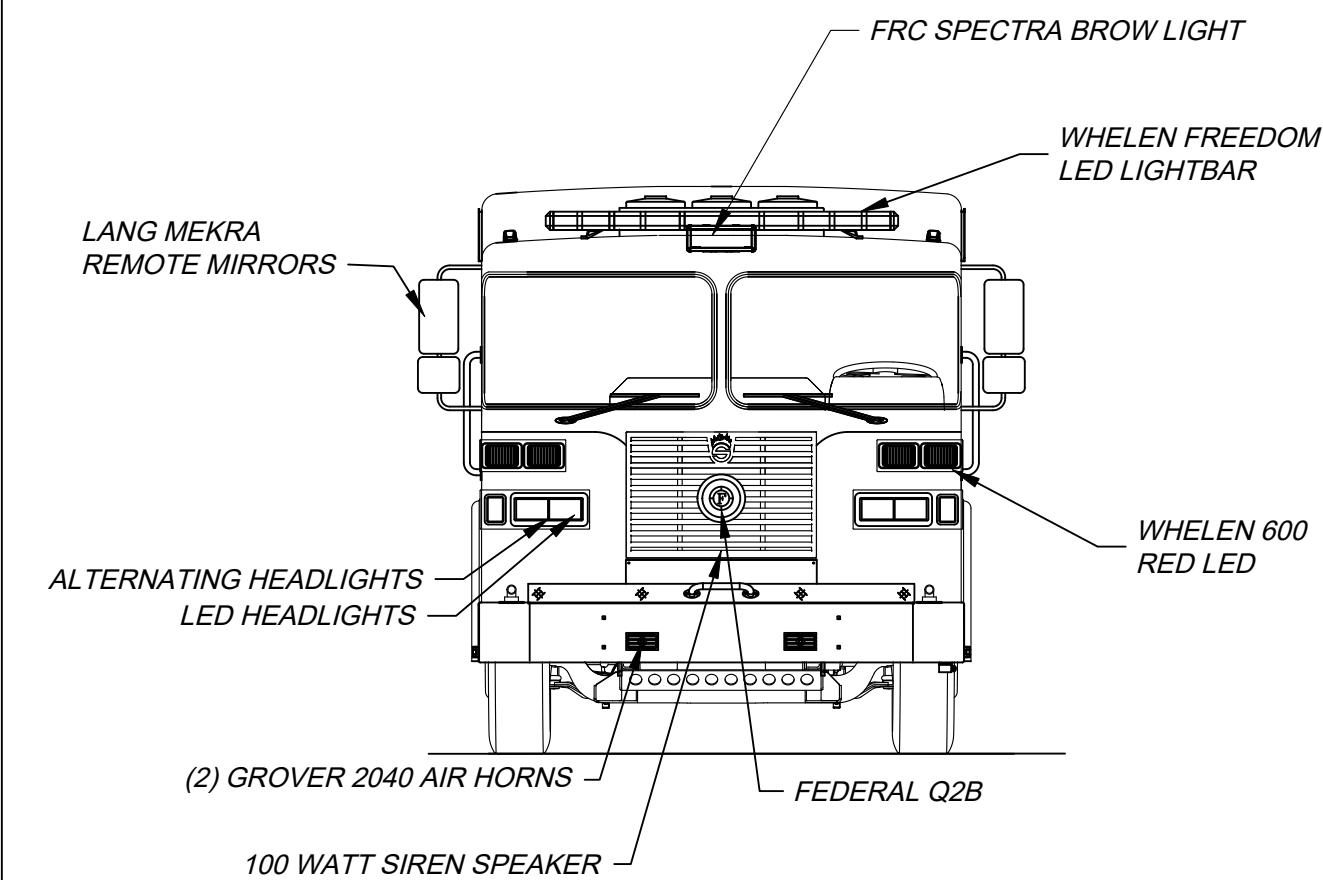
RIGHT SIDE COMPARTMENTATION

| COMPT | DOORS   | INSIDE DIMENSIONS      | DOOR OPENING DIMENSIONS | VOLUME       |
|-------|---------|------------------------|-------------------------|--------------|
| R1    | DOUBLE  | 40"W X 66"H X 26"D     |                         | 37.4 CU. FT. |
| R2    | LIFT-UP | 59"W X 31 1/2"H X 26"D |                         | 28.4 CU. FT. |
| R3    | DOUBLE  | 51 1/2"W X 66"H X 26"D |                         | 47.4 CU. FT. |

REAR STEP COMPARTMENT

| COMPT | DOORS   | INSIDE DIMENSIONS      | DOOR OPENING DIMENSIONS | VOLUME       |
|-------|---------|------------------------|-------------------------|--------------|
| A1    | ROLL-UP | 39 1/2"W X 28"H X 31"D | 36 3/4"W X 19"H         | 19.8 CU. FT. |

BASE STORAGE: 246 CU. FT.



DIMENSIONS SHOWN ON THIS DRAWING ARE APPROXIMATE AND ARE SUBJECT TO MINOR DEVIATIONS DURING CONSTRUCTION.

IN THE EVENT OF A DISCREPANCY BETWEEN THE SUTPHEN SPECIFICATIONS AND DRAWING, THE SUTPHEN SPECIFICATIONS SHALL PREVAIL.

DRAWING IS FOR REFERENCE ONLY. SOME ITEMS PROPOSED MAY NOT BE SHOWN OR NOTED.

CUSTOMER APPROVAL

NAME: \_\_\_\_\_

TITLE: \_\_\_\_\_

DATE: \_\_\_\_\_

| REV. | DESCRIPTION                     | BY  | DATE      |
|------|---------------------------------|-----|-----------|
| A    | Revised per Rev A of Shop Order | JNH | 3/13/2020 |

DRAWN BY:  
J. HAULMAN

DATE:  
1/31/2020

MFG. FACILITY:  
URBANA PUMPER DIVISION

City of Daytona Beach Shores  
Daytona Beach Shores, FL.

PROGRAM 1 CUSTOM PUMPER

DWG. NO.: HS-6683