

LEFT SIDE COMPARTMENTS				
COMPT	DOORS	OPENING DIMENSIONS	INSIDE DIMENSIONS	VOLUME
L1	ROLL-UP	37.5" w X 55.4" h	43.1" w X 66" h X 25.8" d	38.7 CU. FT. (10" h X 10.5" d UPPER)
L2	ROLL-UP	57.5" w X 26.2" h	61.6" w X 36.8" h X 25.8" d	28.4 CU. FT. (10" h X 10.5" d UPPER)
L3	ROLL-UP	50.5" w X 55.4" h	53.4" w X 66" h X 25.8" d	47.9 CU. FT. (10" h X 10.5" d UPPER)

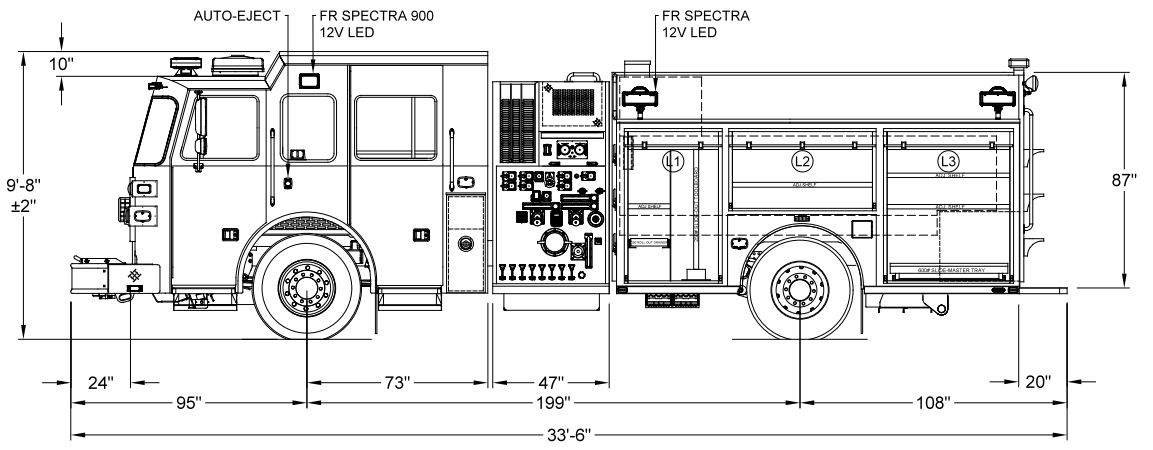
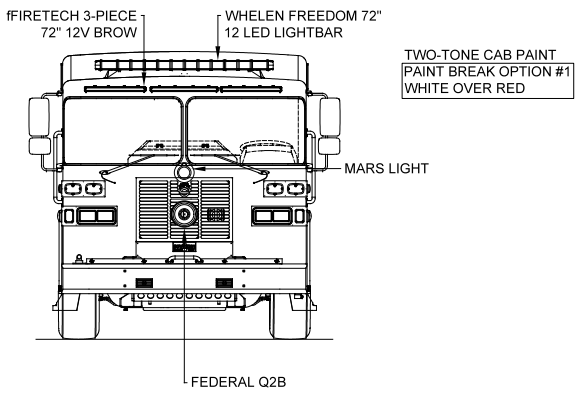
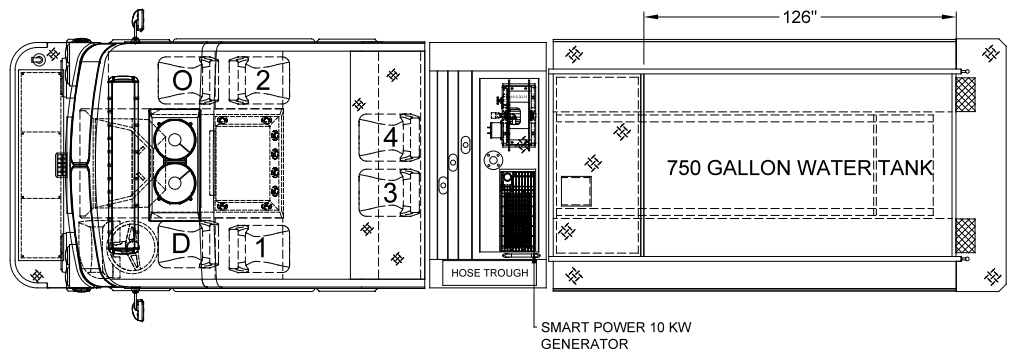
  

RIGHT SIDE COMPARTMENTS				
COMPT	DOORS	OPENING DIMENSIONS	INSIDE DIMENSIONS	VOLUME
R1	ROLL-UP	37.5" w X 55.4" h	43.1" w X 66" h X 25.8" d	38.7 CU. FT. (10" h X 10.5" d UPPER)
R2	ROLL-UP	57.5" w X 26.2" h	61.6" w X 36.8" h X 25.8" d	28.4 CU. FT. (10" h X 10.5" d UPPER)
R3	ROLL-UP	50.5" w X 55.4" h	53.4" w X 66" h X 25.8" d	47.9 CU. FT. (10" h X 10.5" d UPPER)

REAR STEP COMPARTMENT				
COMPT	DOORS	OPENING DIMENSIONS	INSIDE DIMENSIONS	VOLUME
A1	ROLL-UP	40.5" w X 18.8" h	28" w X 43" w X 31" d	21.8 CU. FT.

**TOTAL: 251.4 CU.FT.**



DIMENSIONS SHOWN ON THIS DRAWING ARE APPROXIMATE AND ARE SUBJECT TO MINOR DEVIATIONS DURING CONSTRUCTION.

IN THE EVENT OF A DISCREPANCY BETWEEN THE SUTPHEN SPECIFICATIONS AND DRAWING, THE SUTPHEN SPECIFICATIONS SHALL PREVAIL.

DRAWING IS FOR REFERENCE ONLY. SOME ITEMS PROPOSED MAY NOT BE SHOWN OR NOTED.

**CUSTOMER APPROVAL**

NAME: \_\_\_\_\_

TITLE: \_\_\_\_\_

DATE: \_\_\_\_\_

REV	DESCRIPTION	BY	DATE
J	ADDED ZIAMATIC BRACKETS TO ORDER	TF	12/22/2020
I	CAMERA UNDER DRIVER'S HEADLIGHT HOUSING HAS BEEN DELETED FROM DRAWING	TF	12/17/2020
H	ADDED LINE ITEM TO CAPTURE ADDITIONAL GRAPHICS COSTING	TF	10/18/2020
G	DELETED ADD'L FUSE BLOCK IN CAB	RM	09/23/2020

THIS PRINT IS PROVIDED ON A RESTRICTED BASIS AND IS NOT TO BE USED IN ANY WAY DETRIMENTAL TO THE INTEREST OF SUTPHEN CORPORATION.

DRAWN BY: T.FAHOUM  
DATE: 10/23/2019  
MFG. FACILITY: DUBLIN

**WINSTON SALEM FIRE DEPARTMENT**  
WINSTON-SALEM, NC

CUSTOM PUMPER - PA-19  
HS-6673