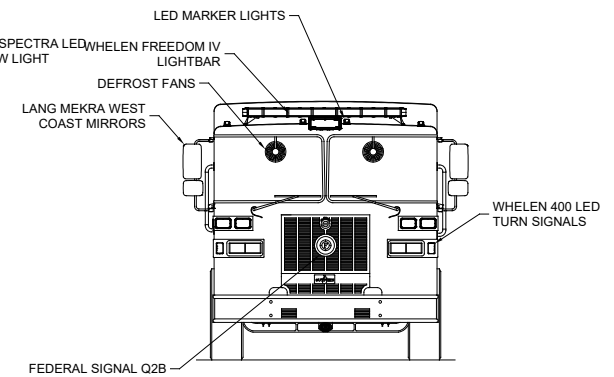
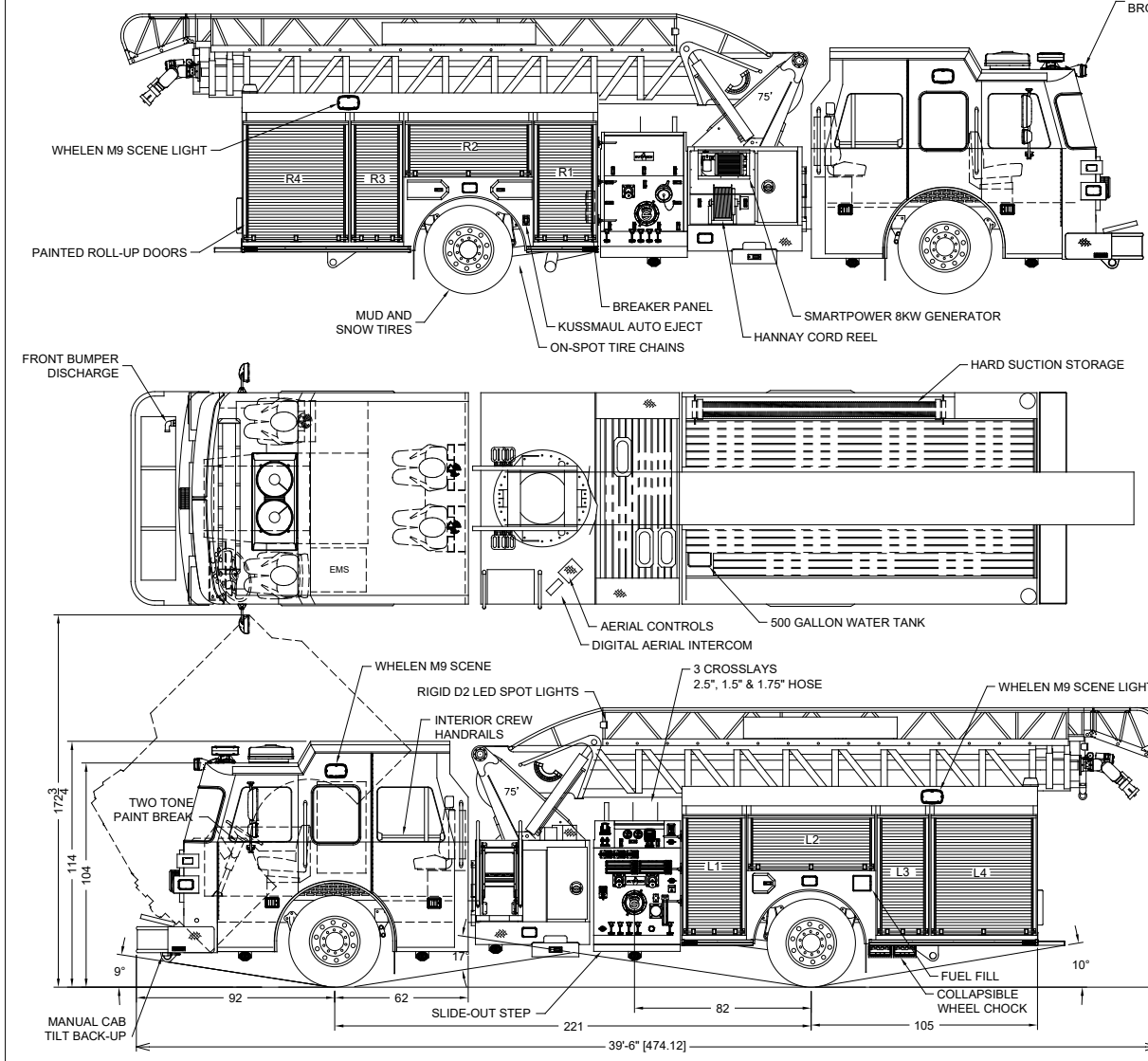
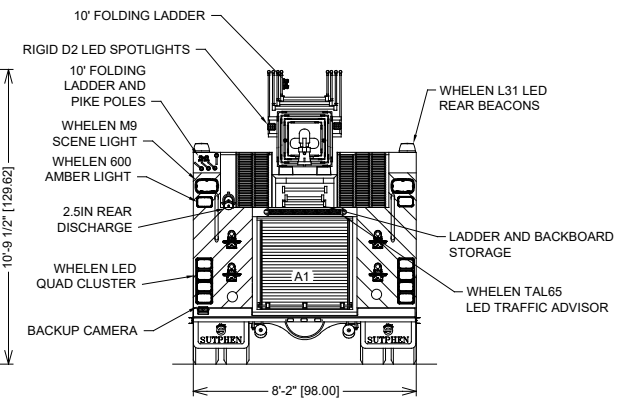


COMP	DOORS	OPENING DIMENSIONS	INSIDE DIMENSIONS	VOLUME	COMP	DOORS	OPENING DIMENSIONS	INSIDE DIMENSIONS	VOLUME
L1 UPPER	ROLL-UP	23.31"W x 19.63"H	29.81"W x 29.13"H x 10.00"D	5.02 CU. FT.	R1 UPPER	ROLL-UP	23.31"W x 19.63"H	29.81"W x 29.13"H x 10.00"D	5.02 CU. FT.
L1 LOWER	ROLL-UP	23.31"W x 30.00"H	29.81"W x 30.00"H x 23.88"D	12.35 CU. FT.	R1 LOWER	ROLL-UP	23.31"W x 30.00"H	29.81"W x 30.00"H x 23.88"D	12.35 CU. FT.
L2	ROLL-UP	53.50"W x 18.75"H	60.00"W x 28.25"H x 10.00"D	9.80 CU. FT.	R2	ROLL-UP	53.50"W x 18.75"H	60.00"W x 28.25"H x 10.00"D	9.80 CU. FT.
L3 UPPER	ROLL-UP	18.38"W x 19.63"H	24.88"W x 29.13"H x 10.00"D	4.19 CU. FT.	R3 UPPER	ROLL-UP	18.38"W x 19.63"H	24.88"W x 29.13"H x 10.00"D	4.19 CU. FT.
L3 LOWER	ROLL-UP	18.38"W x 30.00"H	24.88"W x 30.00"H x 23.88"D	10.31 CU. FT.	R3 LOWER	ROLL-UP	18.38"W x 30.00"H	24.88"W x 30.00"H x 23.88"D	10.31 CU. FT.
L4 UPPER	ROLL-UP	40.75"W x 7.00"H	47.25"W x 16.50"H x 10.00"D	4.51 CU. FT.	R4 UPPER	ROLL-UP	40.75"W x 7.00"H	47.25"W x 16.50"H x 10.00"D	4.51 CU. FT.
L4 LOWER	ROLL-UP	40.75"W x 42.50"H	47.25"W x 42.50"H x 23.88"D	27.75 CU. FT.	R4 LOWER	ROLL-UP	40.75"W x 42.50"H	47.25"W x 42.50"H x 23.88"D	27.75 CU. FT.
A1	ROLL-UP	39.50"W x 33.00"H	46.00"W x 42.50"H x 47.82"D	54.10 CU. FT.				TOTAL VOLUME	201.96 CU. FT.



800' OF 4" EACH SIDE OF HOSE BED
 600' OF 2 1/2" DRIVER'S SIDE OF HOSE BED, SINGLE STACK
 200' OF 1 1/2" MIDDLE CROSSLAY
 200' OF 1 3/4" REAR CROSSLAY
 200' OF 2 1/2" FRONT CROSSLAY
 500 GALLON TANK
 PUMPER GROUND LADDERS



DIMENSIONS SHOWN ON THIS DRAWING ARE APPROXIMATE AND ARE SUBJECT TO MINOR DEVIATIONS DURING CONSTRUCTION.	CUSTOMER APPROVAL			DRAWN BY: APF	DATE: 08/08/2019	MFG. FACILITY: HILLIARD	 COLUMBIA FIRE DEPT. COLUMBIA, MO	
	NAME:							
IN THE EVENT OF A DISCREPANCY BETWEEN THE SUTPHEN SPECIFICATIONS AND DRAWINGS, THE SUTPHEN SPECIFICATIONS SHALL PREVAIL.	TITLE:			REV.	DESCRIPTION	BY	DATE	
DRAWING IS FOR REFERENCE ONLY. SOME ITEMS PROPOSED MAY NOT BE SHOWN OR NOTED.	DATE:							
THIS PRINT IS PROVIDED ON A RESTRICTED BASIS AND IS NOT TO BE USED IN ANY WAY DETRIMENTAL TO THE INTEREST OF SUTPHEN CORPORATION.							MFG. NO.:	SA75 HS-6663