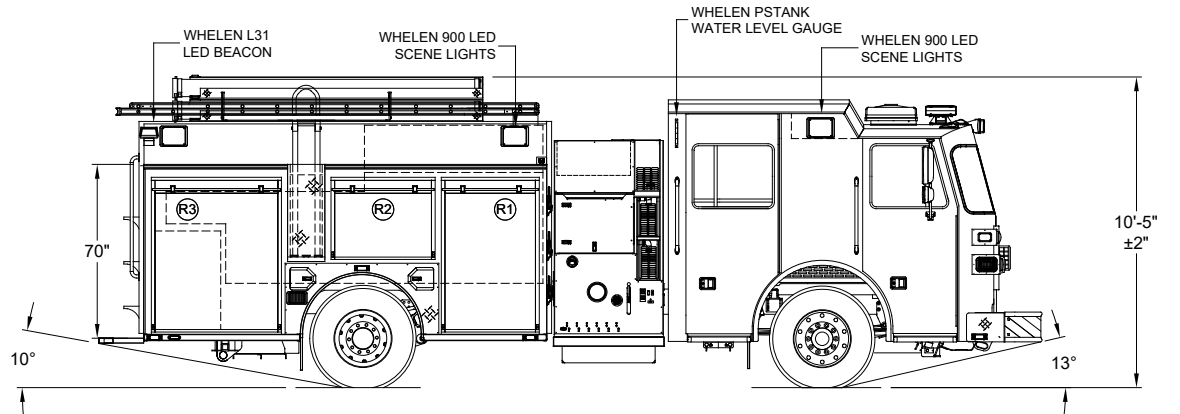


ALCO-LITE
 (1) 35' 3-SEC
 (1) 14' ROOF
 (1) 10' FOLDING

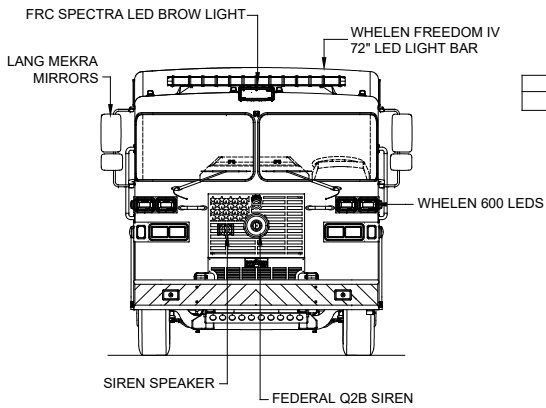
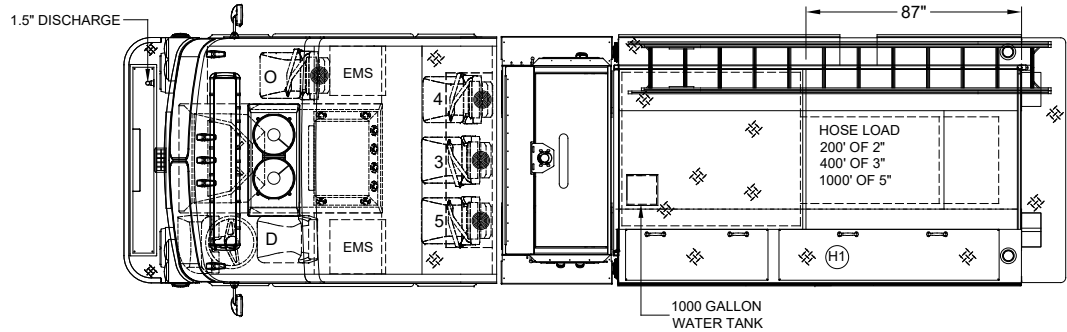


LEFT SIDE COMPARTMENTS				
COMPT	DOORS	OPENING DIMENSIONS	INSIDE DIMENSIONS	VOLUME
L1	ROLL-UP	37.5" W X 57.4" H	43.1" W X 66" H X 27.3" D	40.8 CU. FT. (10" X 10.5" D UPPER)
L2	ROLL-UP	57.5" W X 28.2" H	61.6" W X 36.8" H X 27.3" D	29.8 CU. FT. (10" X 10.5" D UPPER)
L3	ROLL-UP	50.5" W X 57.4" H	53.4" W X 66" H X 27.3" D	50.5 CU. FT. (10" X 10.5" D UPPER)
H1	LIFT-UP	19" W X 55.6" H / 19" W X 87" H	161.8" W X 25.6" H X 21.8" D	52.2 CU. FT.

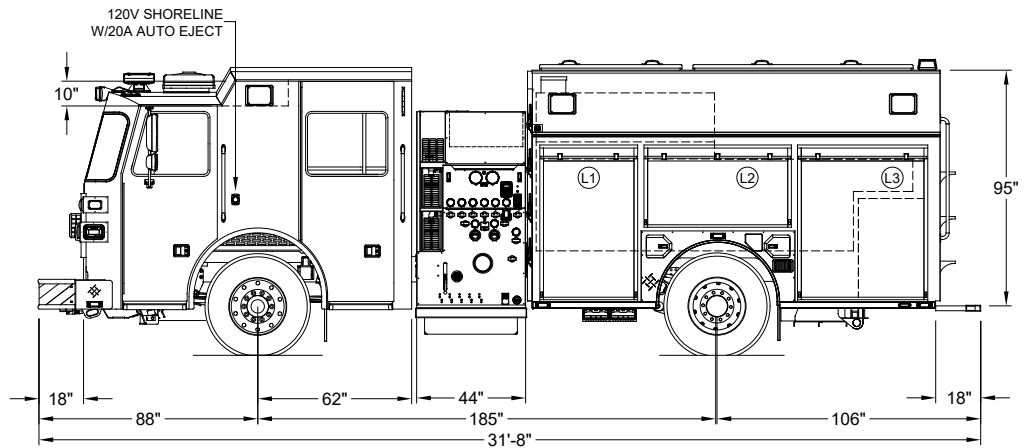
RIGHT SIDE COMPARTMENTS				
COMPT	DOORS	OPENING DIMENSIONS	INSIDE DIMENSIONS	VOLUME
R1	ROLL-UP	37.5" W X 57.4" H	43.1" W X 66" H X 27.3" D	40.8 CU. FT. (10" X 10.5" D UPPER)
R2	ROLL-UP	57.5" W X 28.2" H	44.2" W X 36.8" H X 27.3" D	21.4 CU. FT. (10" X 10.5" D UPPER)
R3	ROLL-UP	50.5" W X 57.4" H	53.4" W X 66" H X 27.3" D	50.5 CU. FT. (10" X 10.5" D UPPER)

REAR STEP COMPARTMENT				
COMPT	DOORS	OPENING DIMENSIONS	INSIDE DIMENSIONS	VOLUME
A1	ROLL-UP	37.5" W X 32.8" H	40" W X 40" W X 31" D	28.7 CU. FT.

TOTAL: 314.7 CU.FT.



SINGLE TONE CAB
 RED



DIMENSIONS SHOWN ON THIS DRAWING ARE APPROXIMATE AND ARE SUBJECT TO MINOR DEVIATIONS DURING CONSTRUCTION.

CUSTOMER APPROVAL

NAME: _____
 TITLE: _____
 DATE: _____

IN THE EVENT OF A DISCREPANCY BETWEEN THE SUTPHEN SPECIFICATIONS AND DRAWING, THE SUTPHEN SPECIFICATIONS SHALL PREVAIL.
 DRAWING IS FOR REFERENCE ONLY. SOME ITEMS PROPOSED MAY NOT BE SHOWN OR NOTED.

REV.	DESCRIPTION	BY	DATE
K	REV-K SHOP ORDER (MINOR CORRECTIONS TO SHOP ORDER NOTES)	KMG	12/01/20
J	REV-J SHOP ORDER (REVISED THE FASTENERS FOR THE HOSEBED COVER)	KMG	11/11/20
I	REV-I SHOP ORDER (REVISED THE CLAR NOTE FOR THE WHELEN 900 SCENE LIGHTS)	KMG	11/03/20
H	REV-H SHOP ORDER (CHANGES MADE FROM MID-INSPECTION SEE LIST ON THE SHARED DRIVE)	KMG	10/14/20

DRAWN BY: K.GOON
 DATE: 01/29/20
 MFG. FACILITY: DUBLIN



HILLSBORO FIRE PROTECTION DISTRICT
 HILLSBORO, MO

PROGRAM - S3/S6 BODY
 HS-6661