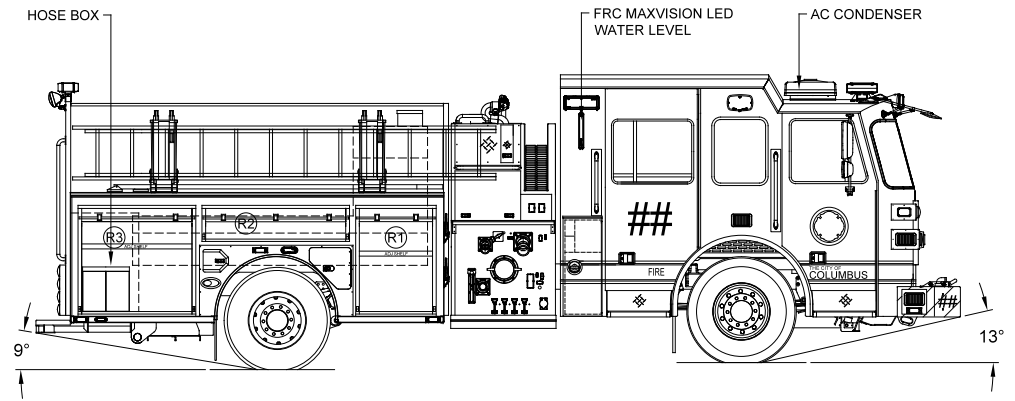


HOSEBED
 250' OF 1.75"
 250' OF 1.75"
 1000' OF 5"
 250' OF 2.5"
 250' OF 2.5"
 500' OF 3"

LADDER RACK
 (1) 24' 2-SECT
 (1) 14' ROOF
 (1) 10' FOLDING

RED 600 LED WARNING



LEFT SIDE COMPARTMENTS				
COMPT	DOORS	OPENING DIMENSIONS	INSIDE DIMENSIONS	VOLUME
L1	ROLL-UP	30.5" w X 55.4" h	36.1" w X 66" h X 27.3" d	34.2 CU. FT.
L2	ROLL-UP	57.5" w X 26.2" h	61.6" w X 36.8" h X 10.5" d	13.8 CU. FT.
L3	ROLL-UP	45.5" w X 55.4" h	48.4" w X 66" h X 27.3" d	38.2 CU. FT.
P1	LIFT UP	44" w X 56" h	23" w X 15.3" h X 30" d	6.2 CU. FT.

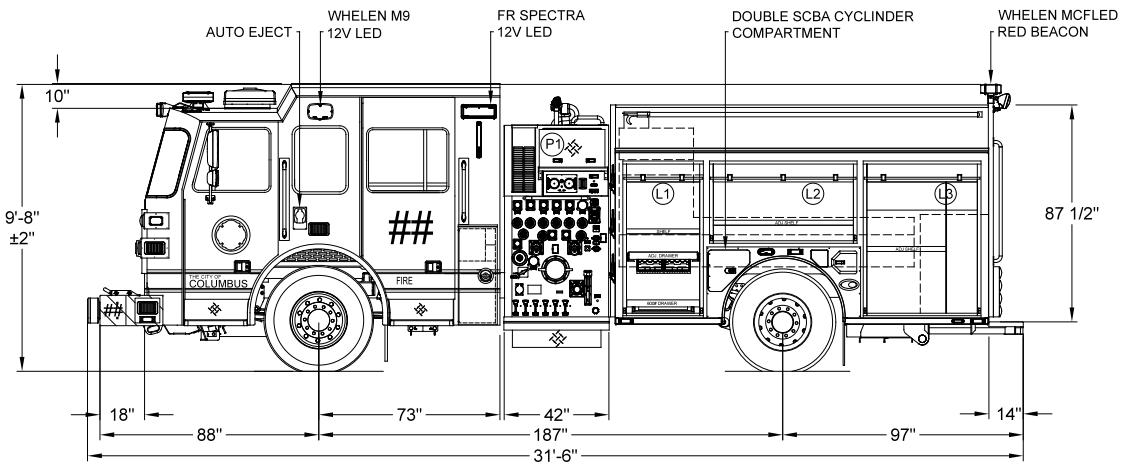
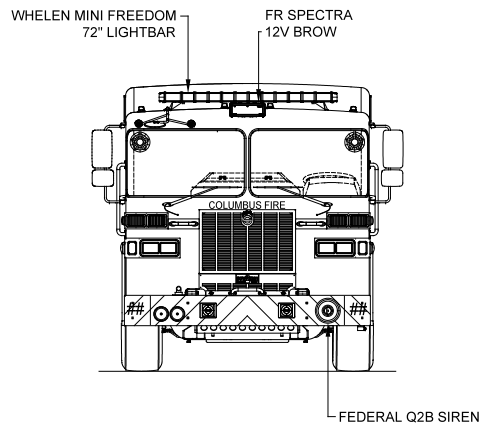
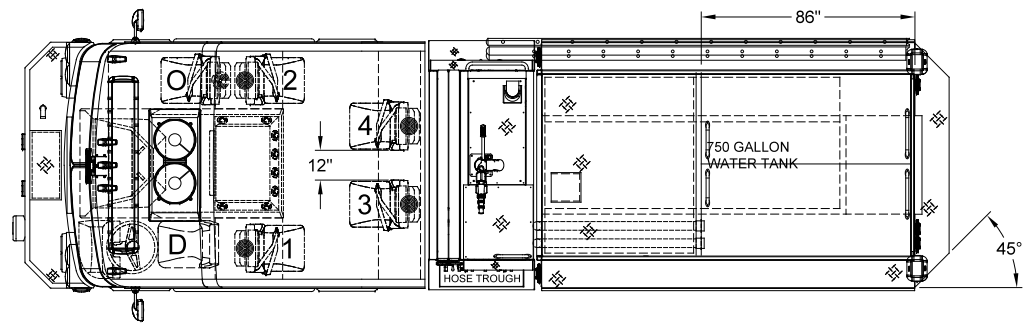
(10" h X 10.5" d UPPER)
 (26" h X 10.5" d UPPER)

RIGHT SIDE COMPARTMENTS				
COMPT	DOORS	OPENING DIMENSIONS	INSIDE DIMENSIONS	VOLUME
R1	ROLL-UP	30.5" w X 39.9" h	36.1" w X 60" h X 27.3" d	21.0 CU. FT.
R2	ROLL-UP	58 1/2" w X 12" h	61.6" w X 20.3" h X 10.5" d	8.8 CU. FT.
R3	ROLL-UP	50.5" w X 36.9" h	48.4" w X 46.7" h X 27.3" d	28.1 CU. FT.

(4" h X 10.5" d UPPER)
 (4" h X 10.5" d UPPER)

REAR STEP COMPARTMENT				
COMPT	DOORS	OPENING DIMENSIONS	INSIDE DIMENSIONS	VOLUME
A1	ROLL-UP	37.5" w X 30.8" h	40" h X 40" w X 26" d	24.1 CU. FT.

TOTAL: 174.4 CU.FT.



DIMENSIONS SHOWN ON THIS DRAWING ARE APPROXIMATE AND ARE SUBJECT TO MINOR DEVIATIONS DURING CONSTRUCTION.

IN THE EVENT OF A DISCREPANCY BETWEEN THE SUTPHEN SPECIFICATIONS AND DRAWING, THE SUTPHEN SPECIFICATIONS SHALL PREVAIL.

DRAWING IS FOR REFERENCE ONLY. SOME ITEMS PROPOSED MAY NOT BE SHOWN OR NOTED.

CUSTOMER APPROVAL

NAME: _____

TITLE: _____

DATE: _____

REV	DESCRIPTION	BY	DATE
F	**REV-F** SHOP ORDER/CLOSED LOOP ON TBD@ENGINEERIGN ITEMS	TF	06/30/2020
E	**REV-E** SHOP ORDER/EXHAUST ON HS-8657 HAS BEEN CHANGED FROM VERTICAL TO STANDARD	TF	06/26/2020
D	**REV-D** SHOP ORDER/MC HEATER AND TAPES CHANGED TO INNOVATIVE BRAND	TF	05/29/2020
C	**REV-C** SHOP ORDER/REFERENCE SHOP ORDER CHANGE DOCUMENT ON SHARED DRIVE.	TF	05/13/2020

DRAWN BY:
T FAHOURM

DATE:
10/07/2019

MFG. FACILITY:
DUBLIN

CITY OF COLUMBUS DIVISION OF FIRE
COLUMBUS, OH

CUSTOM PUMPER - PA-08 BODY

DWG. NO.: HS-8656-57