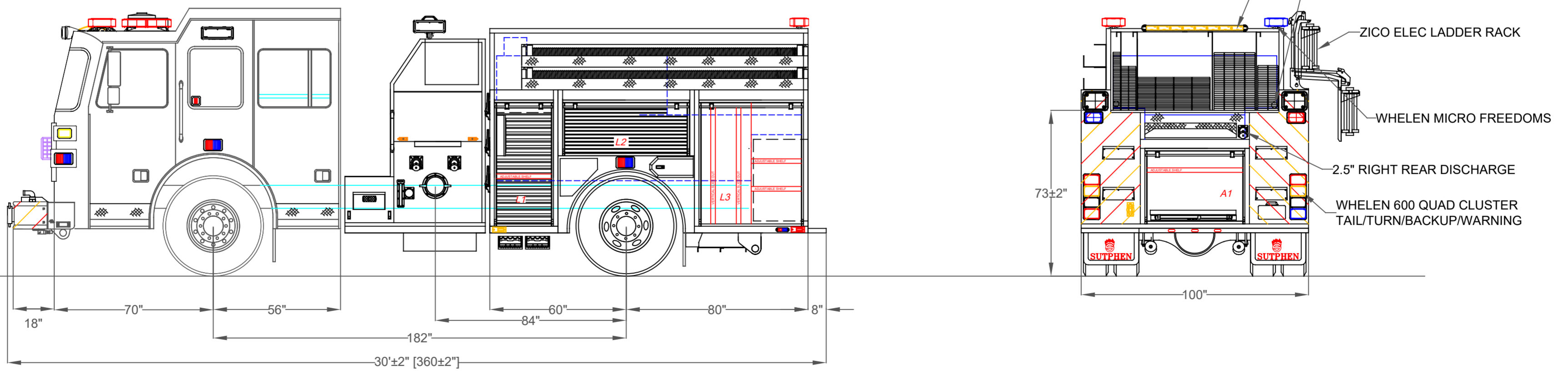


**Hose Load**  
 1:200ft of 1 3/4" Pre-connected  
 2:300ft of 1 3/4"  
 3:500ft of 5"  
 4:500ft of 2.5"  
 5:250ft of 2.5" Pre-connected

Left Side Compartmentation				
Compt	Doors	Opening Dimensions	Inside Dimensions	Volume
L1	Roll Up	23x49	WxHxD	24.8 CU FT
L2	Roll Up	53x18	60x28x24.25	23.6 CU FT
L3	Roll Up	43x49	50x59x24.25	41.4 CU FT
Right Side Compartmentation				
Compt	Doors	Opening Dimensions	Inside Dimensions	Volume
R1	Roll Up	23x49	30x59x24.25	24.8 CU FT
R2	Roll Up	53x18	60x28x24.25	23.6 CU FT
R3	Roll Up	43x49	50x59x24.25	41.4 CU FT
Rear Compartmentation				
Compt	Doors	Opening Dimensions	Inside Dimensions	Volume
A1	Roll Up	44x26	48x36x22.25	22.25 CU FT
				<b>Total Volume</b>
				201.9 CU FT

**Hale Qmax 1500 single stage**  
**Water Tank Capacity 1000 gal**  
**Foam Tank Capacity 50 gal**



DIMENSIONS SHOWN ON THIS DRAWING ARE APPROXIMATE AND ARE SUBJECT TO MINOR DEVIATIONS DURING CONSTRUCTION.  
 IN THE EVENT OF A DISCREPANCY BETWEEN THE SUTPHEN SPECIFICATIONS AND DRAWING, THE SUTPHEN SPECIFICATIONS SHALL PREVAIL.  
 DRAWING IS FOR REFERENCE ONLY. SOME ITEMS PROPOSED MAY NOT BE SHOWN OR NOTED.

**CUSTOMER APPROVAL**

NAME: \_\_\_\_\_

TITLE: \_\_\_\_\_

DATE: \_\_\_\_\_

REV.	DESCRIPTION	BY	DATE

THIS PRINT IS PROVIDED ON A RESTRICTED BASIS AND IS NOT TO BE USED IN ANY WAY DETRIMENTAL TO THE INTEREST OF SUTPHEN CORPORATION.

DRAWN BY: J. Gordon

DATE: 08/21/2018

MFG. FACILITY: SUTPHEN EAST LAKE ARIEL, PA

DWG. NO.: PS-01 Custom Stainless Pumper SALES DRAWING

**SUTPHEN EAST**  
 55 INNOVATION DRIVE  
 LAKE ARIEL, PA  
 1-844-776-2889

Rainbow Lakes Fire Department  
 Denville, NJ