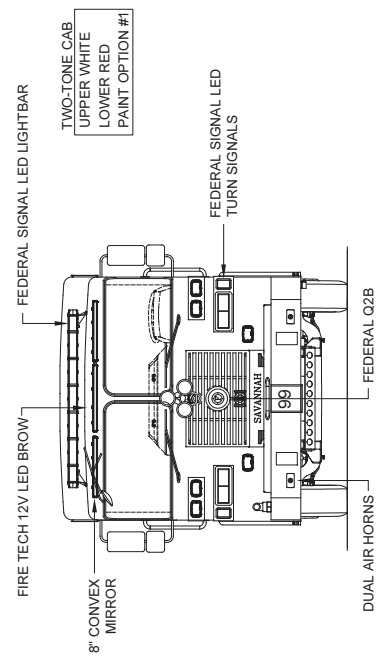


COMPT	DOORS	OPENING DIMENSIONS	INSIDE DIMENSIONS	VOLUME
L1	ROLL-UP	37.5"W X 55.4"H	43.1"W X 66"H X 25.8"D	38.7 CU. FT. (10'H X 10.5"D UPPER)
L2	ROLL-UP	57.5"W X 26.2"H	61.6"W X 36.8"H X 25.5"D	28.4 CU. FT. (10'H X 10.5"D UPPER)
L3	ROLL-UP	50.5"W X 55.4"H	58.4"W X 66"H X 25.8"D	47.9 CU. FT. (10'H X 10.5"D UPPER)

COMPT	DOORS	OPENING DIMENSIONS	INSIDE DIMENSIONS	VOLUME
R1	ROLL-UP	37.5"W X 55.4"H	43.1"W X 66"H X 25.8"D	38.7 CU. FT. (10'H X 10.5"D UPPER)
R2	ROLL-UP	57.5"W X 26.2"H	61.6"W X 36.8"H X 25.5"D	28.4 CU. FT. (10'H X 10.5"D UPPER)
R3	ROLL-UP	50.5"W X 55.4"H	58.4"W X 66"H X 25.8"D	47.9 CU. FT. (10'H X 10.5"D UPPER)

COMPT	DOORS	OPENING DIMENSIONS	INSIDE DIMENSIONS	VOLUME
A1	ROLL-UP	40.5"W X 18.8"H	28"H X 45"W X 31"D	21.6 CU. FT.
				TOTAL: 281.4 CU.FT.



**SUTPHEN**  
CITY OF SAVANNAH FIRE DEPARTMENT  
SAVANNAH, GA  
CUSTOM PUMPER - S9  
SAVANNAH, GA (2019 S9) DWG

DRAWN BY: M. CLARK  
DATE: 08/24/20  
DATE: 07/24/20  
DATE: 07/10/20

REV	DESCRIPTION	DATE	BY
H	COMPONENT REPORT UPDATED	10/19/20	MJC
G	ADDED DIAMOND PLATE TO THE CAB ROOF / COMPONENT REPORT UPDATED	08/24/20	MJC
F	COMPONENT REPORT UPDATED	07/24/20	MJC
E	COMPONENT REPORT UPDATED	07/10/20	MJC

THIS PRINT IS PROVIDED ON A RESTRICTED BASIS AND IS NOT TO BE USED IN ANY WAY DETRIMENTAL TO THE INTEREST OF SUTPHEN CORPORATION.

**CUSTOMER APPROVAL**

NAME: \_\_\_\_\_  
TITLE: \_\_\_\_\_  
DATE: \_\_\_\_\_

DIMENSIONS SHOWN ON THIS DRAWING ARE APPROXIMATE AND ARE SUBJECT TO MINOR DEVIATIONS DURING CONSTRUCTION.  
IN THE EVENT OF A DISCREPANCY BETWEEN THE SUTPHEN SPECIFICATIONS AND DRAWING, THE SUTPHEN SPECIFICATIONS SHALL PREVAIL.  
DRAWING IS FOR REFERENCE ONLY. SOME ITEMS PROPOSED MAY NOT BE SHOWN OR NOTED.