

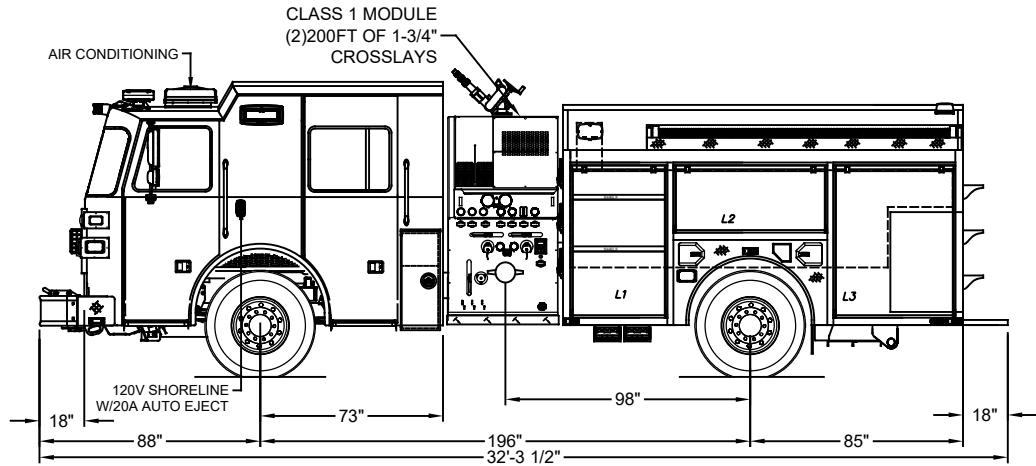
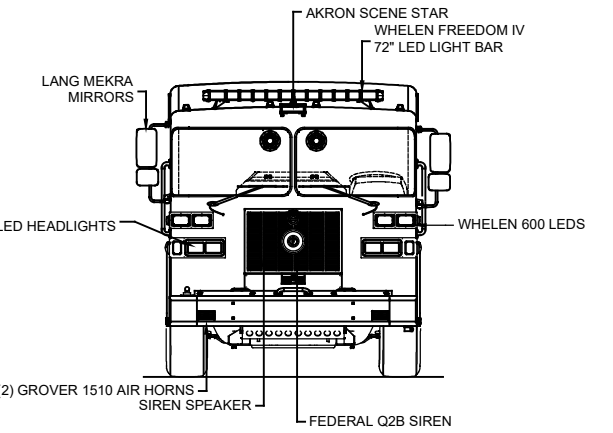
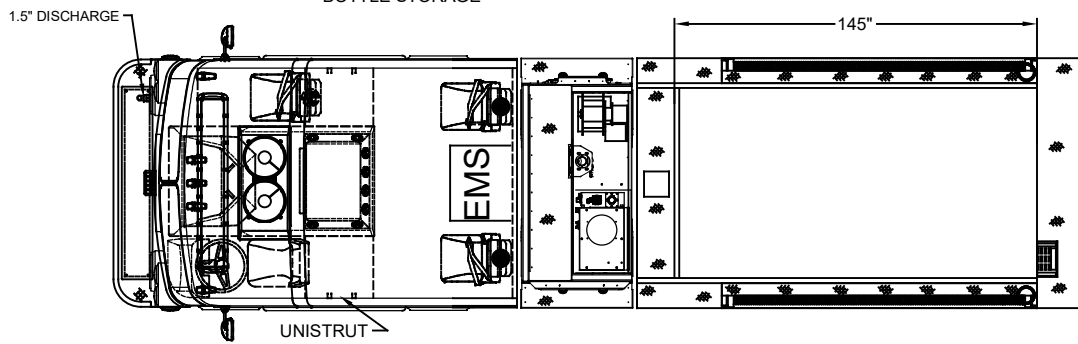
LEFT SIDE COMPARTMENTATION				
COMPT	DOORS	OPENING DIMENSIONS	INSIDE DIMENSIONS	VOLUME
L1	ROLL-UP	37" w X 56 7/8" h	43" w X 66" h X 27 1/4" d	40 CU. FT.
L2	ROLL-UP	57" w X 22 5/8" h	64" w X 32" h X 27 1/4" d	30 CU. FT.
L3	ROLL-UP	47" w X 56 7/8" h	53" w X 66" h X 27 1/4" d	52 CU. FT.

RIGHT SIDE COMPARTMENTATION				
COMPT	DOORS	OPENING DIMENSIONS	INSIDE DIMENSIONS	VOLUME
R1	ROLL-UP	37" w X 56 7/8" h	43" w X 66" h X 27 1/4" d (11 1/4" d upper)	26 CU. FT.
R2	ROLL-UP	57" w X 27 5/8" h	64" w X 33" h X 11 1/4" d	13 CU. FT.
R3	ROLL-UP	47" w X 56 7/8" h	53" w X 66" h X 27 1/4" d (11 1/4" d upper)	34 CU. FT.

REAR STEP COMPARTMENTS				
COMPT	DOORS	OPENING DIMENSIONS	INSIDE DIMENSIONS	VOLUME
A1	ROLL-UP	37 1/2" w X 31" h	40" h X 42" w X 27 1/4" d	27 CU. FT.

TOTAL: 222 CU. FT.

Hale Qmax 1500 single stage
Water Tank Capacity 750 gal



DIMENSIONS SHOWN ON THIS DRAWING ARE APPROXIMATE AND ARE SUBJECT TO MINOR DEVIATIONS DURING CONSTRUCTION.	CUSTOMER APPROVAL				DRAWN BY: S.DORFMAN	
	NAME: _____	C	CHANGES FROM CHANGE ORDER C	SED	4/20/20	DATE: 7/16/2019
IN THE EVENT OF A DISCREPANCY BETWEEN THE SUTPHEN SPECIFICATIONS AND DRAWING, THE SUTPHEN SPECIFICATIONS SHALL PREVAIL.	TITLE: _____	B	CHANGES FROM CHANGE ORDER B	SED	2/21/20	MFG. FACILITY: EAST
DRAWING IS FOR REFERENCE ONLY. SOME ITEMS PROPOSED MAY NOT BE SHOWN OR NOTED.	DATE: _____	A	CHANGES FROM CHANGE ORDER A	SED	10/28/19	MFG. FACILITY: EAST
		REV.	DESCRIPTION	BY	DATE	

THIS PRINT IS PROVIDED ON A RESTRICTED BASIS AND IS NOT TO BE USED IN ANY WAY DETRIMENTAL TO THE INTEREST OF SUTPHEN CORPORATION.



ELMIRA FIRE DEPARTMENT
ELMIRA, NEW YORK

ALUMINUM PUMPER-S2 BODY

DWG. NO.: HS-6619