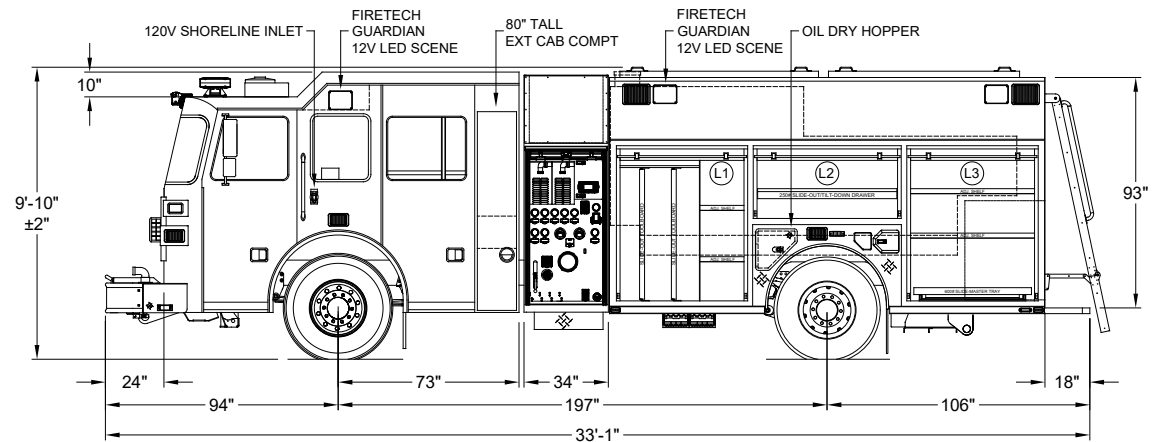
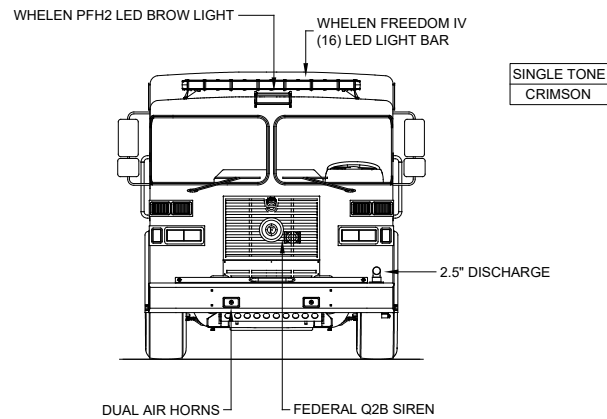
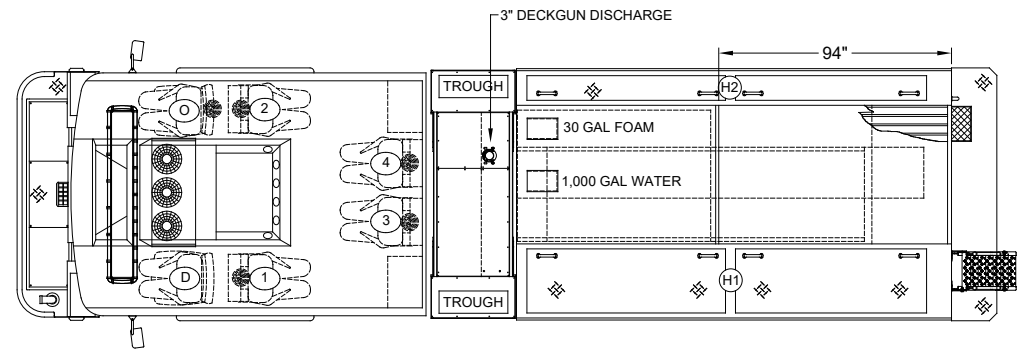


LEFT SIDE COMPARTMENTS				
COMPT	DOORS	OPENING DIMENSIONS	INSIDE DIMENSIONS	VOLUME
L1	ROLL-UP	50.5" w X 55.4" h	56.1" w X 66" h X 27.3" d	58.5 CU. FT.
L2	ROLL-UP	57.5" w X 18.2" h	61.6" w X 32.8" h X 27.3" d	31.9 CU. FT.
L3	ROLL-UP	50.5" w X 55.4" h	52.4" w X 66" h X 27.3" d	55.7 CU. FT.
H1	LIFT-UP	(2) 23.25" l X 73.25" w	174.7" w X 23.6" h X 29.2" d	69.7 CU. FT.

RIGHT SIDE COMPARTMENTS				
COMPT	DOORS	OPENING DIMENSIONS	INSIDE DIMENSIONS	VOLUME
R1	ROLL-UP	50.5" w X 55.4" h	56.1" w X 66" h X 27.3" d	58.5 CU. FT.
R2	ROLL-UP	57.5" w X 18.2" h	61.6" w X 32.8" h X 27.3" d	31.9 CU. FT.
R3	ROLL-UP	50.5" w X 55.4" h	52.4" w X 66" h X 27.3" d	55.7 CU. FT.
H2	LIFT-UP	(2) 8.8" l X 73.25" w	174.7" w X 23.6" h X 12.6" d	30.0 CU. FT.

REAR STEP COMPARTMENT				
COMPT	DOORS	OPENING DIMENSIONS	INSIDE DIMENSIONS	VOLUME
A1	ROLL-UP	37.5" w X 30.8" h	40" h X 40" w X 31" d	28.7 CU. FT.
				TOTAL: 420.6 CU.FT.



DIMENSIONS SHOWN ON THIS DRAWING ARE APPROXIMATE AND ARE SUBJECT TO MINOR DEVIATIONS DURING CONSTRUCTION.

IN THE EVENT OF A DISCREPANCY BETWEEN THE SUTPHEN SPECIFICATIONS AND DRAWING, THE SUTPHEN SPECIFICATIONS SHALL PREVAIL.

DRAWING IS FOR REFERENCE ONLY. SOME ITEMS PROPOSED MAY NOT BE SHOWN OR NOTED.

CUSTOMER APPROVAL

NAME: _____

TITLE: _____

DATE: _____

REV.	DESCRIPTION	BY	DATE
F	REV-F SHOP ORDER (ADDED GPS)	KMG	04/23/20
E	REV-E SHOP ORDER (PAINT CHANGE)	KMG	04/01/20
D	REV-D SHOP ORDER	KMG	03/19/20
C	REV-C SHOP ORDER	KMG	03/06/20

DRAWN BY: K. GOON

DATE: 01/07/20

MFG. FACILITY: DUBLIN

SUTPHEN

DEMO 473

CUSTOM PUMPER - S8 BODY (CSMRD)

DWG. NO.: HS-6616

THIS PRINT IS PROVIDED ON A RESTRICTED BASIS AND IS NOT TO BE USED IN ANY WAY DETRIMENTAL TO THE INTEREST OF SUTPHEN CORPORATION.