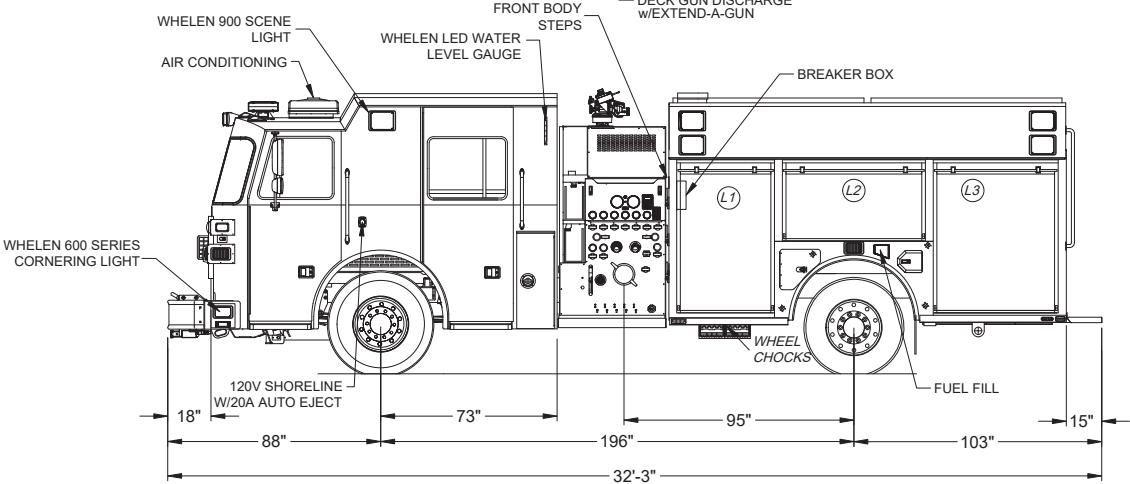
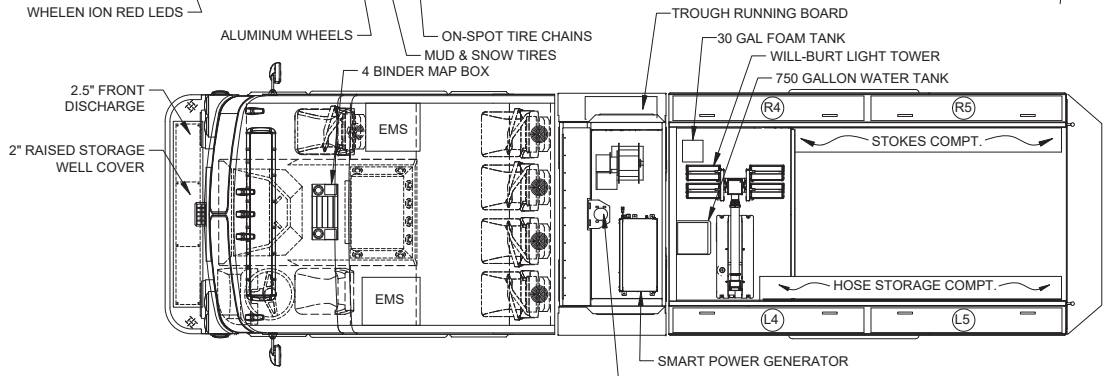
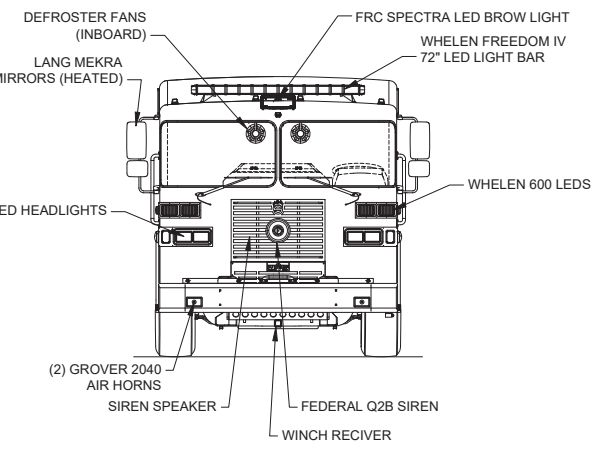


LEFT SIDE COMPARTMENTATION				
COMPT	DOORS	INSIDE DIMENSIONS	DOOR OPENING DIMENSIONS	VOLUME
L1		40"W X 68"H X 26"D		37.4 CU. FT.
L2		59"W X 31 1/2"H X 26"D		28.4 CU. FT.
L3		51 1/2"W X 66"H X 26"D		47.4 CU. FT.

RIGHT SIDE COMPARTMENTATION				
COMPT	DOORS	INSIDE DIMENSIONS	DOOR OPENING DIMENSIONS	VOLUME
R1		40"W X 68"H X 26"D		37.4 CU. FT.
R2		59"W X 31 1/2"H X 26"D		28.4 CU. FT.
R3		51 1/2"W X 66"H X 26"D		47.4 CU. FT.

REAR STEP COMPARTMENT				
COMPT	DOORS	INSIDE DIMENSIONS	DOOR OPENING DIMENSIONS	VOLUME
A1	ROLL-UP	39 1/2"W X 28"H X 31"D	36 3/4"W X 19"H	19.8 CU. FT.

BASE STORAGE: 246 CU. FT.



DIMENSIONS SHOWN ON THIS DRAWING ARE APPROXIMATE AND ARE SUBJECT TO MINOR DEVIATIONS DURING CONSTRUCTION. IN THE EVENT OF A DISCREPANCY BETWEEN THE SUTPHEN SPECIFICATIONS AND DRAWING, THE SUTPHEN SPECIFICATIONS SHALL PREVAIL. DRAWING IS FOR REFERENCE ONLY. SOME ITEMS PROPOSED MAY NOT BE SHOWN OR NOTED.	CUSTOMER APPROVAL					DRAWN BY: V.HUBBARD DATE: 10/2/2019	 HEMPFIELD TOWNSHIP 1132 WOODWARD DRIVE GREENSBURG, PA CUSTOM PUMPER - PROGRAM 1 DWG. NO.: HS-6614
	NAME:		B	REVISED PER REV A OF SHOP ORDER	JNH	2/20/2020	
	TITLE:		A	CHANGED PER CUSTOMER COMMENTS	VPH	11/11/19	
	DATE:		REV.	DESCRIPTION	BY	DATE	

THIS PRINT IS PROVIDED ON A RESTRICTED BASIS AND IS NOT TO BE USED IN ANY WAY DETRIMENTAL TO THE INTEREST OF SUTPHEN CORPORATION.