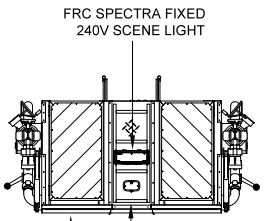
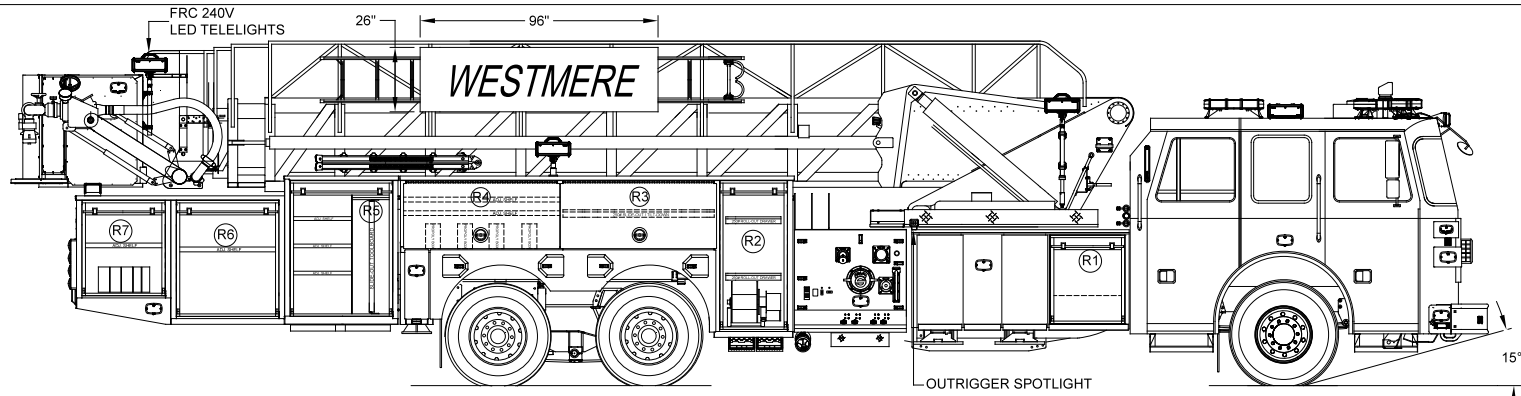
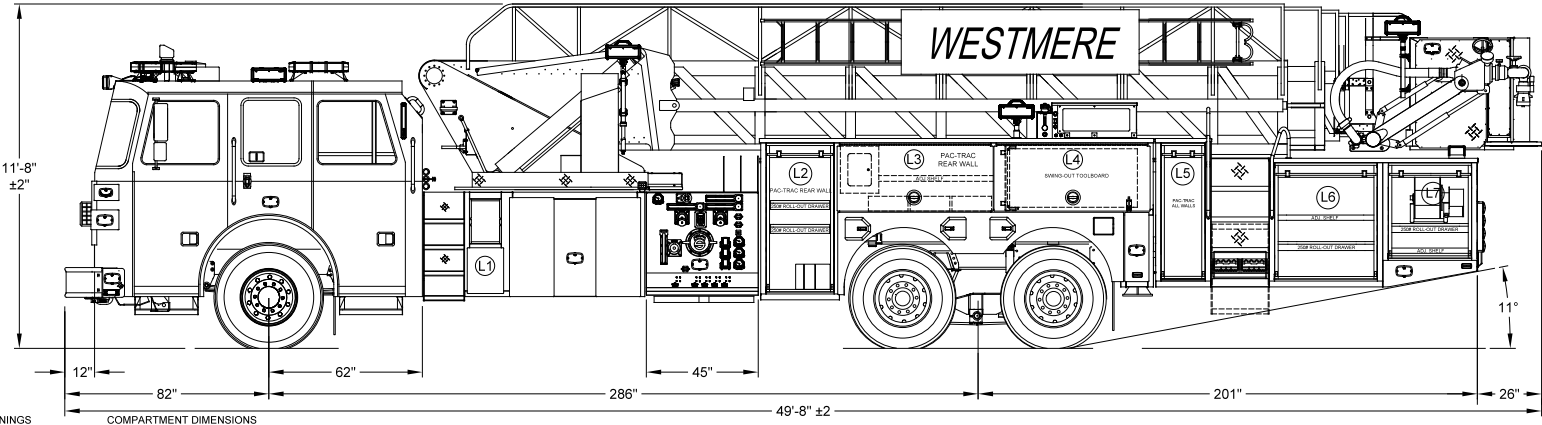
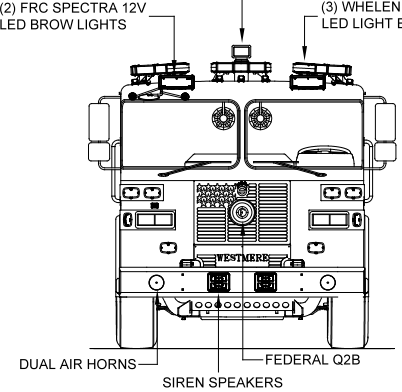
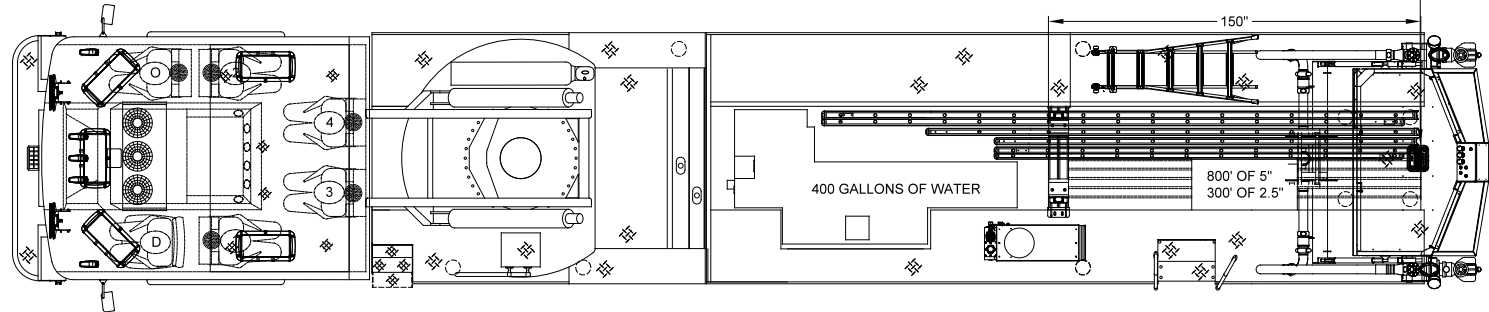


LADDER	CHUTE
20' ROOF	16' ROOF
14' ROOF	14' ROOF
24' 2-SECT.	35' 2-SECT.



TWO TONE CAB
PAINT BREAK OPTION #2
UPPER COLOR: WHITE
LOWER COLOR: RED



DOOR OPENINGS			COMPARTMENT DIMENSIONS		
COMPT.	HEIGHT	WIDTH	HEIGHT	WIDTH	DEPTH
L1	33 1/4	15 3/8	38 1/2	20 3/8	19 3/4
L2	51 3/4	27 1/2	56 1/2	32 1/2	12 1/8
L3	23	57 3/4	27 1/2	62 1/4	12 1/8
L4	23	57 3/4	27 1/2	62 1/4	26 1/2
L5	51 3/4	21	56 1/2	26	26 1/2
L6	43 3/4	35	48 1/2	42	26 1/2
L7	35 3/8	30 3/4	40 1/8	34 3/4	26 1/2

DOOR OPENINGS			COMPARTMENT DIMENSIONS		
COMPT.	HEIGHT	WIDTH	HEIGHT	WIDTH	DEPTH
R1	31	36 3/4	34 3/8	42 1/2	26 1/2
R2	51 3/4	27 1/2	56 1/2	32 1/2	26 1/2
R3	23	57 3/4	27 1/2	62 1/4	26 1/2
R4	23	57 3/4	27 1/2	62 1/4	26 1/2
R5	51 3/4	35 1/2	56 1/2	43 3/4	26 1/2
R6	43 3/4	35 1/2	48 1/2	43 3/4	26 1/2
R7	35 3/8	30 3/4	40 1/8	34 3/4	26 1/2

TOTAL COMPARTMENT VOLUME- 303.5 CU FT.

DOOR OPENINGS			COMPARTMENT DIMENSIONS		
COMPT.	HEIGHT	WIDTH	HEIGHT	WIDTH	DEPTH
A1	9 1/8	24 1/2	9 7/8	26	88

DIMENSIONS SHOWN ON THIS DRAWING ARE APPROXIMATE AND ARE SUBJECT TO MINOR DEVIATIONS DURING CONSTRUCTION.

IN THE EVENT OF A DISCREPANCY BETWEEN THE SUTPHEN SPECIFICATIONS AND DRAWING, THE SUTPHEN SPECIFICATIONS SHALL PREVAIL.

DRAWING IS FOR REFERENCE ONLY. SOME ITEMS PROPOSED MAY NOT BE SHOWN OR NOTED.

CUSTOMER APPROVAL

NAME: _____

TITLE: _____

DATE: _____

REV	DESCRIPTION	BY	DATE
T	REV-T SHOP ORDER/REFERENCE SHOP ORDER CHANGE DOCUMENT ON SHARED DRIVE	JL	02/26/2021
S	REV-S SHOP ORDER/REFERENCE SHOP ORDER CHANGE DOCUMENT ON SHARED DRIVE	JL	02/18/2021
R	REV-R SHOP ORDER/REFERENCE SHOP ORDER CHANGE DOCUMENT ON SHARED DRIVE	JL	02/05/2021
Q	REV-Q SHOP ORDER/REFERENCE SHOP ORDER CHANGE DOCUMENT ON SHARED DRIVE	JL	01/27/2021

DRAWN BY: J.LAMBERT
DATE: 11/07/19
MFG. FACILITY: DUBLIN

WESTMERE FIRE DEPARTMENT
ALBANY, NY

SPH112 AERIAL PLATFORM
HS-6598