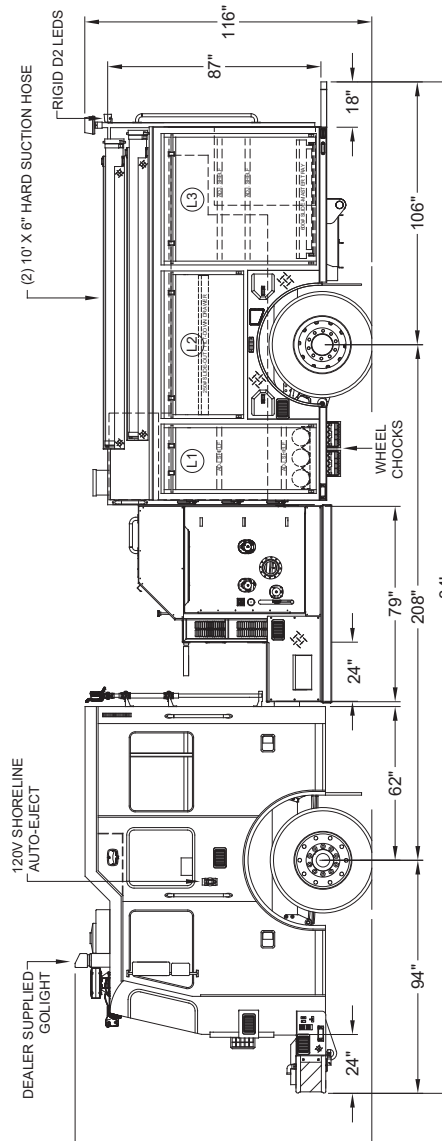
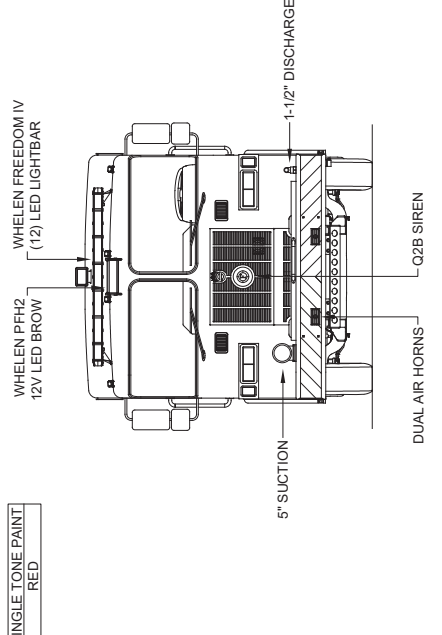
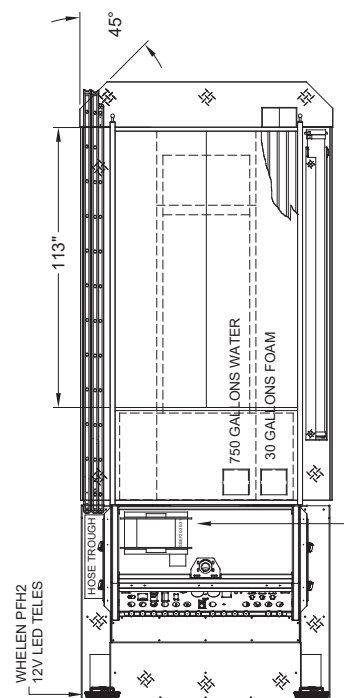


COMPT	DOORS	OPENING DIMENSIONS	INSIDE DIMENSIONS	VOLUME
L1	ROLL-UP	26.5"W X 55.4"H	31.1"W X 60.7" X 27.3"D	29.4 CU. FT. (10.7H X 10.54 UPPER)
L2	ROLL-UP	57.5"W X 28.2"H	61.6"W X 36.8" X 27.3"D	29.8 CU. FT. (10.7H X 10.54 UPPER)
L3	ROLL-UP	50.5"W X 55.4"H	53.4"W X 60.7" X 27.3"D	50.5 CU. FT. (10.7H X 10.54 UPPER)

COMPT	DOORS	OPENING DIMENSIONS	INSIDE DIMENSIONS	VOLUME
R1	ROLL-UP	26.5"W X 49.4"H	31.1"W X 60.7" X 27.3"D	29.3 CU. FT. (4.7H X 10.54 UPPER)
R2	ROLL-UP	57.5"W X 28.2"H	61.6"W X 30.8" X 27.3"D	22.6 CU. FT. (4.7H X 10.54 UPPER)
R3	ROLL-UP	50.5"W X 49.4"H	53.4"W X 60.7" X 27.3"D	48.6 CU. FT. (4.7H X 10.54 UPPER)

COMPT	DOORS	OPENING DIMENSIONS	INSIDE DIMENSIONS	VOLUME
A1	ROLL-UP	37.5"W X 30.9"H	40.7" X 40.7" X 31"D	28.7 CU. FT.
				TOTAL: 242.9 CU. FT.



DIMENSIONS SHOWN ON THIS DRAWING ARE APPROXIMATE AND ARE SUBJECT TO MINOR DEVIATIONS DURING CONSTRUCTION.

IN THE EVENT OF A DISCREPANCY BETWEEN THE SUTPHEN SPECIFICATIONS AND DRAWING, THE SUTPHEN SPECIFICATIONS SHALL PREVAIL.

DRAWING IS FOR REFERENCE ONLY. SOME ITEMS PROPOSED MAY NOT BE SHOWN OR NOTED.

CUSTOMER APPROVAL

NAME: _____

TITLE: _____

DATE: _____

REV.	DESCRIPTION	BY	DATE
J	**REV-J** SHOP ORDER	KG	07/27/20
I	**REV-I** SHOP ORDER	KG	07/01/20
H	**REV-H** SHOP ORDER	KG	06/23/20
G	**REV-G** SHOP ORDER	KG	06/08/20

DRAWN BY: K. GOON
DATE: 06/31/19
MFG FACILITY: DUBLIN
DATE: _____

DESCRIPTION: PALM BEACH COUNTY FIRE RESCUE WEST PALM BEACH, FL
CUSTOM PUMPER - S4 BODY
HS-5575-76

