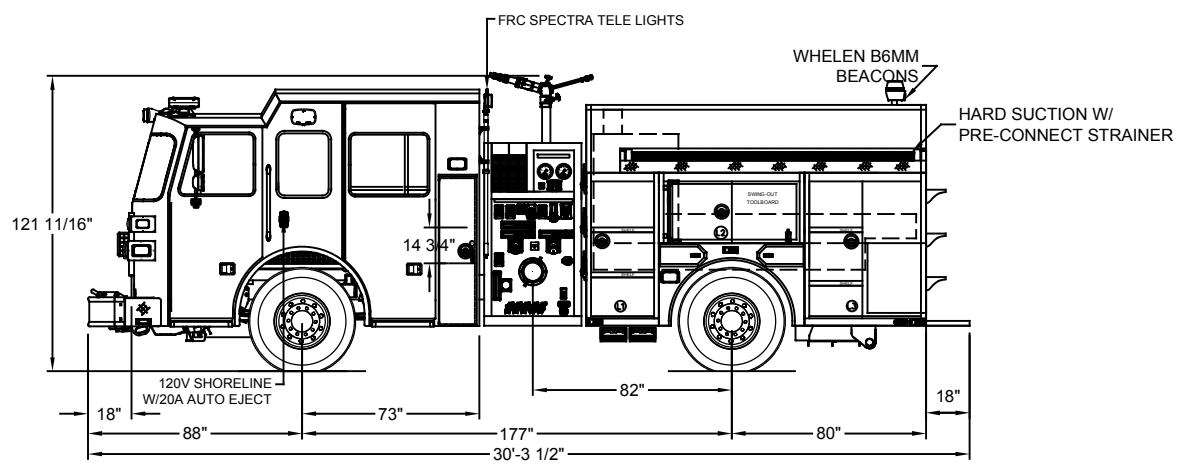
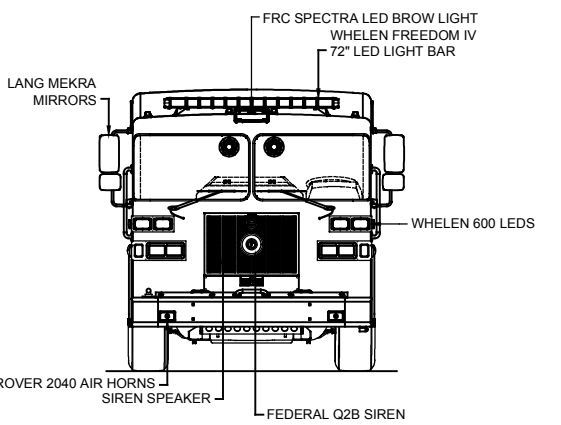
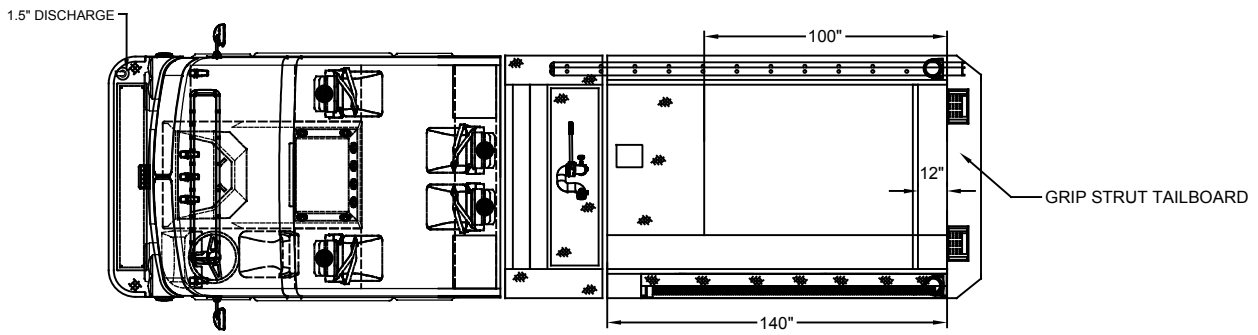


Left Side Compartmentation				
Compt	Doors	Opening Dimensions	Inside Dimensions	Volume
Width				
L1	Hinge	23x49	30x30x24.25	24.8 CU FT
L2	Hinge	53x18	60x30x24.25	23.3 CU FT
L3	Hinge	43x49	50x30x24.25	41.4 CU FT
Right Side Compartmentation				
Compt	Doors	Opening Dimensions	Inside Dimensions	Volume
R1	Hinge	23x49	30x30x24.25	12.6 CU FT
R2	Hinge	43x18	50x30x24.25	21.1 CU FT
Rear Compartmentation				
Compt	Doors	Opening Dimensions	Inside Dimensions	Volume
A1	Hinge	44x28	40x28.75x22.25	22.25 CU FT
HALE QMAX 1500 GPM SINGLE STAGE PUMP WATER TANK CAPACITY: 750 GALLONS				Total Volume
				145.7 CU FT



DIMENSIONS SHOWN ON THIS DRAWING ARE APPROXIMATE AND ARE SUBJECT TO MINOR DEVIATIONS DURING CONSTRUCTION.  IN THE EVENT OF A DISCREPANCY BETWEEN THE SUTPHEN SPECIFICATIONS AND DRAWING, THE SUTPHEN SPECIFICATIONS SHALL PREVAIL.  DRAWING IS FOR REFERENCE ONLY. SOME ITEMS PROPOSED MAY NOT BE SHOWN OR NOTED.	CUSTOMER APPROVAL					DRAWN BY: S.DORFMAN	 STITTVILLE FIRE DISTRICT STITTVILLE, NY CUSTOM STAINLESS PUMPER- PS-10 DRAWG. NO.: HS-6567
	NAME:					DATE: 6/25/19	
	TITLE:					MFG. FACILITY: EAST	
	DATE:						
	REV. A	CHANGES FROM CHANGE ORDER A		SED	8/22/19		
				BY	DATE		
THIS PRINT IS PROVIDED ON A RESTRICTED BASIS AND IS NOT TO BE USED IN ANY WAY DETRIMENTAL TO THE INTEREST OF SUTPHEN CORPORATION.							