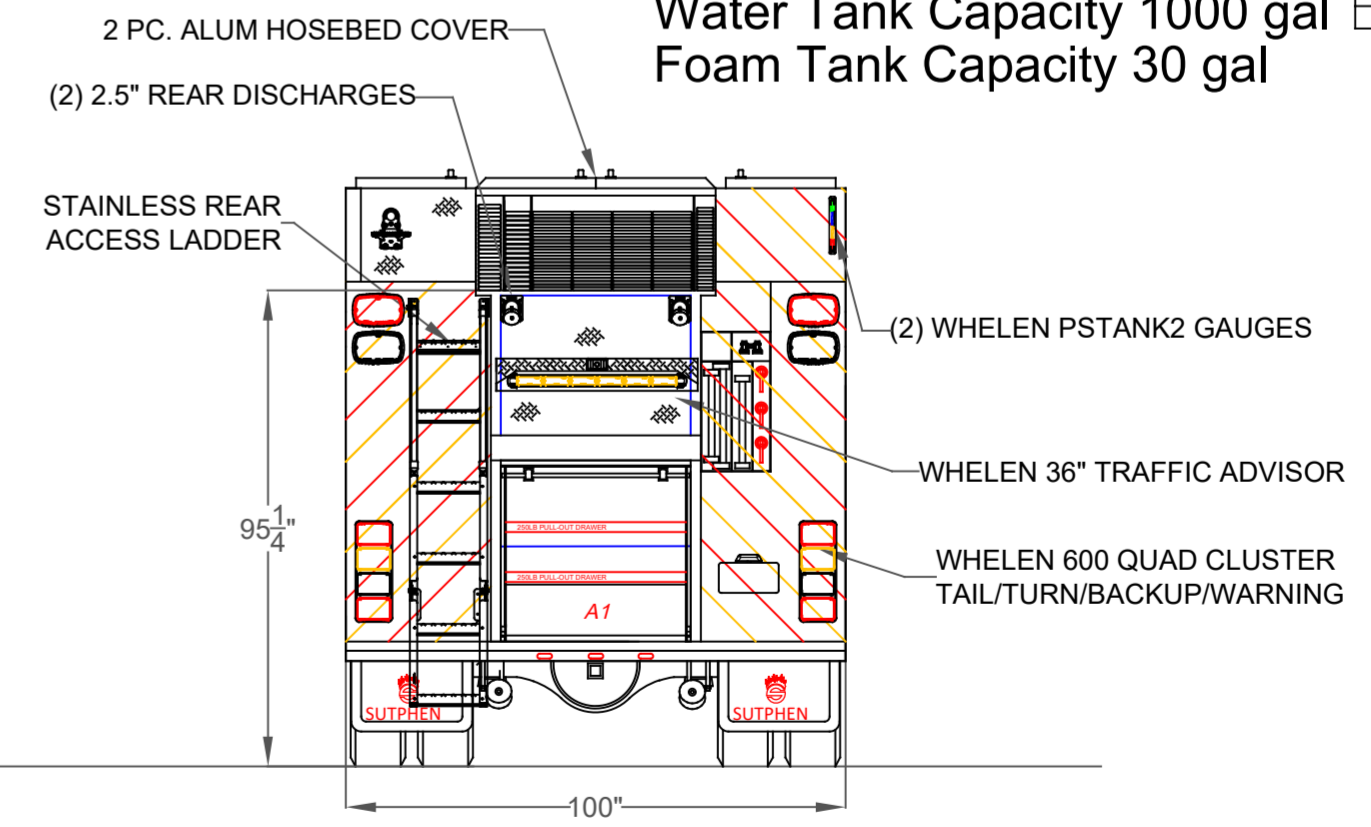
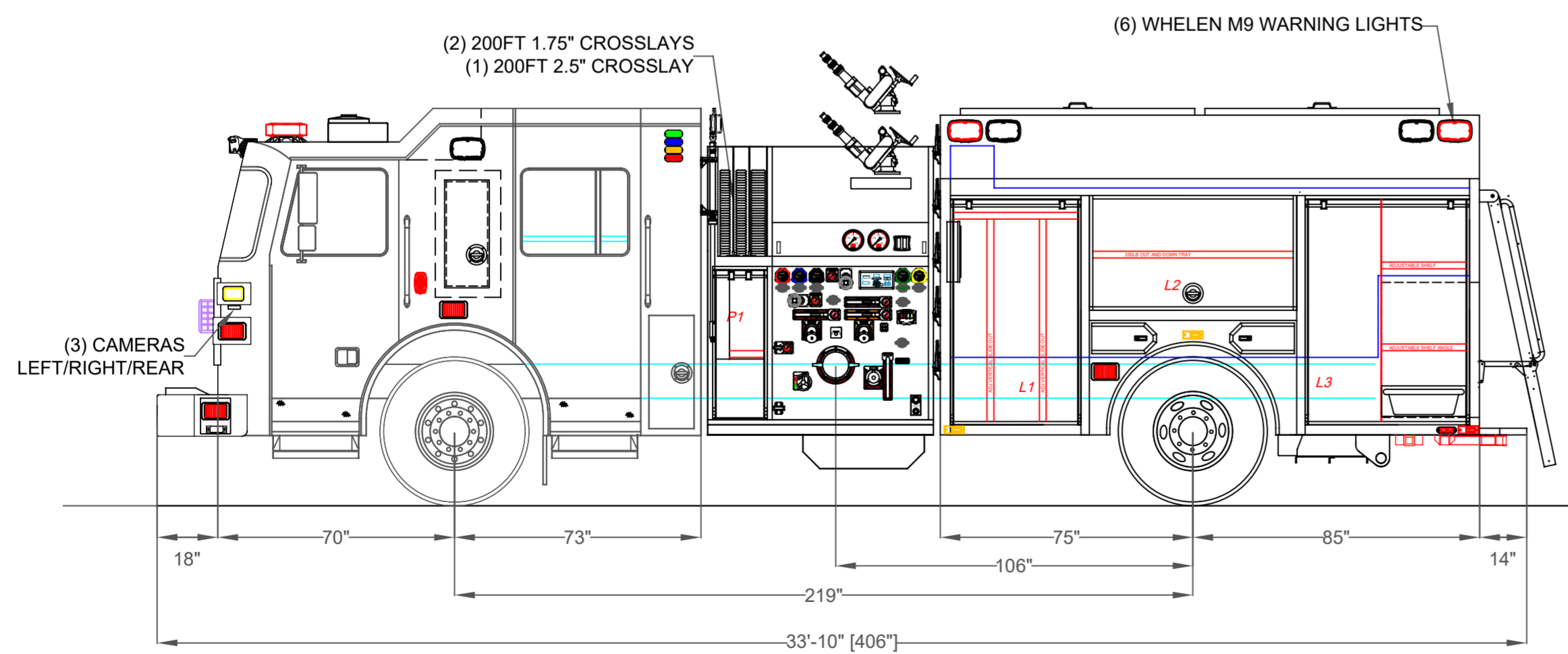


Hose Load
 1:200ft of 2.5"
 2:350ft of 3"
 3:1000ft of 5"
 4:250ft of 1 3/4"

Left Side Compartmentation				
Compt	Doors	Opening Dimensions	Inside Dimensions	Volume
WxHxD				
L1	Hinged	35x66	42x72x27.25	47.7 CU FT
L2	Hinged	59x32	66x38x27.25	39.6 CU FT
L3	Hinged	45x66	52x72x27.25	57.8 CU FT
Right Side Compartmentation				
Compt	Doors	Opening Dimensions	Inside Dimensions	Volume
R1	Hinged	35x66	42x72x27.25/10.25	32.0 CU FT
R2	Hinged	59x32	66x38x10.25	14.9 CU FT
R3	Hinged	45x66	52x72x27.25/10.25	39.6 CU FT
Rear Compartmentation				
Compt	Doors	Opening Dimensions	Inside Dimensions	Volume
A1	Roll Up	38x30	42x40x26.25	21.6 CU FT
Coffin Compartmentation				
Compt	Doors	Opening Dimensions	Inside Dimensions	Volume
LxHxW				
LH	Hatch	(2) 69.5x22	160x19x26	57.8 CU FT
RH	Hatch	(2) 69.5x22	160x19x26	57.8 CU FT

Total Volume
369.9 CU FT

Hale Qmax 2000 single stage
 Water Tank Capacity 1000 gal
 Foam Tank Capacity 30 gal



DIMENSIONS SHOWN ON THIS DRAWING ARE APPROXIMATE AND ARE SUBJECT TO MINOR DEVIATIONS DURING CONSTRUCTION.	CUSTOMER APPROVAL			REV.	DESCRIPTION	BY	DATE	DRAWN BY:	SUTPHEN EAST 55 INNOVATION DRIVE LAKE ARIEL, PA 1-844-776-2889
	IN THE EVENT OF A DISCREPANCY BETWEEN THE SUTPHEN SPECIFICATIONS AND DRAWING, THE SUTPHEN SPECIFICATIONS SHALL PREVAIL.	NAME:						J. GORDON	
DRAWING IS FOR REFERENCE ONLY. SOME ITEMS PROPOSED MAY NOT BE SHOWN OR NOTED.	TITLE:							DATE:	TOWN OF NORTH HAVEN NORTH HAVEN, CT
	DATE:							08/13/2019	PA-17 CUSTOM PUMPER
								MFG. FACILITY:	HS 6565
								SUTPHEN EAST LAKE ARIEL, PA	DWG. NO.:
									HS 6565

THIS PRINT IS PROVIDED ON A RESTRICTED BASIS AND IS NOT TO BE USED IN ANY WAY DETRIMENTAL TO THE INTEREST OF SUTPHEN CORPORATION.