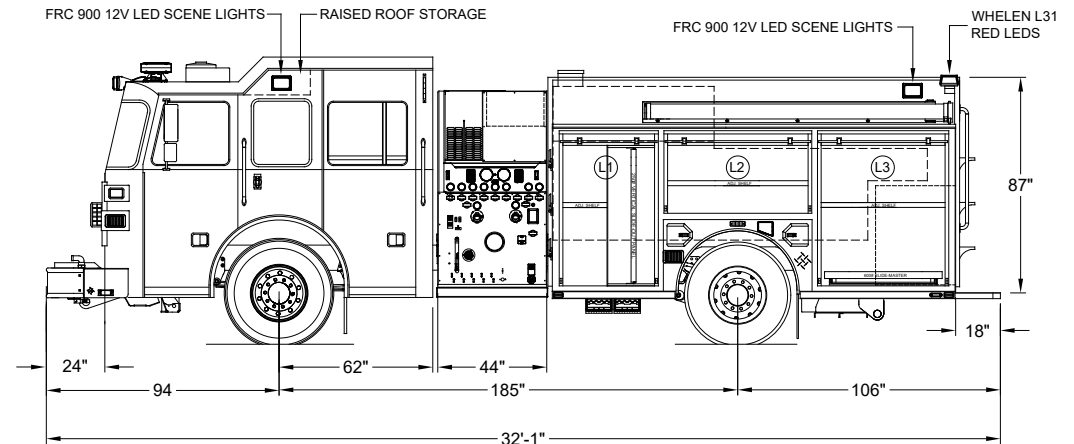
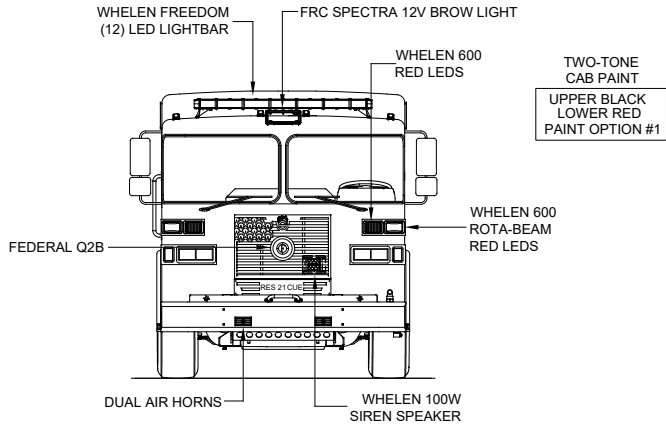
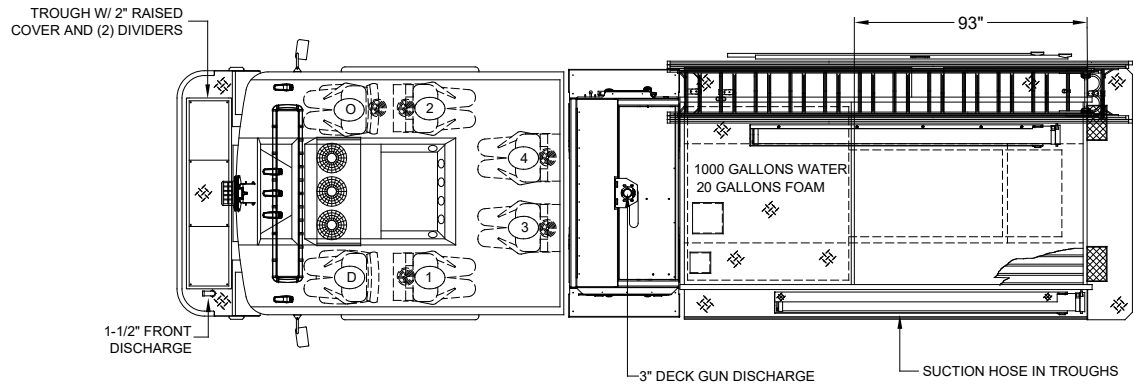


LEFT SIDE COMPARTMENTS				
COMPT	DOORS	OPENING DIMENSIONS	INSIDE DIMENSIONS	VOLUME
L1	ROLL-UP	37.5\"/>		

RIGHT SIDE COMPARTMENTS				
COMPT	DOORS	OPENING DIMENSIONS	INSIDE DIMENSIONS	VOLUME
R1	ROLL-UP	37.5\"/>		

REAR STEP COMPARTMENT				
COMPT	DOORS	OPENING DIMENSIONS	INSIDE DIMENSIONS	VOLUME
A1	ROLL-UP	37.5\"/>		

TOTAL: 262.5 CU.FT.



DIMENSIONS SHOWN ON THIS DRAWING ARE APPROXIMATE AND ARE SUBJECT TO MINOR DEVIATIONS DURING CONSTRUCTION.

IN THE EVENT OF A DISCREPANCY BETWEEN THE SUTPHEN SPECIFICATIONS AND DRAWING, THE SUTPHEN SPECIFICATIONS SHALL PREVAIL.

DRAWING IS FOR REFERENCE ONLY. SOME ITEMS PROPOSED MAY NOT BE SHOWN OR NOTED.

CUSTOMER APPROVAL

NAME: _____

TITLE: _____

DATE: _____

REV.	DESCRIPTION	BY	DATE
E	REV-E SHOP ORDER (POST PRODUCTION)	KMG	05/29/20
D	REV-D SHOP ORDER	KMG	03/31/20
C	REV-C SHOP ORDER	KMG	02/18/20
B	REV-B SHOP ORDER	KMG	02/04/20

DRAWN BY: K. GOON

DATE: 10/28/19

MFG. FACILITY: DUBLIN

SUTPHEN

CARDINGTON FIRE DEPARTMENT
CARDINGTON, OH

CUSTOM PUMPER - S3 BODY

HS-6560