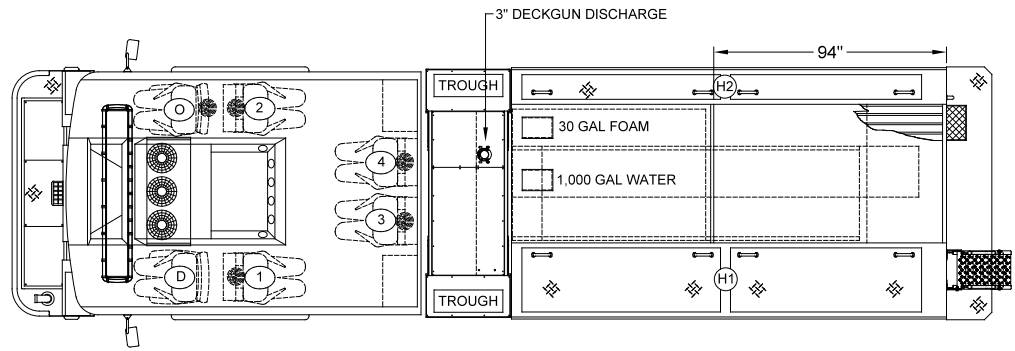


LEFT SIDE COMPARTMENTS				
COMPT	DOORS	OPENING DIMENSIONS	INSIDE DIMENSIONS	VOLUME
L1	ROLL-UP	50.5\"/>		

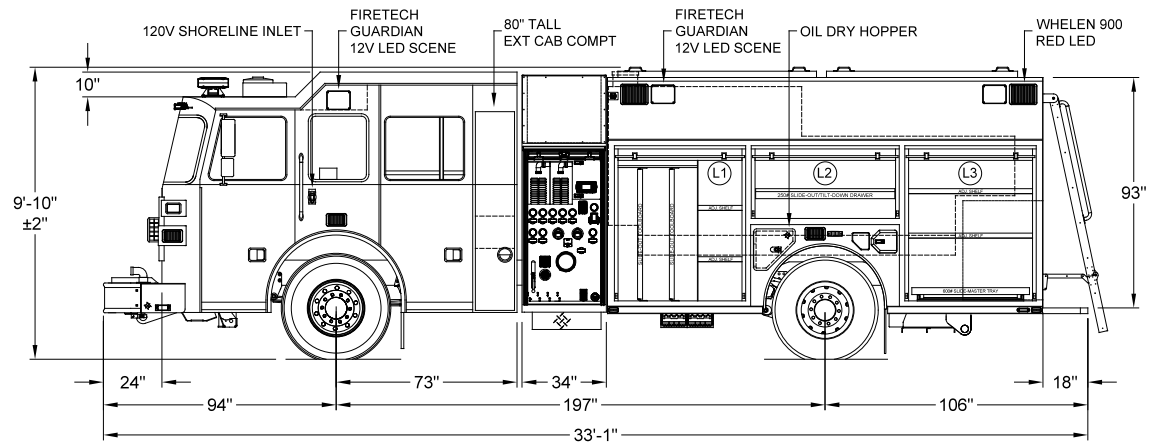
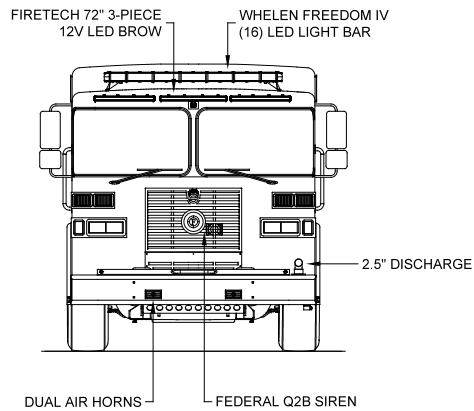
RIGHT SIDE COMPARTMENTS				
COMPT	DOORS	OPENING DIMENSIONS	INSIDE DIMENSIONS	VOLUME
R1	ROLL-UP	50.5\"/>		

REAR STEP COMPARTMENT				
COMPT	DOORS	OPENING DIMENSIONS	INSIDE DIMENSIONS	VOLUME
A1	ROLL-UP	37.5\"/>		

TOTAL: 420.6 CU.FT.



TWO-TONE CAB, BODY, PUMP MODULE
BLACK OVER RED



DIMENSIONS SHOWN ON THIS DRAWING ARE APPROXIMATE AND ARE SUBJECT TO MINOR DEVIATIONS DURING CONSTRUCTION.

IN THE EVENT OF A DISCREPANCY BETWEEN THE SUTPHEN SPECIFICATIONS AND DRAWING, THE SUTPHEN SPECIFICATIONS SHALL PREVAIL.

DRAWING IS FOR REFERENCE ONLY. SOME ITEMS PROPOSED MAY NOT BE SHOWN OR NOTED.

CUSTOMER APPROVAL

NAME: _____

TITLE: _____

DATE: _____

REV	DESCRIPTION	BY	DATE
J	REMOVED SWING-OPEN DOORS OVER TRANSVERSE PORTION OF EXTERIOR CAB COMPTS	RM	11/26/19
I	ADDED SWING-OPEN DOORS OVER TRANSVERSE PORTION OF EXTERIOR CAB COMPTS	RM	09/27/19
H	CHANGED TO RED LENSES FOR UPPER ZONE C WHELEN 900 WARNING LIGHTS ON REAR OF BODY	RM	09/18/19
G	DEEPER COMPARTMENT SHELVES PER NEW ENGINEERING DESIGN PROTOTYPE	RM	08/22/19

DRAWN BY:
R MILLER

DATE:
03/17/19

MFG. FACILITY:
DUBLIN

DEMO 463

CUSTOM PUMPER - S8 BODY (CSMRD)

HS-6516