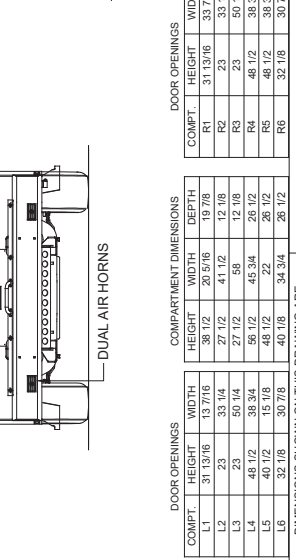
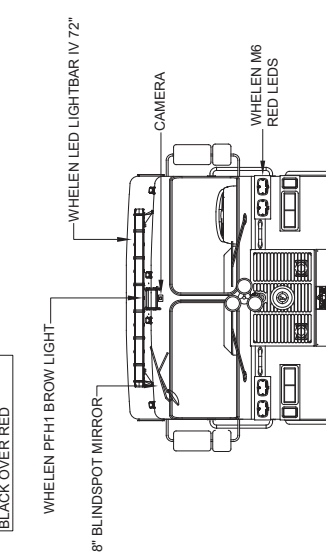
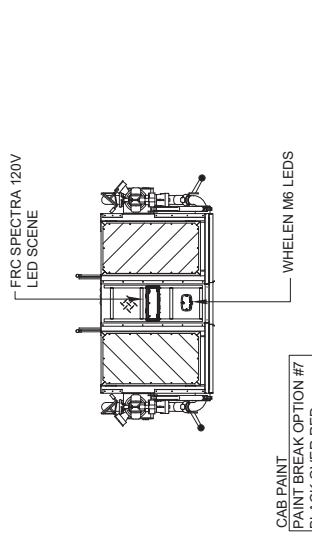
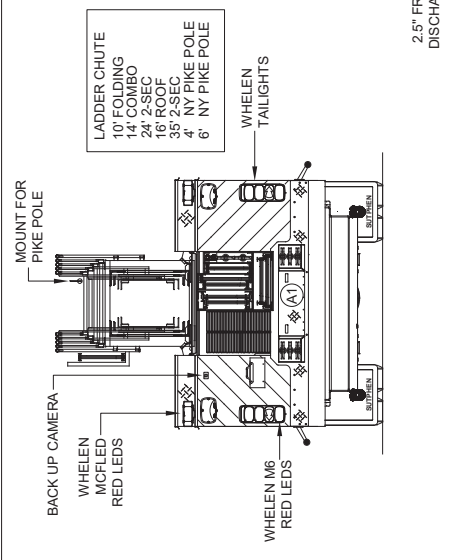


DOOR OPENINGS		COMPARTMENT DIMENSIONS		DOOR OPENINGS		COMPARTMENT DIMENSIONS	
COMPT.	HEIGHT	WIDTH	DEPTH	COMPT.	HEIGHT	WIDTH	DEPTH
L1	31.13/16	13.71/16	20.5/16	R1	31.13/16	33.71/16	27.1/2
L2	23	33.1/4	27.1/2	R2	23	33.1/4	26.1/2
L3	23	50.1/4	27.1/2	R3	23	50.1/4	26.1/2
L4	48.1/2	38.3/4	26.1/2	R4	48.1/2	38.3/4	26.1/2
L5	40.1/2	15.1/8	22	R5	48.1/2	38.3/4	26.1/2
L6	32.1/8	30.7/8	49.1/8	R6	32.1/8	30.7/8	26.1/2
TOTAL COMPARTMENT VOLUME - 287.99 CU.FT.							



CUSTOMER APPROVAL

NAME: _____

TITLE: _____

DATE: _____

DIMENSIONS SHOWN ON THIS DRAWING ARE APPROXIMATE AND ARE SUBJECT TO MINOR DEVIATIONS DURING CONSTRUCTION.

IN THE EVENT OF A DISCREPANCY BETWEEN THE SUTPHEN SPECIFICATIONS AND DRAWING, THE SUTPHEN SPECIFICATIONS SHALL PREVAIL.

DRAWING IS FOR REFERENCE ONLY. SOME ITEMS PROPOSED MAY NOT BE SHOWN OR NOTED.

THIS PRINT IS PROVIDED ON A RESTRICTED BASIS AND IS NOT TO BE USED IN ANY WAY DETRIMENTAL TO THE INTEREST OF SUTPHEN CORPORATION.

REV.	DESCRIPTION	DATE	BY	KG
J	REV-J SHOP ORDER	01/20/22	KG	01/20/22
I	REV-I SHOP ORDER	12/03/19	KG	12/03/19
H	REV-H SHOP ORDER	11/28/19	KG	11/28/19
G	REV-G SHOP ORDER	06/28/19	KG	06/28/19
F				
E				
D				
C				
B				
A				